

QuickStand Series

Section 1: Screen Design

1.1 What is it for?

QuickStand is a portable folding fixed frame screen that is ideal for rental & staging applications such as concerts, public speaking events, large corporate meetings, house of worship presentations, or indoor/outdoor residential projection.

1.2 How does it work?

The QuickStand is designed and built to offer a larger than life video presentation in a comparatively small package. It sets up and disassembles through an ingenious system of folding components to accommodate virtually any Audio-Video presentation.

Section 2: Screen Material

2.1 Characteristics

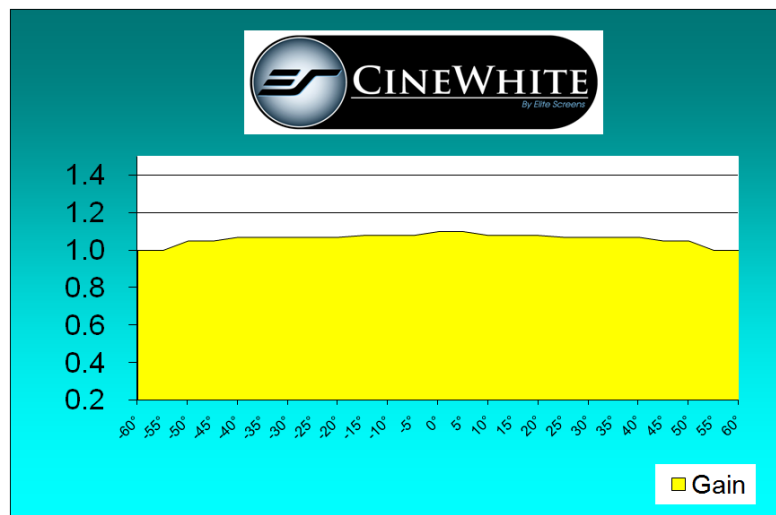
2.1.1 Tensioned PVC Front Projection Material

CineWhite (Tension White) has broad light dispersion through diffusion uniformity, black & white contrast and true color rendition making it the most versatile material in Elite’s tension screen product lines. This tension PVC surface is the best choice for today’s high-contrast ratio projector in commercial or residential presentations. The



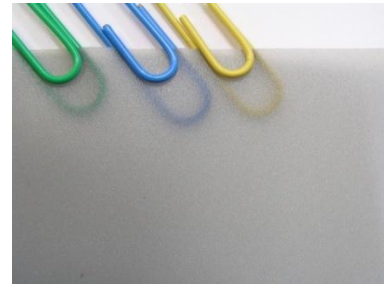
CineWhite matte white material equals the performance to our Max-White product, but improves the experience with superior surface flatness. Uniform diffusion surface has black backing to eliminate light penetration and is easily washable with mild soap and water.

- Gain: 1.1
- View Angle: 160° (80° LR)
- Screen Surface can be easily cleaned
- Multi-Layer PVC with Texture and Surface Coating
- Mildew Resistant • Flame Retardant

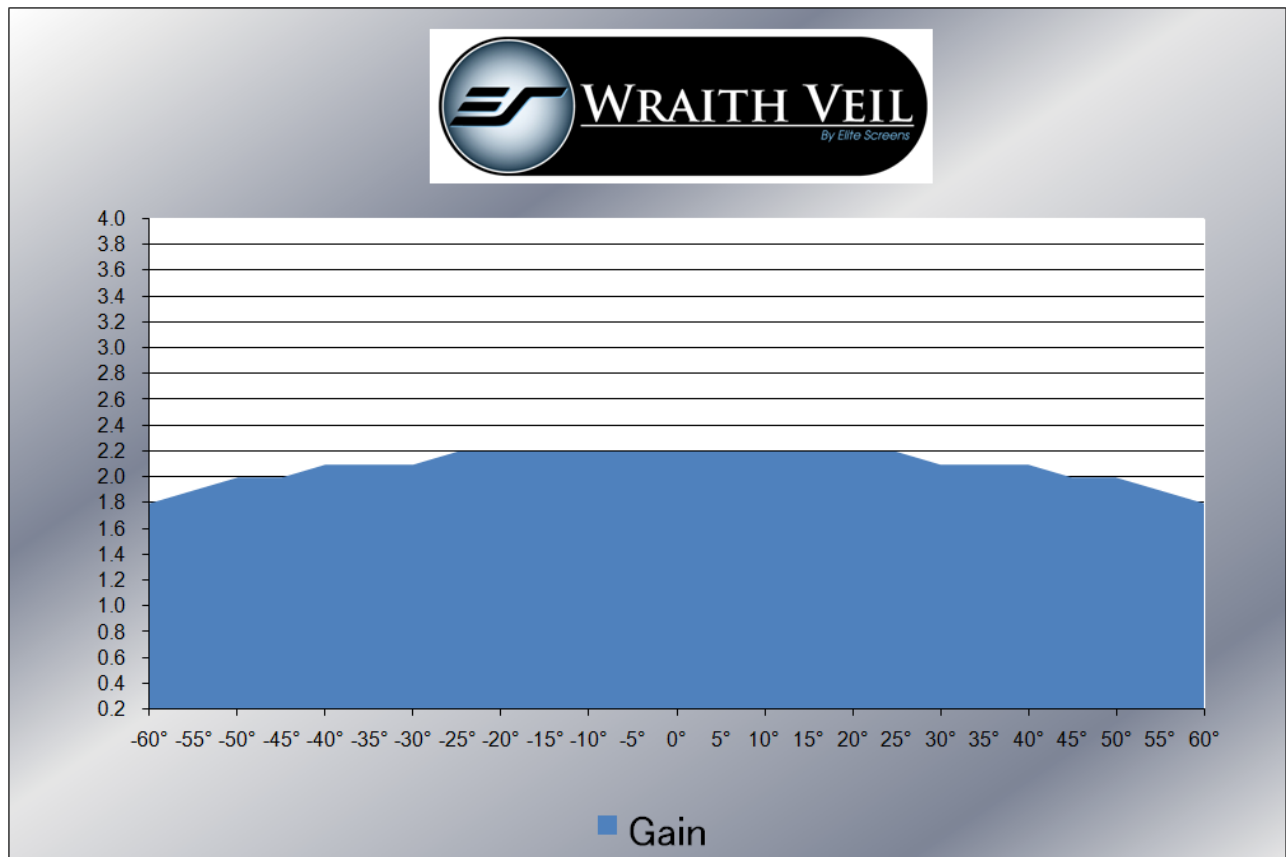


2.1.2 Tensioned PVC Rear Projection Material

Wraith Veil is our rear projection screen material. It has a high gain performance for applications with a high ambient light intrusion. Its 2.2 gain configuration is ideal for events such as clubs, restaurants, tradeshow, meeting rooms, and outside evening presentations. Its special surface coating enhances color reproduction and black level contrast with wide uniformity for large audiences. Seamless screen sizes are available in sizes up to 200" in 4:3 or 16:9 aspect ratios.



- Gain: 2.2
- View Angle: 160° (80° LR)
- Screen Surface can be easily cleaned
- Textured PVC with Surface Coating
- Mildew Resistant
- Flame Retardant



Section 3: Execution

3.1 Submittals

- Frame
- Support (T) Legs
- AT-Legs (*Included with 150"+ sizes)
- SAT-Legs (*Included with 180+ sizes)
- CineWhite Screen Fabric
- Locking Bolts
- Frame Spacer (aka. Bushing)
- Users Guide
- Product Catalog

3.2 Caution

1. Never use your exposed hand to touch the screen surface because of grease from the skin.
2. Never scabble on the screen with anything.
3. Don't touch the screen with hard or sharp objects.
4. Please use a clean cotton cloth or soft dust brush to remove any dust particles on the screen.
5. The screen material may be cleaned but care is required to avoid damage.

3.3 Installation

1. Unpack from wheeled rental-staging case
2. Unfold and Secure Leg units (& AT/SAT Buttresses if on 150"+ sized models)
3. Unfold & Secure the screen frame component
4. Attach the leg components to the frame using the screw/bushing attachments
5. Unpack and secure the screen material to the frame (Note* This process requires a ladder but reduces the likelihood of getting the material dirty over attaching it to the frame when it is on the ground.)
6. Optional drape kit may be attached
7. Take-down requires the reversal of steps 1-6

Section 4: Specifications

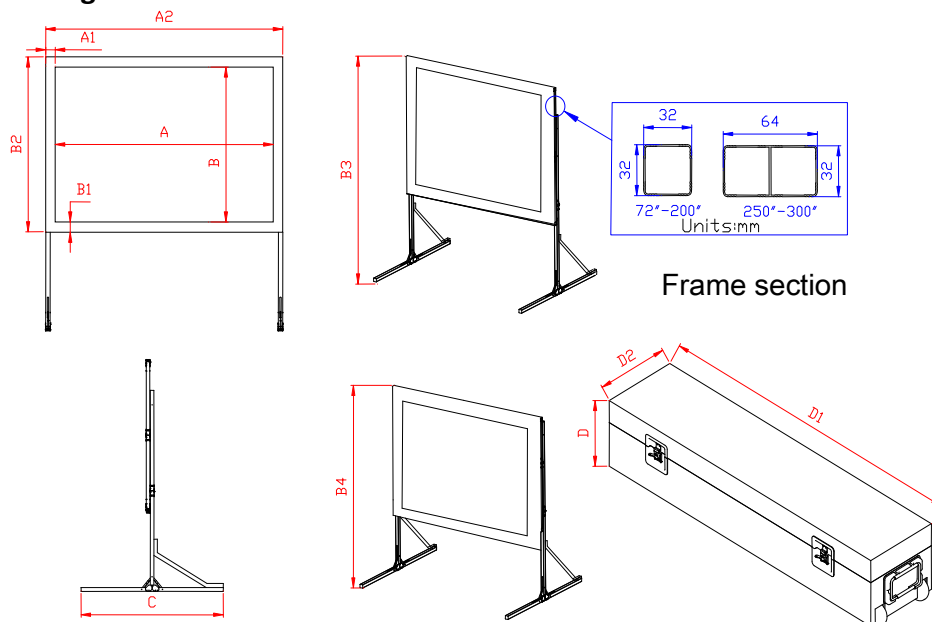
4.1 QuickStand Series

4.1.1 Dimensions Table

Unit: mm										Storage Case Dimensions		
Model	Screen Diag. & Aspect Ratio	View Width (A)	View Height (B)	Left/Right Black Masking (A1)	Top/Bottom Black Masking (B1)	Overall Frame Width (A2)	Overall Frame Height (B2)	Overall Height (B3)	Stand Width (C)	Height (D)	Length (D1)	Width (D2)
Q72V	72" (4:3)	1463.0	1097.3	76.0	76.0	1616.0	1250.0	1687.0	1040.0	225.0	980.0	235.0
Q84V	84" (4:3)	1707.0	1280.2	76.0	76.0	1862.0	1435.0	2300.0	1040.0	225.0	1160.0	235.0
Q100V	100" (4:3)	2032.0	1524.0	76.0	76.0	2187.0	1680.0	2800.0	1040.0	225.0	1160.0	235.0
Q120V	120" (4:3)	2438.4	1828.8	76.0	76.0	2584.0	1984.0	3300.0	1040.0	245.0	1190.0	285.0
Q150V	150" (4:3)	3048.0	2286.0	76.0	76.0	3203.0	2440.0	3500.0	1040.0	280.0	1460.0	285.0
Q180V	180" (4:3)	3657.6	2743.2	76.0	76.0	3810.0	2900.0	4000.0	1040.0	280.0	1715.0	285.0
Q200V	200" (4:3)	4064.0	3048.0	76.0	76.0	4220.0	3203.0	4300.0	1040.0	280.0	1170.0	380.0
Q100H	100" (16:9)	2214.0	1245.0	76.0	76.0	2366.0	1397.0	2500.0	1040.0	225.0	1260.0	235.0
Q120H	120" (16:9)	2657.0	1494.0	76.0	76.0	2809.0	1646.0	3000.0	1040.0	245.0	1060.0	245.0
Q150H	150" (16:9)	3321.0	1868.0	76.0	76.0	3473.0	2020.0	3500.0	1040.0	280.0	1290.0	280.0
Q180H	180" (16:9)	3985.0	2242.0	76.0	76.0	4137.0	2394.0	3800.0	1040.0	280.0	1500.0	280.0
Q200H	200" (16:9)	4428.0	2491.0	76.0	76.0	4580.0	2643.0	4000.0	1040.0	280.0	1660.0	380.0
Unit: inch										Storage Case Dimensions		
Model	Screen Diag. & Aspect Ratio	View Width (A)	View Height (B)	Left/Right Black Masking (A1)	Top/Bottom Black Masking (B1)	Overall Frame Width (A2)	Overall Frame Height (B2)	Overall Height (B3)	Stand Width (C)	Height (D)	Length (D1)	Width (D2)
Q72V	72" (4:3)	57.6	43.2	3.0	3.0	63.6	49.2	66.4	40.9	8.9	38.6	9.3
Q84V	84" (4:3)	67.2	50.4	3.0	3.0	73.3	56.5	90.6	40.9	8.9	45.7	9.3
Q100V	100" (4:3)	80.0	60.0	3.0	3.0	86.1	66.1	110.2	40.9	8.9	45.7	9.3
Q120V	120" (4:3)	96.0	72.0	3.0	3.0	101.7	78.1	129.9	40.9	9.6	46.9	11.2
Q150V	150" (4:3)	120.0	90.0	3.0	3.0	126.1	96.1	137.8	40.9	11.0	57.5	11.2
Q180V	180" (4:3)	144.0	108.0	3.0	3.0	150.0	114.2	157.5	40.9	11.0	67.5	11.2
Q200V	200" (4:3)	160.0	120.0	3.0	3.0	166.1	126.1	169.3	40.9	11.0	46.1	15.0
Q100H	100" (16:9)	87.2	49.0	3.0	3.0	93.1	55.0	98.4	40.9	8.9	49.6	9.3
Q120H	120" (16:9)	104.6	58.8	3.0	3.0	110.6	64.8	118.1	40.9	9.6	41.7	9.6
Q150H	150" (16:9)	130.7	73.5	3.0	3.0	136.7	79.5	137.8	40.9	11.0	50.8	11.0
Q180H	180" (16:9)	156.9	88.3	3.0	3.0	162.9	94.3	149.6	40.9	11.0	59.1	11.0
Q200H	200" (16:9)	174.3	98.1	3.0	3.0	180.3	104.1	157.5	40.9	11.0	65.4	15.0

*Measurement dimensions are intended as a reference only and subject to change without notice. Note: Data Error may be ± 1"

4.1.2 Drawings



4.1.3 Pictures



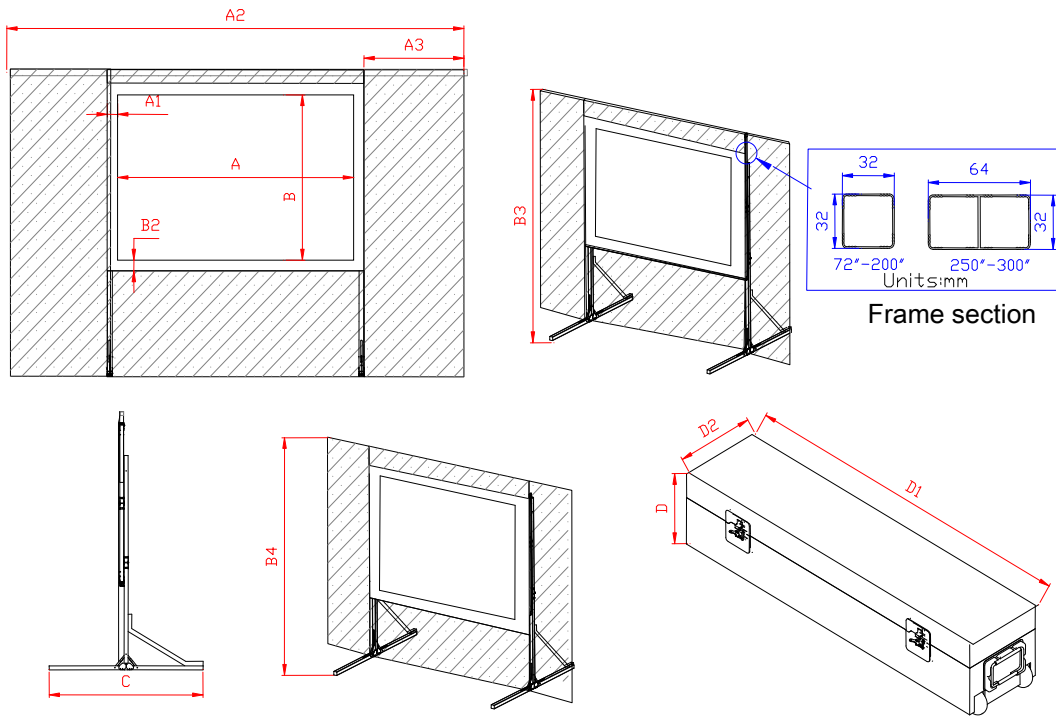
4.2 QuickStand Drape Series

4.2.1 Dimensions Table

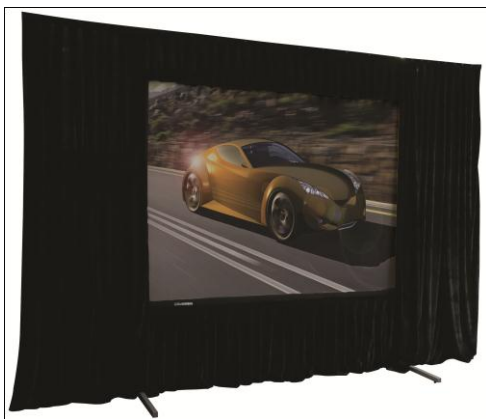
Unit: mm											Storage Case Dimensions		
Model	Diagonal Size/Aspect Ratio	View Width (A)	View Height (B)	Left/Right Black Masking (A1)	Top/Bottom Black Masking (B2)	Overall Width with Drape (A2)	A3	Max. Height (B3)	Min. Height (B4)	Stand Width (C)	Height (D)	Length (D1)	Width (D2)
Q84VD	84" (4:3)	1707.0	1280.2	76.0	76.0	1862.0	690.0	2680.0	1785.0	1040.0	1160.0	235.0	225.0
Q100VD	100" (4:3)	2032.0	1524.0	76.0	76.0	2187.0	690.0	3050.0	2250.0	1040.0	1160.0	235.0	225.0
Q120VD	120" (4:3)	2438.4	1828.8	76.0	76.0	2584.0	690.0	3800.0	2700.0	1040.0	1190.0	285.0	245.0
Q150VD	150" (4:3)	3048.0	2286.0	76.0	76.0	3203.0	690.0	4200.0	3265.0	1040.0	1460.0	285.0	280.0
Q180VD	180" (4:3)	3657.6	2743.2	76.0	76.0	3810.0	690.0	4450.0	3700.0	1040.0	1715.0	285.0	280.0
Q200VD	200" (4:3)	4064.0	3048.0	76.0	76.0	4220.0	690.0	4650.0	4060.0	1040.0	1170.0	380.0	280.0
Q100HD	100" (16:9)	2214.0	1245.0	76.0	76.0	2366.0	690.0	2500.0	1880.0	1040.0	1260.0	235.0	225.0
Q120HD	120" (16:9)	2657.0	1494.0	76.0	76.0	2809.0	690.0	3000.0	2820.0	1040.0	1060.0	245.0	245.0
Q150HD	150" (16:9)	3321.0	1868.0	76.0	76.0	3473.0	690.0	3500.0	3150.0	1040.0	1290.0	280.0	280.0
Q180HD	180" (16:9)	3985.0	2242.0	76.0	76.0	4137.0	690.0	3800.0	3150.0	1040.0	1500.0	280.0	280.0
Q200HD	200" (16:9)	4428.0	2491.0	76.0	76.0	4580.0	690.0	4000.0	3150.0	1040.0	1660.0	380.0	280.0
Unit: inch											Storage Case Dimensions		
Model	Diagonal Size/Aspect Ratio	View Width (A)	View Height (B)	Left/Right Black Masking (A1)	Top/Bottom Black Masking (B2)	Overall Width with Drape (A2)	A3	Max. Height (B3)	Min. Height (B4)	Stand Width (C)	Height (D)	Length (D1)	Width (D2)
Q84VD	84" (4:3)	67.2	50.4	3.0	3.0	73.3	27.2	105.5	70.3	40.9	45.7	9.3	8.9
Q100VD	100" (4:3)	80.0	60.0	3.0	3.0	86.1	27.2	120.1	88.6	40.9	45.7	9.3	8.9
Q120VD	120" (4:3)	96.0	72.0	3.0	3.0	101.7	27.2	149.6	106.3	40.9	46.9	11.2	9.6
Q150VD	150" (4:3)	120.0	90.0	3.0	3.0	126.1	27.2	165.4	128.5	40.9	57.5	11.2	11.0
Q180VD	180" (4:3)	144.0	108.0	3.0	3.0	150.0	27.2	175.2	145.7	40.9	67.5	11.2	11.0
Q200VD	200" (4:3)	160.0	120.0	3.0	3.0	166.1	27.2	183.1	159.8	40.9	46.1	15.0	11.0
Q100HD	100" (16:9)	87.2	49.0	3.0	3.0	93.1	27.2	98.4	74.0	40.9	49.6	9.3	8.9
Q120HD	120" (16:9)	104.6	58.8	3.0	3.0	110.6	27.2	118.1	111.0	40.9	41.7	9.6	9.6
Q150HD	150" (16:9)	130.7	73.5	3.0	3.0	136.7	27.2	137.8	124.0	40.9	50.8	11.0	11.0
Q180HD	180" (16:9)	156.9	88.3	3.0	3.0	162.9	27.2	149.6	124.0	40.9	59.1	11.0	11.0
Q200HD	200" (16:9)	174.3	98.1	3.0	3.0	180.3	27.2	157.5	124.0	40.9	65.4	15.0	11.0

*Measurement dimensions are intended as a reference only and subject to change without notice. Note: Data Error may be ± 1"

4.2.2 Drawings



4.2.3 Pictures



Section 5: Markets With Product Availability

5.1 Where

- **America: Elite Screens Inc**
16410 Manning Way, Cerritos, CA 90703
Tel: 877-511-1211 • Fax: 562-483-8498
info@elitescreens.com • www.elitescreens.com
- **Asia: Elite Screens China Ltd.**
Longxi Duimianling Industry Zone Longcheng, Longgang District
ShenZhen GuangDong, China
Tel: +86-(0)755-8461-7989 • Fax: +86-(0)755-8461-7669
info@elitescreens.com.cn • www.elitescreens.com.cn
- **Elite Screens Taiwan Corp.**
1F. No.38 Alley 22 Lane 66 Sec. 5 Nanjing E. Rd. Songshan District
Taipei City 105, Taiwan (R.O.C.)
Tel: (02)2747-8979 • Fax: (02)2747-8978
info@elitescreens.com.tw • www.elitescreens.com.tw
- **Europe:**
Elite Screens GmbH
Lübecker Straße 1, 22087 Hamburg, Germany
Tel: +49-40-30392494 • Fax: +49-40-49219200
info@elitescreens.eu • www.elitescreens.eu
- **France: Elite Screens France S.A.S**
11, Allée William Penn
92150 Suresnes, France
Tel: +33-1-45064735 • Fax: +33-1-45064735
pascale.dautemer@elitescreens.com • www.elitescreens.com/fr
- **Elite Screens India**
Delhi, India
Tel: +91-99 71283440 • Fax: +91-22 66459659
info.india@elitescreens.com • www.elitescreens.in



5.2 Company Description

Elite Screens Inc. is a California based company that specializes in making quality commercial and home-theater projection screens for the retail and custom install sales channels. Our company began as an innovative venture into the projection market by manufacturing veterans from the AV/IT industry. Elite Screens quickly established itself as an entry level commercial and home theater screen manufacturer. This was accomplished by making a quality product cost effective with a focus on mass-producing screen material, sizes and aspect ratios that were most commonly preferred by AV customers in general. We focused on uniformity with what would match the mainstream demographic while including extra features that are not usually included by other manufacturers. In time, we progressed from just retail sales into the realm of custom installer/integrator manufacture as our numerous reviews and awards will attest. We stand behind our product and are so certain of customer satisfaction with the quality of our product that we offer a 2-year manufacturer's warranty which is twice the industry standard.

In our continued devotion to excellence in products and service, we are committed to implementing green practices with our production. We have adopted manufacturing methods that promote conservative regulation of our energy needs. Our simple product designs combined with the expertise of our permanent staff ensures that our entire line of products are made by experienced hands devoted to the high standards of today's audio-video consumer.

###