

PFS 3302 Display interface strips tilt

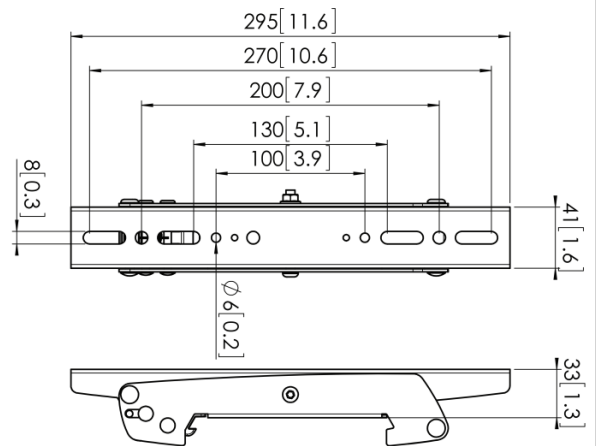
Article number (SKU) 7233020
Colour Black

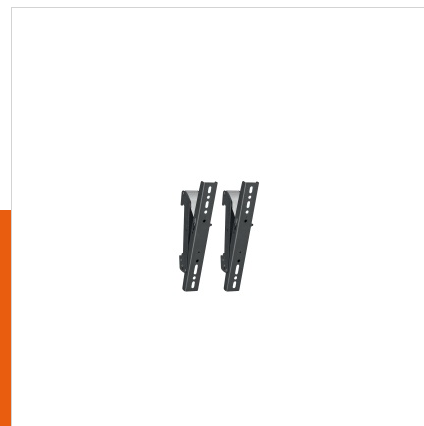
Key benefits

- Endlessly expandable
- Quick and easy installation
- Fine tuning during installation
- Theft prevention
- TÜV certified

The PFS 3302 interface display strips is part of the modular Connect-it system with which you can create your own ceiling or floor solution for medium to large sized displays.

The PFS 3302 is suitable for medium to large sized displays up to 80 kg with a max. vertical fitment of 270 mm. For creating a ceiling solution combine the PFS 3302 with a Connect-it ceiling plate, pole (PUC 25xx Series) and interface bar (PFB 34xx Series). For creating a floor solution combine the PFS 3302 with a Connect-it floor plate/ trolley, pole (PUC 27xx Series) and interface bar (PFB 34xx Series). The PFS 3302 can also be combined with the motorized products (PFFE 7110, PFTE 7112, PFWE 7150).





PFS 3302 Display interface strips tilt

www.vogels.com

VOGEL'S HOLDING BV 2017 (c) All rights reserved
Subject to printing errors, technical and price
amendments
Date: 10-11-2017

Specifications

Product specifications

Product type number	PFS 3302
Article number (SKU)	7233020
Colour	Black
EAN single box	8712285323041
TÜV certified	Yes
Tilt	Tilt up to 20°
Guarantee	5 years
Max. weight load (kg)	80
Max. bolt size	M8
Max. height of interface (mm)	295
Max. width of interface (mm)	41

Features

Functionality	Tilt
Service position	No

