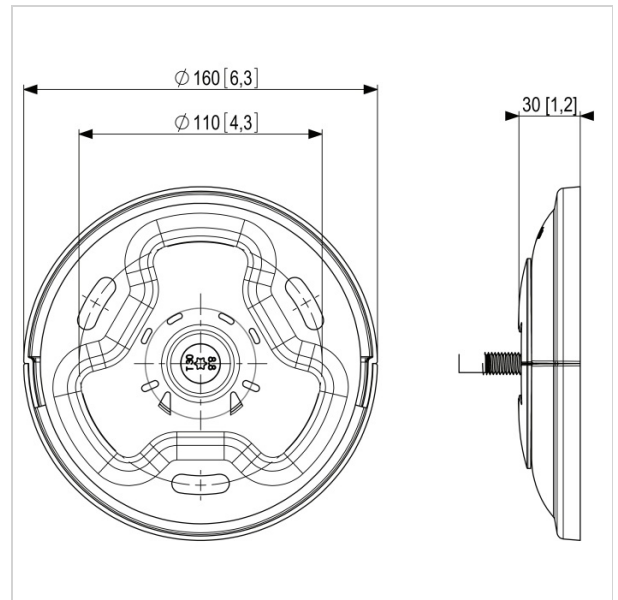
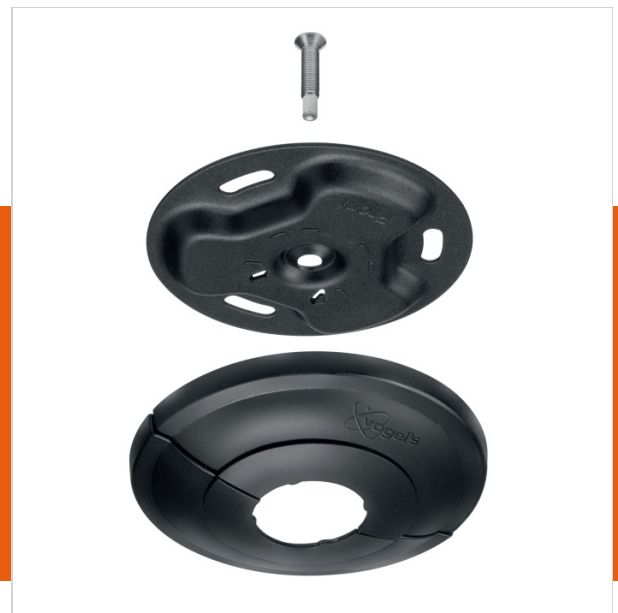


PUC 1011 Ceiling plate fixed

Article number (SKU) 7210110
Colour Black

The PUC 1011 ceiling plate is a part of the modular Connect-it system with which you can create your own ceiling solution for small- to medium-sized displays.

This ceiling plate is suitable for flat ceilings. Combine this ceiling plate with one of the poles from the Connect-it Series (PUC 2108, PUC 2115, PUC 2130, PUC 2308, PUC 2315 or PUC 2330) and a Connect-it interface (PFI 3010, PFI 3020, PFI 3030) or Projector ceiling mount (PPC 1500, PPC 2500) for a complete ceiling solution.



PUC 1011 Ceiling plate fixed



VOGEL'S HOLDING BV 2017 (c) All rights reserved
Subject to printing errors, technical and price
amendments
Date: 09-11-2017

www.vogels.com

Specifications

Product specifications

Product type number	PUC 1011
Article number (SKU)	7210110
Colour	Black
EAN single box	8712285319365
TÜV certified	Yes
Guarantee	5 years
Max. weight load (kg)	30

Features

Functionality Flat

