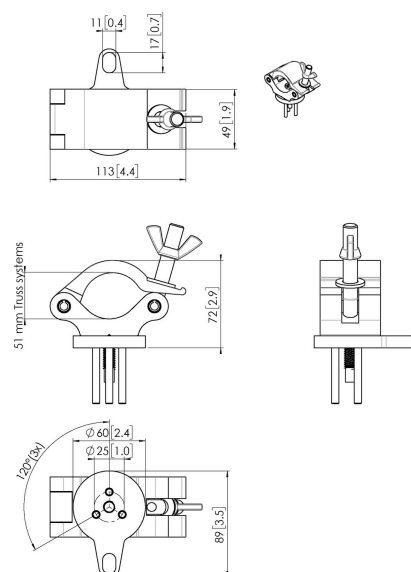


PUC 1051 Truss Adapter PUC 24xx

Key Benefits

- Easy to install
- Solid construction

The PUC 1051 truss adapter is part of the modular Connect-it system with which you can create your own truss solution for small- to medium-sized displays. The PUC 1051 can be combined with the PUC 24xx





PUC 1051 Truss Adapter PUC 24xx

Specifications

| | |
|---------------------------|-----------------|
| Article number (SKU) | 7210514 |
| Colour | Stainless Steel |
| EAN single box | 8712285344404 |
| Height | 72 |
| Width | 113 |
| Depth | 49 |
| TÜV certified | Yes |
| Guarantee | 5 years |
| Max. weight load (kg/Lbs) | 40 / 88.18 |
| Ceiling plate options | Truss system |
| Ceiling types | Truss system |

VOGEL'S HOLDING BV (©)

All rights reserved.
Subject to printing errors,
technical and price
amendments.

Date: 2023-01-30



Vogel's. For Sure.