

Mini40

Bluetooth Power Amplifier

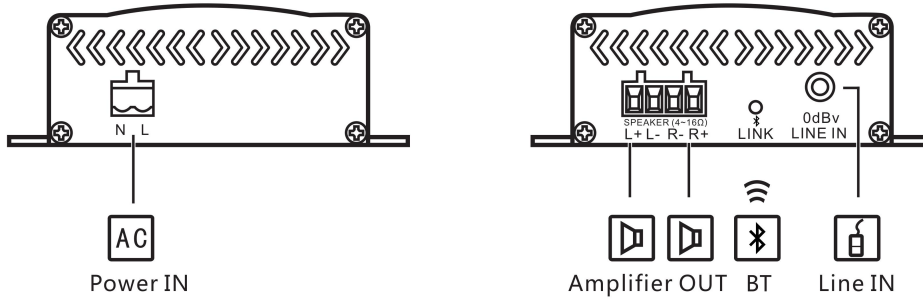


Features

- Frame with rounded corners, elegant and moderate. With precision frosting process and surface oxidation process, and no rust.
- Leading digital power amplification technology, differential input and output design, and two-stage filter processing circuit can ensure excellent SNR, achieving full-range high-fidelity stereo reproduction, and powerful low-frequency and clear high-frequency.
- Safe and reliable, with over-temperature, over-current, and short-circuit protection, as well as soft-starting technology to effectively protect the speaker.
- Easy to use, with two connection methods: Line and Bluetooth.
- Wide voltage design, applicable worldwide.

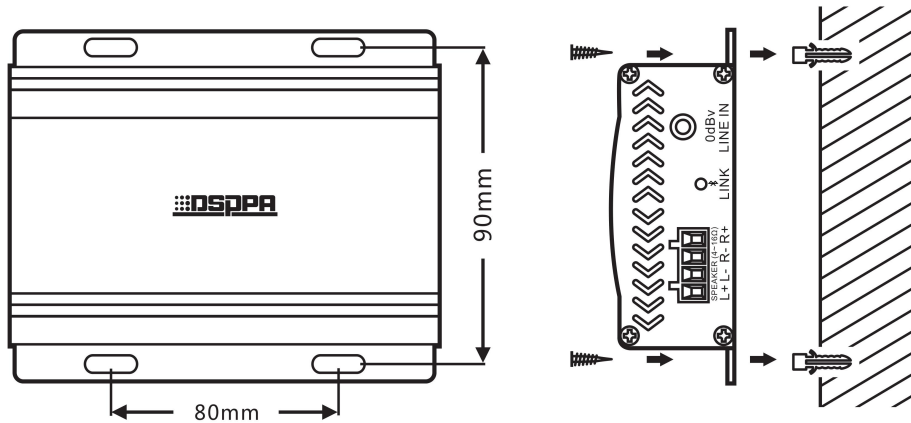
Installation

Connection Diagram



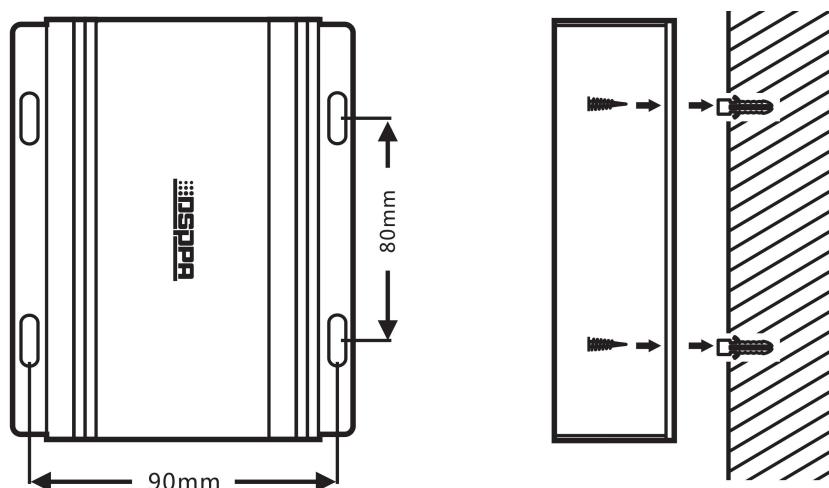
Method 1: Horizontal Installation

4 screws are installed in the needed place. (As shown below)



Method 2: Vertical Installation

I. 4 screws are installed in the needed place. (As shown below)



- II. Connect lines of power input and amplifier output.
- III. Connect the input lines as needed or connect the Bluetooth via an electronic device.
- IV. Finally, check the installation is secure.

Specifications

Item	Mini40
Rated Power	2×20W/8Ω
MAX. Power	2×40W
Freq. Resp.	20Hz-20KHz
Distortion	<0.1%
SNR	> 82dB
Matched Impedance	4-16Ω
LINE IN Sensitivity	0dB(1V)
LINE IN Impedance	> 10KΩ
BT Transmission	10m
BT Standard	BT2.1+EDR
Power Supply	~100-240V/50Hz/60Hz
Net Weight	0.33KG
Gross Weight	0.35KG
Product Dimension	125mm × 100mm × 35mm
Package Dimension	135mm × 110mm × 45mm