

DSP8064W 40W Wall Mount Speaker with Power Tap



Features

- Input 70V/100V/4-16Ω
- Wide Freq.Resp.:65-20,000Hz
- Max SPL:107±2dB
- High sensitivity:91±2dB
- Wall mount type loudspeaker
- Metal grille and ABS enclosure of white color
- Equipped with hanging holes for mounting convenient

Description

The DSP8064W is a wall mount speaker built-in 70v/100v transformer. The 70v/100v transmission is realized in a high-voltage, low-current mode, which makes longer distance transmission and parallel connection of multiple loudspeakers possible.

The multiple power taps from 2.5W to 40W could meet different applications varies from room size and ambient noise surroundings.

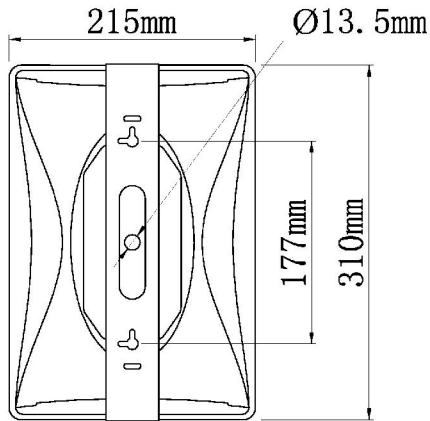
Metal grille and ABS enclosure of white color, long-term durability, never out of shape and fading; high sensitivity, clear and sonorous sound. Easy and secure wall mount installation by hanging holes.

It is ideal choice for industrial and commercial applications in hotel, school, office and factory where background music and paging is needed.

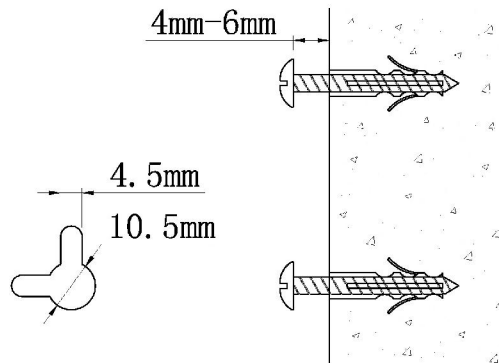
Specification

Model	DSP8064W
Rated Power	40W
Max Power	80W
Line Voltage	70/100V
Sensitivity(1M,1W)	91±2dB
Max SPL(1M)	107±2dB
Freq. Resp	65Hz-20kHz
Weight	4.6 kg

Hanging hole



Nail For Mounting



Installation

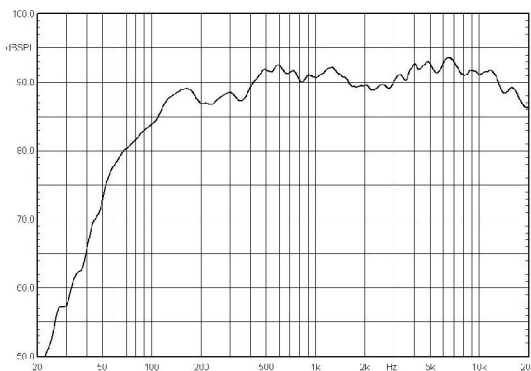
1. Fit two Ø4mm nails on wall where it is needed to install a speaker system.
2. Connect audio broadcasting wire to the speaker according to the table below.

Power Impedance	Input Voltage	
	70V	100V
2 K Ω	2.5W	5W
1 K Ω	5 W	10W
500 Ω	10W	20W
250 Ω	20W	40W
125 Ω	40W	---

3. Position the speaker, then adjust the direction of it and examine whether it is steady.

FREQ. RESPONSE

(dB SPL, 1W, 1m)



DISTORTION

(THD < 1.5% 1W, 1m, 200Hz~12kHz)

