

MICROPHONES / WIRELESS MICROPHONES / UHF

SONAIR-2MP

UHF DUAL HAND-HELD AND BELT-PACK WIRELESS MICROPHONE, FIXED FREQUENCY



- ✓ High quality sound
- ✓ Long reach
- ✓ Long battery life
- ✓ Easy to use



+ Info:
<https://fonestar.com/SONAIR-2MP>

ESPECIALLY RECOMMENDED IN:



Sports facilities



Education



Hotels



All sectors

DESCRIPTION

Dual UHF hand-held wireless microphone and belt-pack???.Wireless microphone with excellent range and sound quality. The transmitter uses an integrated audio and transmission management solution on a single chip, based on a DSP audio processor and PLL frequency control. Compared to systems integrating discrete components, the stability and reliability of this system is far superior.Our microphone uses traditional FM modulation technology with high sound quality.Fixed-frequency transmission channels provide ease of use.It has a highly efficient battery power management design that allows for prolonged use of the microphone.Low-noise, balanced output and mixed unbalanced output for easy connection.Compact and simple design.Consisting of a dual receiver and two transmitters, one hand-held and one belt-pack microphone. The hand-held wireless microphone has an unidirectional dynamic capsule that maximises direct voice pick-up and noise and indirect sounds suppression. And belt-pack transmitter with clip-on microphone with efficient voice pick-up.Suitable for events with portable microphones, such as presentations, conferences, events, performances, etc.

TECHNICAL CHARACTERISTICS

FEATURES	<p>Dual hand-held and belt-pack wireless microphone</p> <p>Hand-held microphone with unidirectional dynamic capsule.</p> <p>Belt-pack transmitter with clip-on microphone with unidirectional condenser capsule.</p> <p>Compact receiver with RF signal indicator and audio signal.</p> <p>Fixed frequency transmission channels.</p> <p>Transmission distance greater than 30 m.</p> <p>User friendly.</p> <p>Maximum 8 microphones at the same time on different channels.</p>
FREQUENCIES	<p>Group 1: 557.2 / 578.4 MHz</p> <p>Group 2: 636.5 / 652.1 MHz</p> <p>Group 3: 680.2 / 687.5 MHz</p> <p>Group 4: 685.3 / 691.5 MHz</p>
POWER	30 mW
RESPONSE	30-20,000 Hz (+/- 2 dB)
S/N RATIO	> 96 dB
OUTPUTS	<p>Audio:</p> <p>2 balanced, XLR, 0 ~ 250 mV, 600 Ohm</p> <p>1 unbalanced mix, 6.3 mm jack, 0 ~ 250 mV, 1 KOhm</p>



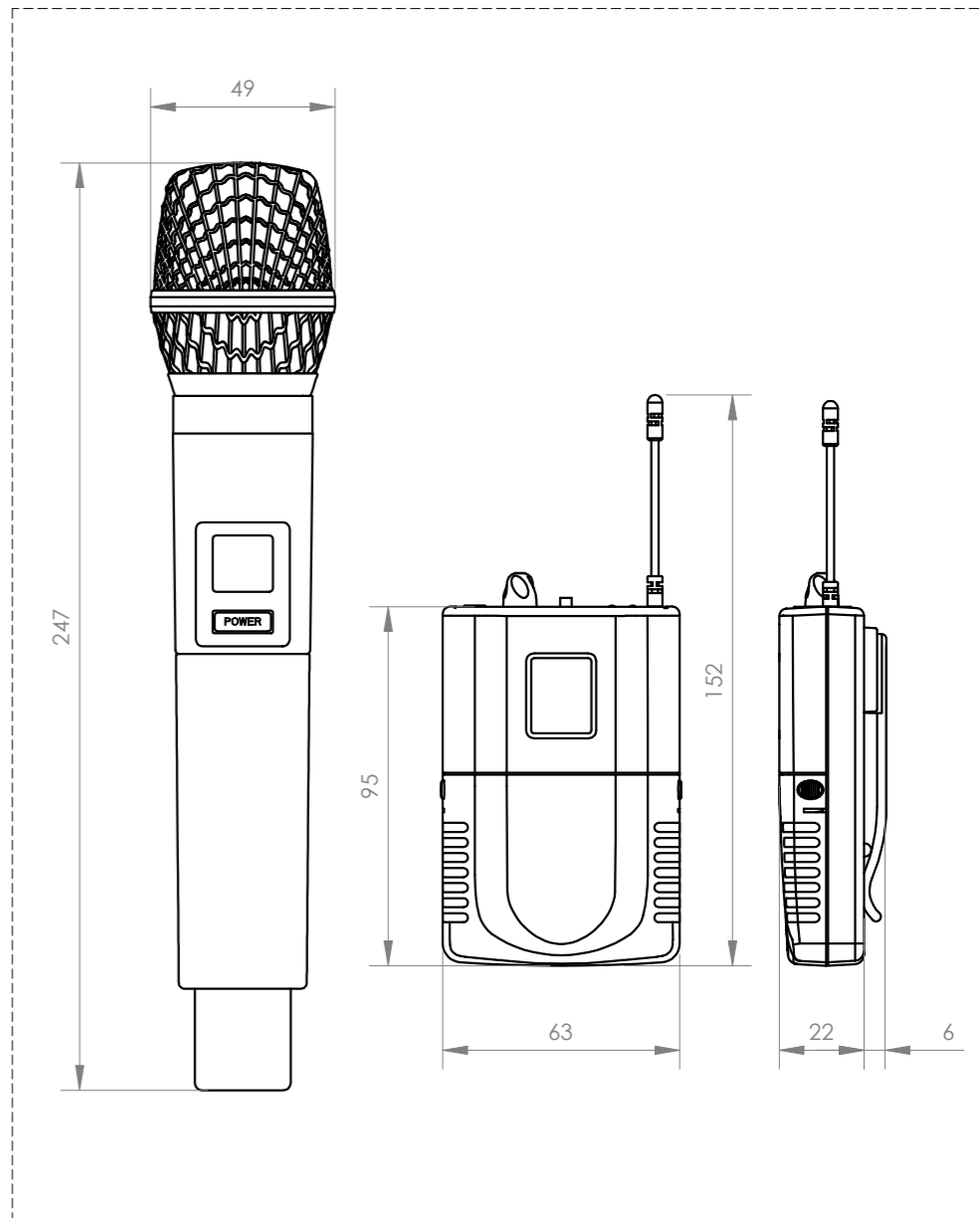
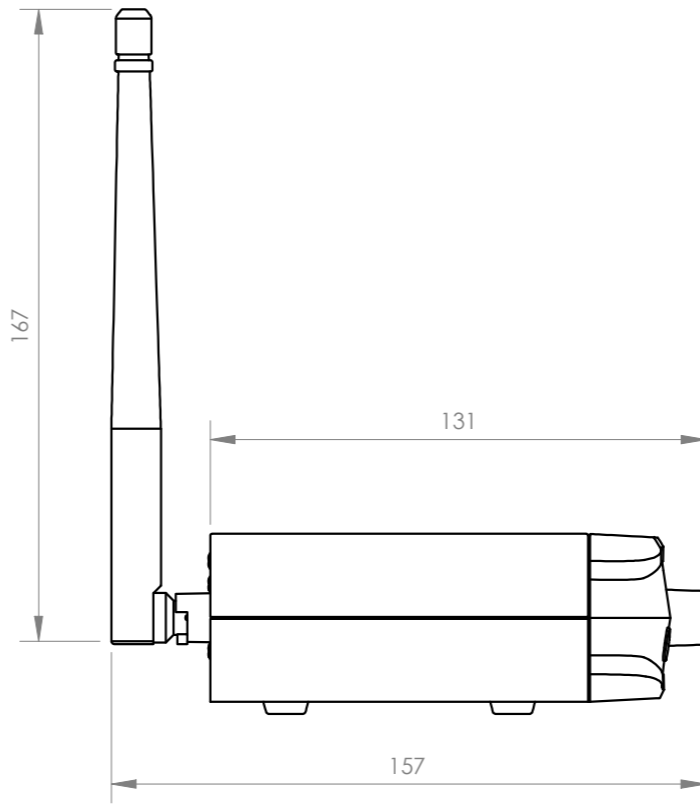
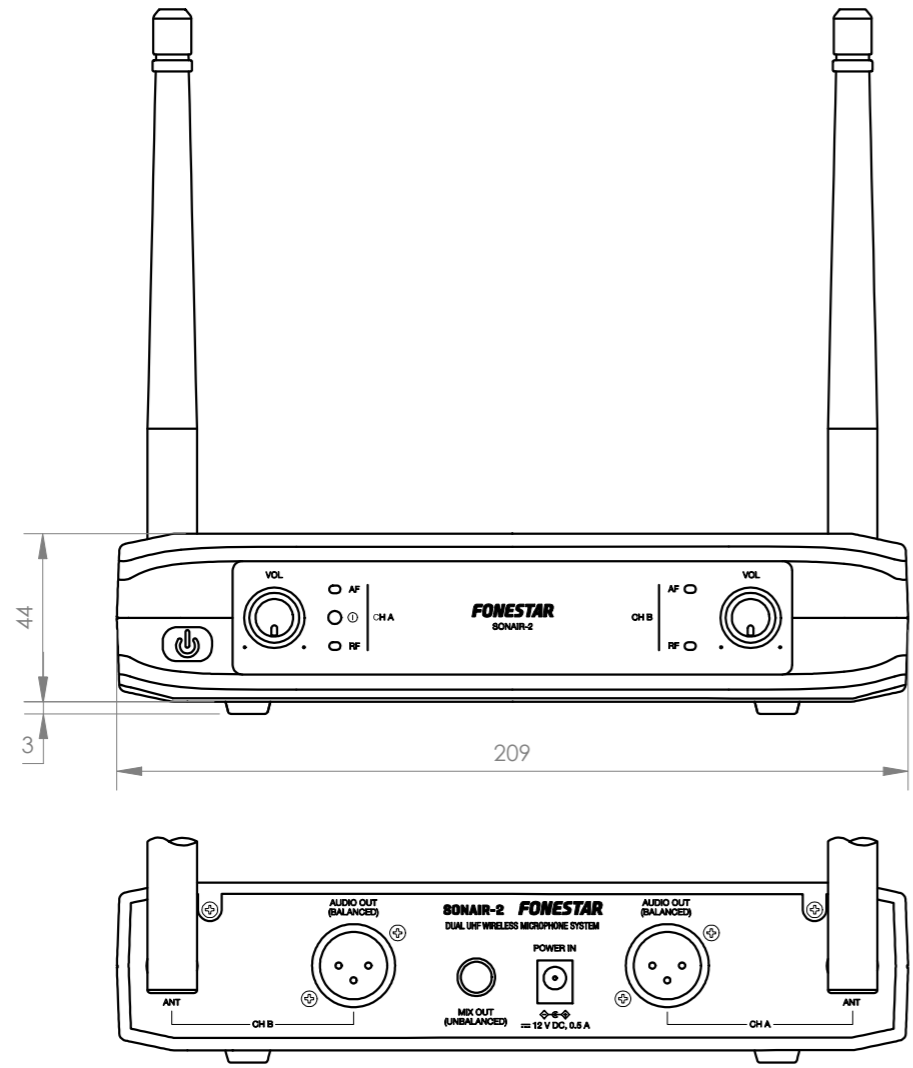
+ Info:

<https://fonestar.com/SONAIR-2MP>

RECEIVER	<p>Receiving sensitivity: -95 dBm Distortion: < 0.3% Latency: 3 ms</p>
MICROPHONES	<p>1 hand-held wireless microphone with dynamic unidirectional capsule 1 belt-pack wireless microphone with clip-on microphone 3.5 mm mono input connector with female thread Harmonic radiation: < -50 dBc Battery life (alkaline): 8 - 10 hours approx.</p>
POWER SUPPLY	<p>Receiver: 12 V DC, 500 mA with adapter included Transmitter microphone: 2 x AA batteries. Supports rechargeable batteries.</p>
DIMENSIONS	<p>Receiver: 210 x 46 x 156 mm depth</p>
WEIGHT	<p>0.4 kg</p>
ACCESSORIES	<p>6.3 mm mono jack cable, 1m Anti-spin ring Power adapter Microphone batteries</p>
COMPATIBILITY	<p>FCM-850-TSM: Tie-clip microphone FCM-970-TSM: Head-worn microphone FCM-660-TSM: Head-worn microphone</p>



+ Info:
<https://fonestar.com/SONAIR-2MP>



FONESTAR	Model	Description UHF DUAL HAND-HELD AND BELT-PACK WIRELESS MICROPHONE, FIXED FREQUENCY	Units	Scale
	SONAIR-2MP		mm	1:2