

EVANESCE TAB-TENSION SERIES

Section 1: Screen Design

1.1 What is it for?

The *Evanesce Tab-Tension* is a versatile in-ceiling projection screen that conveniently disappears from view when not in use. It can be installed from within the above-ceiling airspace or from below thanks to its removable base panels that were originally designed for the European market.

1.2 How does it work?

Its award-winning *CineWhite™* 1.1 gain matte white tensioned-material provides superb color temperature with wide diffusion uniformity. The screen is moved by a strong, fast-acting tubular motor and comes with a full IR/RF wireless, 12-volt trigger and Ethernet control package.

Section 2: Control System

2.1 Wireless 5-12 Volt Trigger Cable

A wireless 5-12 volt projector trigger automatically drops/rises your screen when your projector is turned on/off. Eliminates the need to wire the connection from your projector to the screen for a clean installation

2.2 IR Remote

The infrared remote control requires direct line of sight and works up to 30 feet.

2.3 RF Remote

The radio frequency remote control does not require line of sight and works up to 100 feet.

2.4 3-Way Wall Switch

The 3-Way Wall Switch is a detachable switch that connects to the RJ45 port.

2.5 RJ45 port

Allows 3rd party control systems integration.

Section 3: Product Features

3.1 Characteristics

Screen Material

- Award winning CineWhite™ 1.1 Gain black backed matte white screen material
- 180° wide-viewing angle
- 4K Ultra HD, Active 3D, and HDR Ready

PRODUCT WHITE PAPER

<http://www.elitescreens.com>



- Tab-tension cords provide uniform flatness on entire projection surface
- Standard 8" top drop
- Available in the following diagonal sizes:
 - 84", 100" and 120" in 4:3 format
 - 84", 100", 106", 120" and 135" in 16:9 format
 - 94", 108", 114", 126" and 139" in 16:10 format

Design and Installation

- Disappearing recessed in-ceiling design for non-dedicated media rooms
- Aluminum housing with white finish (RAL9003) is strong and moisture resistant
- Integrated ceiling projection screen ships fully assembled, ready to install
- Installation kit included for above or below ceiling

Control System

- Internal Radio Frequency/Infrared receivers with IR, RF remotes included
- Low voltage 3-way wall switch and in-wall RJ45 module included
- Standard 5-12 volt trigger to synchronize screen operation with the projector's power cycle
- Optional in-wall up/down switch (part# ZIW-W)

Quality and Reliability

- ETL, FCC, CE, CB GOSTCE & ISO9001:2008
- Conforms to UL 2043 - Plenum Rated: Suitable for air-handling spaces
- 2-year Parts & Labor manufacturer's warranty
- 3-year warranty offered through ENR-G program (Education, Non-Profit, Religious and Government)

3.2 Model Numbers

Model Number	Diag. Size	Aspect Ratio	Viewing Height (in)	Viewing Width (in)	Screen Material	Gain	Case Color	N.W. (lbs)	G.W. (lbs)	Packaging Dimensions (LxWxH)
ITE84VW2-E8	84"	4:3	50.4	67.2	CineWhite™	1.1	White	34.6	47.8	84.3"x7.5"x8.3"
ITE100VW2-E8	100"	4:3	60.0	80.0	CineWhite™	1.1	White	39.5	53.7	97.0"x7.5"x8.3"
ITE120VW2-E8	120"	4:3	72.0	96.0	CineWhite™	1.1	White	44.6	61.6	113.8"x7.5"x8.3"
ITE84HW2-E30	84"	16:9	41.2	73.2	CineWhite™	1.1	White	36.3	50.9	90.2"x7.5"x8.3"
ITE100HW2-E8	100"	16:9	49.0	87.2	CineWhite™	1.1	White	43.8	66.9	106.7"x7.7"x8.7"
ITE106HW2-E8	106"	16:9	52.0	92.4	CineWhite™	1.1	White	44.0	60.0	109.4"x7.5"x8.3"

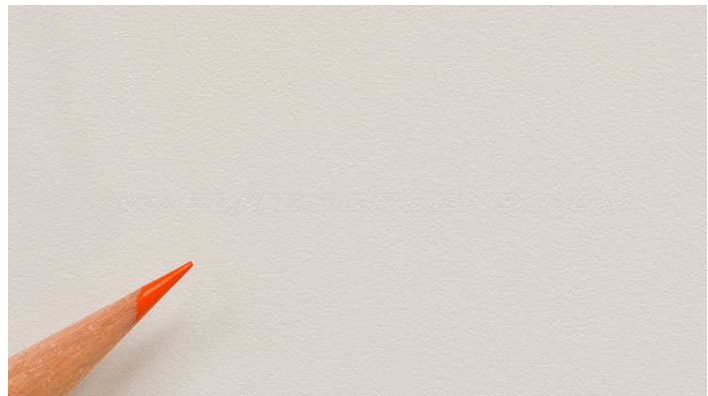
Model Number	Diag. Size	Aspect Ratio	Viewing Height (in)	Viewing Width (in)	Screen Material	Gain	Case Color	N.W. (lbs)	G.W. (lbs)	Packaging Dimensions (LxWxH)
ITE120HW2-E8	120"	16:9	58.8	104.6	CineWhite™	1.1	White	52.1	77.4	125.6"x7.7"x8.7"
ITE135HW2-E8	135"	16:9	66.2	117.7	CineWhite™	1.1	White	58.7	84.7	139.0"x7.7"x8.7"
ITE94XW2-E30	94"	16:10	49.8	79.7	CineWhite™	1.1	White	53.0	80.1	127.6"x7.7"x8.7"
ITE126XW2-E8	126"	16:10	66.8	106.9	CineWhite™	1.1	White	58.9	85.5	138.6"x7.9"x8.7"
ITE139XW2-E8	139"	16:10	73.7	117.9	CineWhite™	1.1	White	38.4	53.9	97.0"x7.5"x8.3"

Section 4: Screen Material Specifications

4.1 Characteristics

CineWhite™ (Tension Matte White) has broad light dispersion through diffusion uniformity, black & white contrast and true color rendition making it the most versatile in Elite's tensions screen product lines. This tension PVC surface is the best choice for today's high-contrast ratio projectors in commercial or residential presentations.

The **CineWhite™** material equals the performance to our MaxWhite™ product, but improves the experience with the superior surface flatness. Uniform diffusion surface has black-backing to eliminate light penetration and is easily washable with mild soap and water.



Features & Benefits

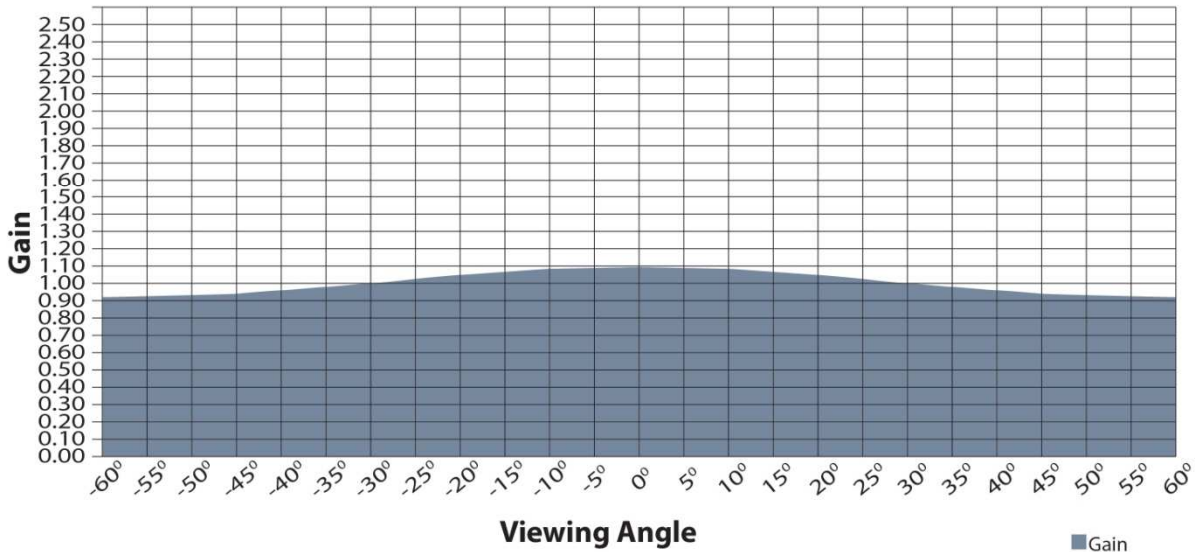
- Multi-layer PVC (Polyvinyl chloride) with texture and surface coating
- Gain: 1.1
- View Angle: 180° (90° ±LR)
- Full Lambertian Diffuser- no half gain drop
- Produces exceptional picture quality for any presentation
- Mildew Resistant
- Active 3D and 4K Ultra HD ready
- Surface can be cleaned with (water) moist cotton cloth

Specifications	
Thickness	0.27 mm
Weight	350 g/m2
Maximum Height	3.2 M (10 ft)
On-axis Gain	1.1
Half-Gain Angle	Does not reach half gain

4.2 Gain Chart



On axis 0° Gain: 1.1
Viewing Cone: 180°



Section 5: Execution

5.1 Important Safety & Warning Precautions

Caution: The screen's Black Top Drop is already set to its maximum drop distance. There is NO extra Black Top Drop in the roller. Please be aware of this as it will void your warranty with Elite Screens. Unapproved changes or modifications (except for cutting the power cord for hardwire installations) to this unit are prohibited and will void your warranty. For more information, please contact our Technical Support Department at (877) 511-1211 Ext. 604.

- Please retain this user's guide for future reference.
- To avoid damaging the unit, do not use with any unauthorized accessories not recommended by the manufacturer.
- Handle the unit carefully during transportation to avoid any damages.
- To ensure safe and reliable operation, direct connection to a properly grounded power source is advised.
- The power outlet supplying power to the unit should be close to the unit and easily accessible.
- Do not install the unit on uneven, inclined surfaces;
- Do not install in damp places to avoid an electric shock or short circuit.
- Do not place any heavy objects over the power cord.



- Position the power cord properly to avoid creating a trip obstacle.
- To avoid an electrical shock or fire, due to a loose contact or short circuit, do not overload the power cord.
- The internal & external parts of this unit are not end user serviceable. Do not attempt to disassemble this unit by yourself. No one except authorized technicians can open and make repairs to this unit.
- Make sure the power source that this unit is connected to has a continuous power flow.
- If there is need to use an extension cord, make sure the cord has an equal rating as the appliance to avoid over heat.
- Do not handle the power plug when your hands are wet or your feet are in contact with water.
- Properly dispose of this equipment according to the environmental regulations in your area when product is no longer of service.

Do not use this unit under the following circumstances.

- Disconnect the power cord under the conditions of heavy rain, wind thunder or lightning.
- Avoid direct sun light, rain shower and moisture.
- Keep away from fire sources and high temperature to prevent this device from overheating.
- Cut off the power supply first before transportation or maintenance.
- To avoid possible injury and/or an electric shock, do not attempt to use this screen if there is obvious damage or if there are any evident broken parts.

5.2 Installation Warning

The instructions provided in this user's guide are for reference only. Please consult a professional installation company for further installation and safety advice. The installer must insure that proper mounting hardware is used to provide adequate strength suitable for the installation. Elite Screens is not liable for any faulty installations. For limit adjustment instructions, please contact our Technical Support Department at (877) 511-1211 Ext. 604

The Screen's **Top Black Drop** is already set to its maximum drop distance. There is **NO** extra top black drop in the roller. Please be aware of this as it will void the limitation of your warranty.

Individual modifications to this product are prohibited and will void the warranty with the manufacturer. Please contact Elite Screens Customer Service for any questions.

NOTE:

This equipment has been tested and found to comply with the limits for a Class B digital device, pursuant to Part 15 of the FCC Rules.

These limits are designed to provide reasonable protection against harmful interference in a residential installation. This equipment generates and can radiate radio frequency energy and, if not installed and used in accordance with the instructions, may cause harmful interference to radio communications.

However, there is no guarantee that the interference will not occur on a particular installation. If this equipment causes harmful interference to radio or television reception, which can be determined by turning the equipment off and on, the user is encouraged to try to correct the interference by one or more of the following measures.

- ✓ **Reorient or relocate the receiving antenna of the device which may be causing the interference.**
- ✓ **Increase the separation between the screen and the device's receiver.**
- ✓ **Connect the equipment into a different power outlet other than the device.**




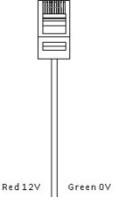
5.3 Pre-Installation


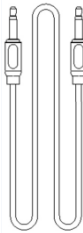

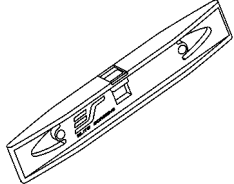
1. Carefully unpack the screen.
2. Always handle the screen in a leveled position on a clean surface.
3. In order to protect the screen from exposure to stains, keep the screen out of contact with foreign particles such as dust, sawdust, and/or liquids.

NOTE:

Regardless of the mounting method, the screen should be securely supported so that the vibration or pulling on the viewing surface will not cause the casing to become loose or fall. The installer must insure the fasteners that are used are of adequate strength and suitable for the installation location.

5.4 Controls and Accessories

A. IR Remote	B. RF Remote	C. Wall switch control box	D. 5-12 volt trigger cable
			

E. IR extended “eye” receiver	F. Wireless 5-12v (3.5 mm) mono trigger cable	G. AAA batteries	H. Bubble leveler
			

5.5 Screen Operation

Electric Current: Depending upon region, your Elite Screen will operate on 100v, 110v, or 220v voltage.

1. After ensuring the power outlet & screen are compatible (voltage), plug the power cord into the outlet.
2. Once the screen has power, you’ll be able to control it using any of the 6 methods described below.

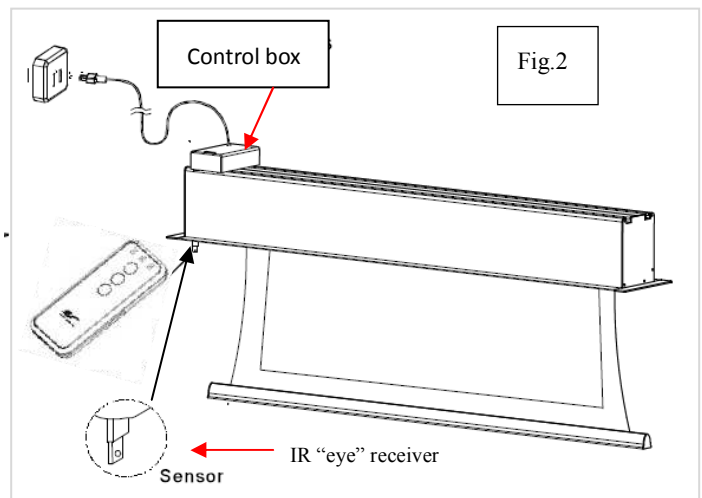
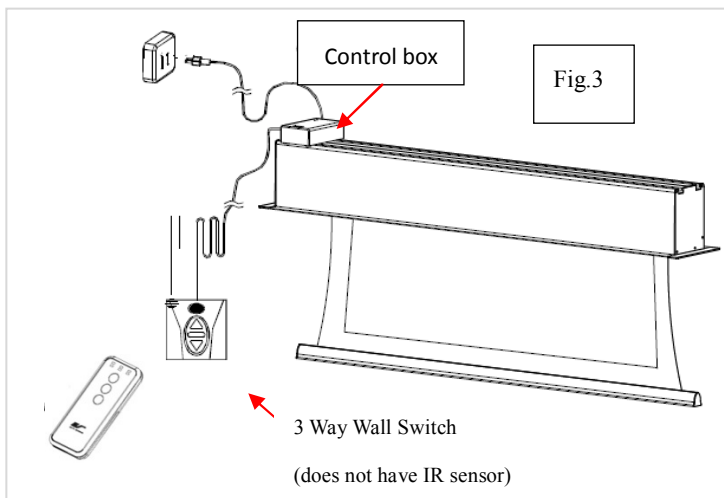
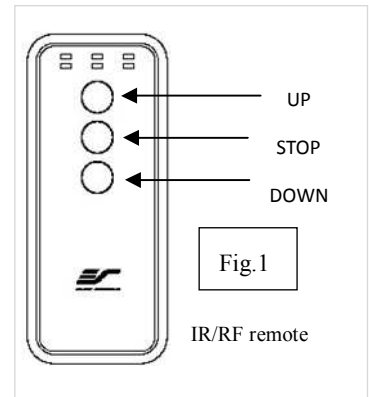
6 ways to control your Evanesce Tab-Tension

1. **IR remote control (Item A, Fig 1):** The Infrared functions by direct line of sight contact with a beam range of 30 feet. Aim the IR remote at the “eye” receiver once it has been connected to the control box’s RJ45 port.

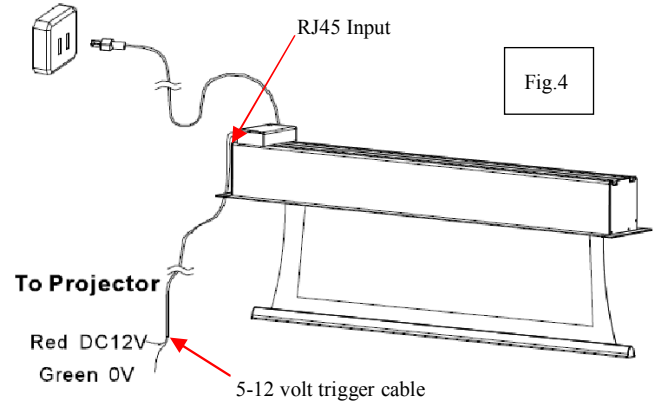
2. **IR “Eye” Receiver (Item E, Fig 2):** The IR “Eye” Receiver plugs directly into the control box’s RJ45 port to present a low profile line-of-sight control option for your IR remote control even in a recessed ceiling installation.

3. **RF Remote Control (Item B):** The radio waves eliminate the need for a direct line of sight with a range of 100 feet.

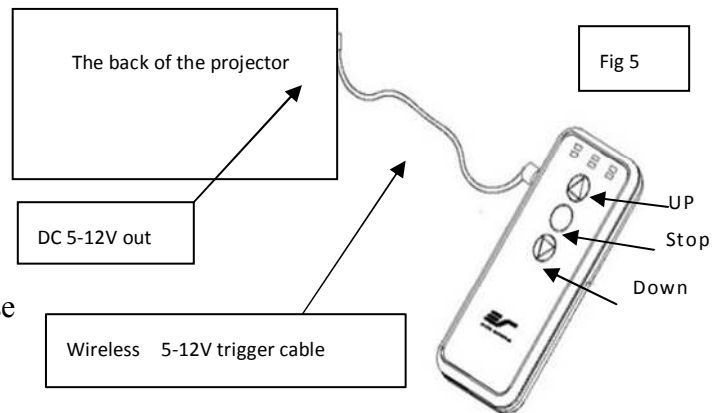
4. **3-Way Wall Switch (Item C, Fig 3):** The 3-way wall switch is a wall mount switch with an up/stop/down button and plugs directly into the control box’s RJ45 port.



5. 5-12 volt trigger (Item D, Fig 4): The built-in 5-12V trigger input allows your screen to synchronize its drop & rise with the projector's power cycle. The screen deploys when the projector powers up and will retract when the projector powers down. The 5-12 volt RJ45 cable connects to your projector's trigger output via a separate cable that may or may not be provided by the manufacturer of the projector. The trigger feature will not work without an output cable from the projector, but it can be tested by connecting the Red (+) and Green (-) cable to a 9-volt battery.



6. Wireless 5-12 volt trigger (Item F, Fig 5): The RF remote control serves as a dual purpose, independently as a handheld remote control, or in conjunction with the Wireless 5-12 volt trigger cable. The radio frequency technology can be programmed to send a wireless signal to synchronize its drop/rise with the projector's power cycle.



Here's how to set up your Wireless 5-12 volt trigger | Synchronization Instructions

Step 1: Connect one end of the 3.5 mm wireless 5-12 volt trigger cable to the RF remote.

Step 2: Connect the other 3.5 mm end of the wireless 5-12 volt trigger cable to your projector

Step 3: Make sure to unplug your screen from the power outlet

Step 4: Hold the **UP** button on your RF remote

Step 5: While holding the **UP** button, plug the screen back to the power outlet

Step 6: Wait 5 seconds and then release the **UP** button

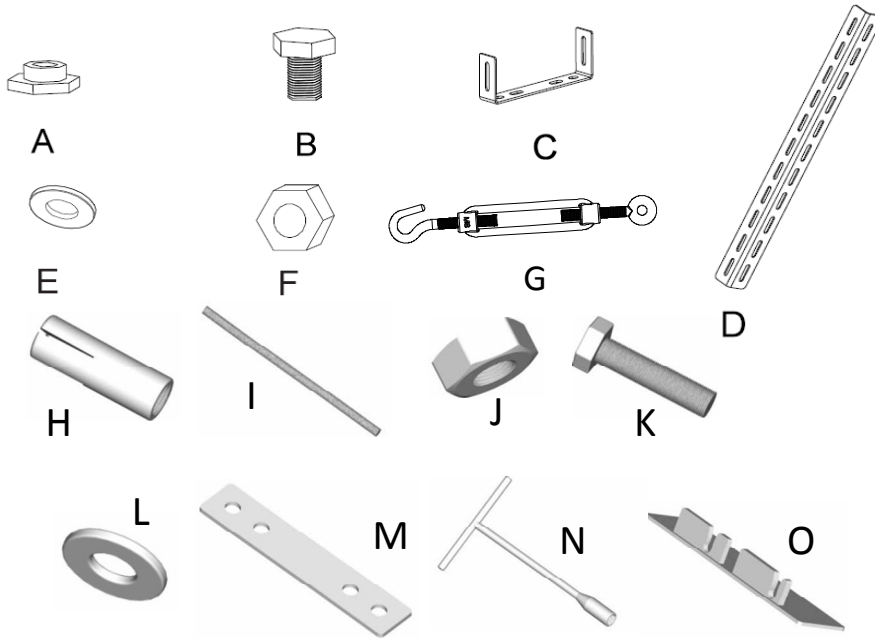
Step 7: Your 5-12V wireless trigger should now be activated with your screen and ready to be used and able to control your screen with your projector's power cycle

Repeat the steps again if not successful.

(Please be aware, the projector on/off cycle may take longer to fully activate. It usually takes around 20-30seconds for full off and on cycle each time)

5.6 Hardware Parts List

Please make sure all parts listed below are included before proceeding with the installation.



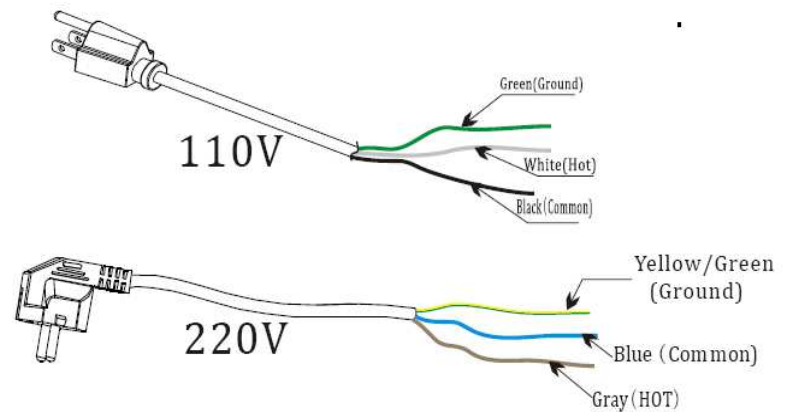
Hardware Parts List	QTY
A. Case Rail Nut	4-6
B. Hex Screw	4-6
C. Hanging Bracket	2-3
D. Suspension Bar	4
E. Washer	8-10
F. Hex Nut	4-6
G. Suspension Bar J- Hook	4
H. M8 Top Expanding Bolt	4
I. M8 Threaded Rod	4
J. M8 Screw Nut	20
K. M8 Hexagonal Screw	4
L. M8 Screw Washer	28
M. Installation Bracket	2
N. Socket Wrench	1
O. White cover flange panel	2

5.7 Above Installation Instructions

The Evanesce Tab-Tension allows access for above or below ceiling installation. Please follow the instructions described in the following steps below for your type of installation.

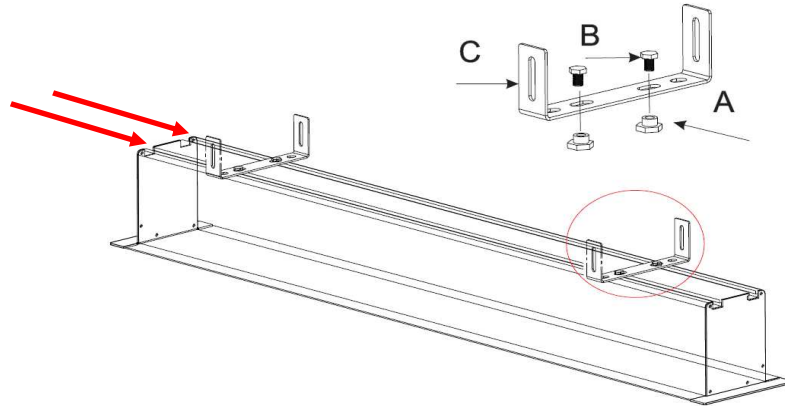
Power

The Evanesce Tab-Tension Series includes a 3-Prong Power Cord (2-Prong Power Cord for some countries) for use in a non-concealed power outlet. If your installation will be entirely concealed (including power outlet), Elite Screens strongly recommends a hardwire connection. Please refer to the image below for both 110v & 220v wiring information.

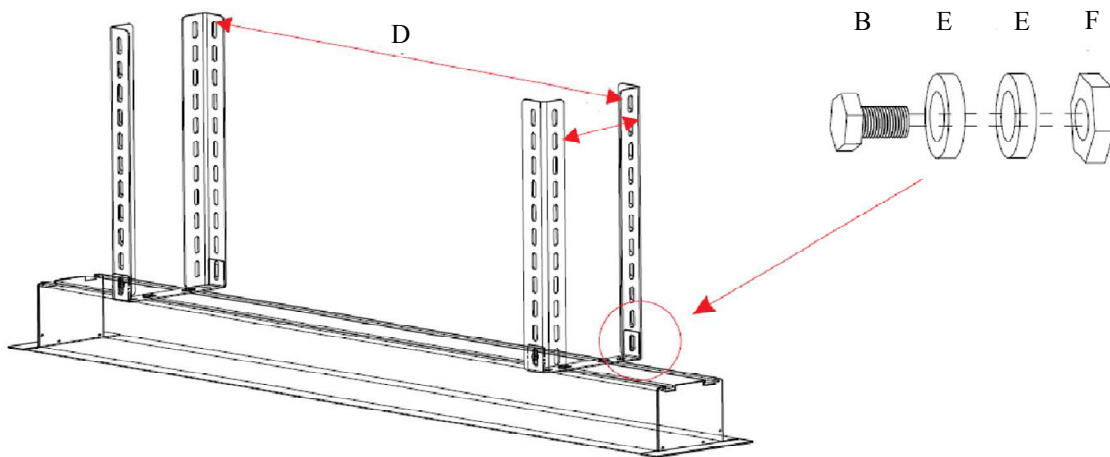


Assembly

1. Insert the Hex Screw (B) through the Hanging Bracket's (C) screw hole and secure with the Case Rail Nut (A). Slide the Hanging Bracket (C) through the railing on top of the case.

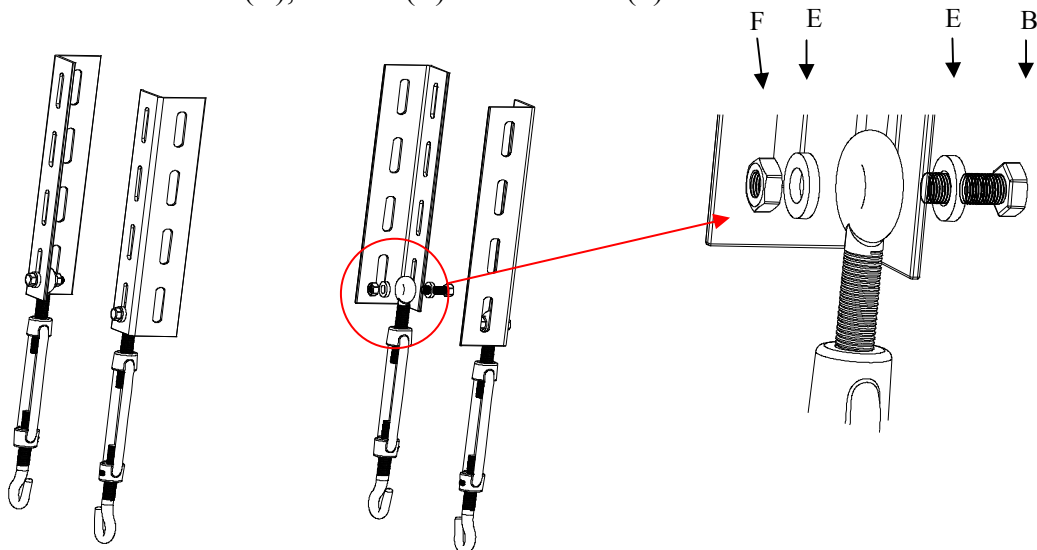


2. Place the Suspension Bar (D) on the Hanging Bracket (C) and align with the hole as shown below. Secure the Suspension Bar (D) with the Hex Screw (B), Washer (E) and the Hex Nut (F). Install the Suspension Bars (D) to your ceiling according to their distance.

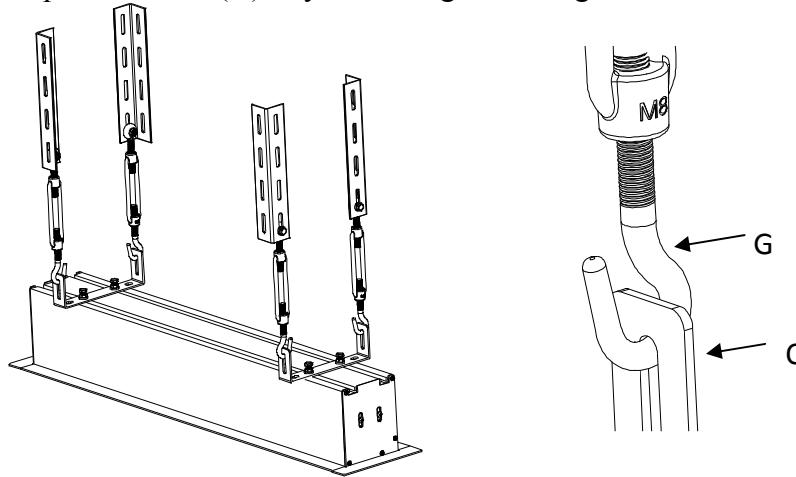


Optional Suspension Bar J-Hook (G)

1. Attach the Suspension Bar J- Hook (G) to the bottom of the Suspension Bar (D) and secure with the Hex Screw (B), Washer (E) and Hex Nut (F).



2. Attach the Suspension Bar J-Hook (G) to the Hanging Bracket (C) as shown in figure below. Install the Suspension Bars (D) to your ceiling according to their distance.



Optional Installation (parts & hardware not included)



Screw bolt X 4

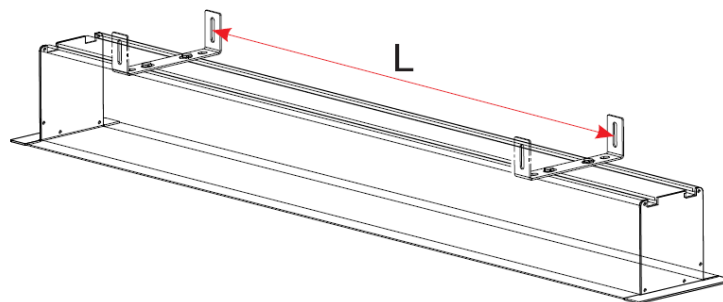


Washer X 8

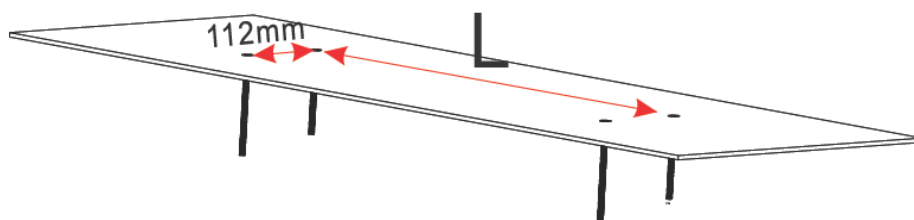


Nut X 8

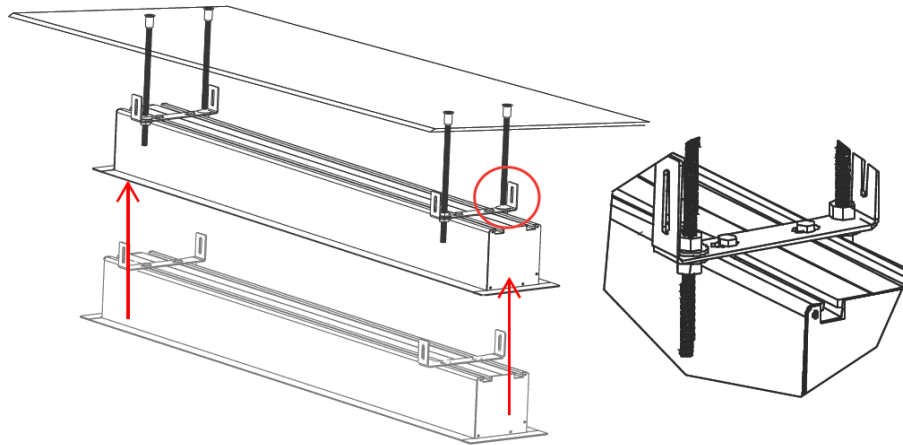
1. Place the Hanging Bracket (C) in the desired location on the screen's housing and measure the distance as shown below. (L = Distance)



2. Mark the location of where the screen will be installed according to the distance (L) and then secure the bolt to the ceiling.



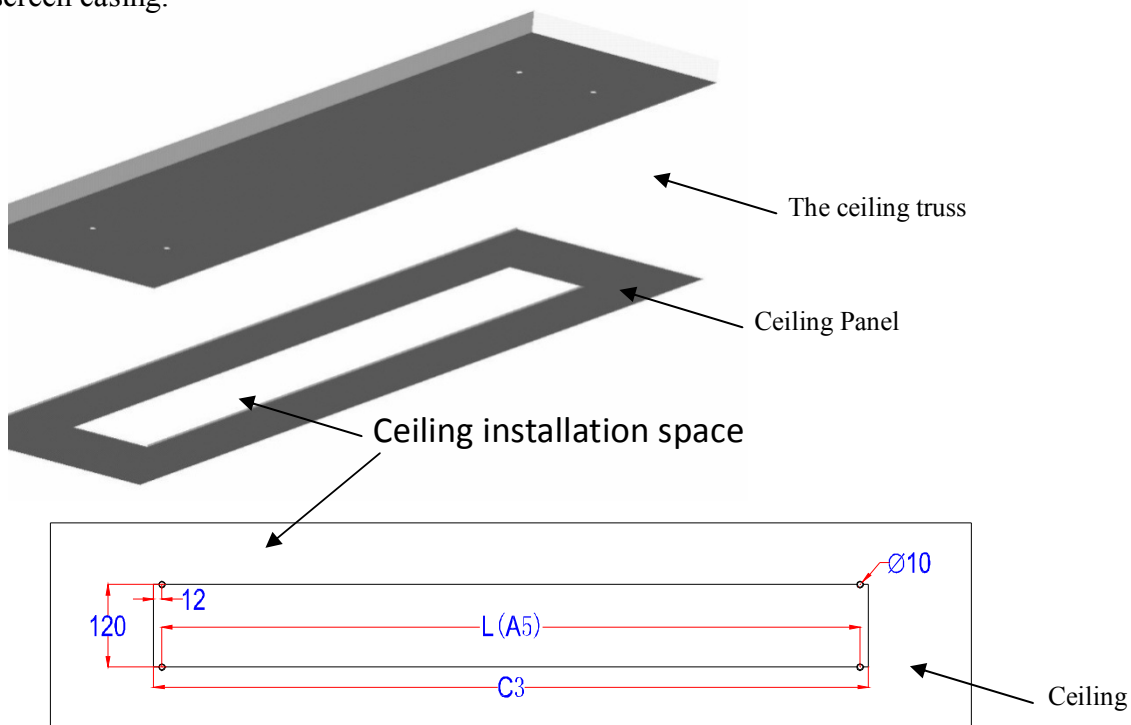
3. Install the screen to the screw bolt as shown in the figure below.



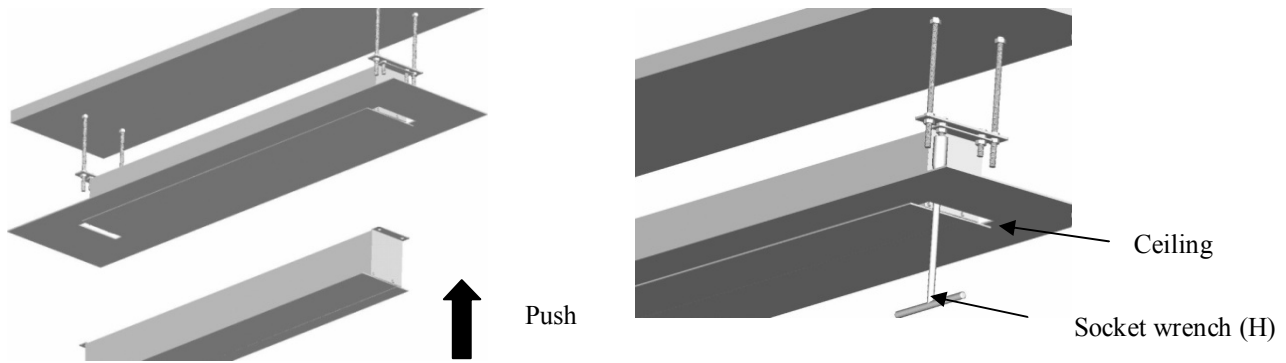
5.8 Below Installation Instructions

1. Measure and cut the ceiling installation space. The width should not exceed 120mm. Please refer to the length on the screen size table (C3).

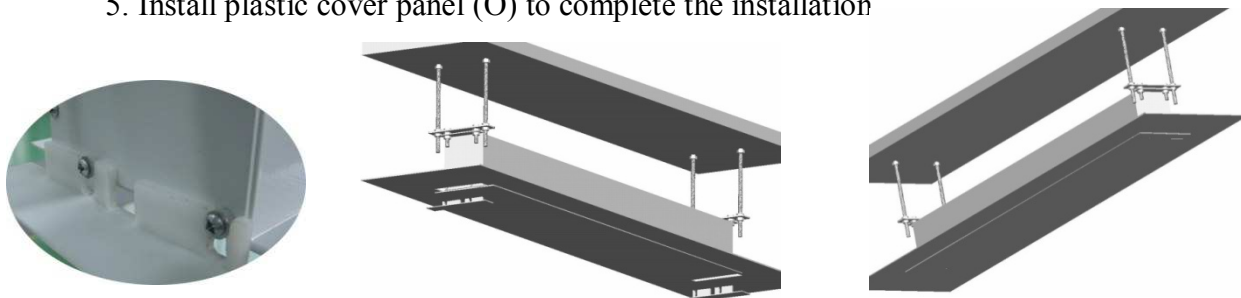
Note: The length of the installation space is not greater than the screen size table (C3), and the width is not less than the screen size table (A5). Consult the table below (C1) in regards to accommodating the screen casing.



- Push the screen up into the space. Use the threaded rods (I) to attach the screen assembly to the ceiling. The hexagonal screws (K) will connect the screen to the rest of the assembly. Once firmly in place, use the nuts (J) to ensure a firm connection. Use the socket wrench (N) to make sure that the bolts are firmly tightened.



- Install plastic cover panel (O) to complete the installation



Section 6: Product Specifications

6.1 Dimensions

6.1.1 Below Ceiling Installation Dimensions

Model	A	A1	A2	A3	A4	A5	B	B1	B2	B3	B4	B5	C	C1	C2	C3
Unit: Inches																
ITE84VW2-E8	67.2	3.7	79.6	82.0	80.6	79.2	50.4	8.0	62.3	4.6	67.0	3.9	3.9	5.8	4.7	81.5
ITE100VW2-E8	80.0	3.7	92.4	94.8	93.4	92.0	60.0	8.0	71.9	4.6	76.6	3.9	3.9	5.8	4.7	94.3
ITE120VW2-E8	96.0	3.7	109.1	111.4	110.0	108.7	72.0	8.0	83.9	4.6	88.5	3.9	3.9	5.8	4.7	111.0
ITE84HW2-E30	73.2	3.7	85.6	88.0	86.6	85.2	41.2	30.0	75.1	4.6	79.8	3.9	3.9	5.8	4.7	87.6
ITE100HW2-E8	87.2	3.7	99.6	102.0	100.6	99.2	49.0	8.0	60.9	4.6	65.6	3.9	3.9	5.8	4.7	101.5
ITE106HW2-E8	92.4	3.7	104.7	107.1	105.7	104.3	52.0	8.0	63.9	4.6	68.5	3.9	3.9	5.8	4.7	106.7
ITE120HW2-E8	104.6	3.7	117.0	119.4	118.0	116.6	58.8	8.0	70.7	4.6	75.4	3.9	3.9	5.8	4.7	118.9
ITE135HW2-E8	117.7	3.7	130.3	132.7	131.3	129.9	66.2	8.0	78.1	4.6	82.8	3.9	3.9	5.8	4.7	132.2
ITE94XW2-E30	79.7	3.7	92.4	94.8	93.4	92.0	49.8	30.0	83.7	4.6	88.4	3.9	3.9	5.8	4.7	94.3

PRODUCT WHITE PAPER

<http://www.elitescreens.com>



Model	A	A1	A2	A3	A4	A5	B	B1	B2	B3	B4	B5	C	C1	C2	C3
ITE126XW2-E8	106.9	3.7	119.3	121.7	120.3	118.9	66.8	8.0	78.7	4.6	83.3	3.9	3.9	5.8	4.7	121.2
ITE139XW2-E8	117.9	3.7	130.3	132.7	131.3	129.9	73.7	8.0	85.6	4.6	90.2	3.9	3.9	5.8	4.7	132.2
Unit: mm																
ITE84VW2-E8	1707	95	2022	2082	2047	2012	1280	203	1583	118	1701	100	98	148	120	2071
ITE100VW2-E8	2032	95	2347	2407	2372	2337	1524	203	1827	118	1945	100	98	148	120	2396
ITE120VW2-E8	2438	95	2770	2830	2795	2760	1828	203	2131	118	2249	100	98	148	120	2819
ITE84HW2-E30	1860	95	2175	2235	2200	2165	1046	762	1908	118	2026	100	98	148	120	2224
ITE100HW2-E8	2214	95	2530	2590	2555	2520	1245	203	1548	118	1666	100	98	148	120	2579
ITE106HW2-E8	2347	95	2660	2720	2685	2650	1320	203	1623	118	1741	100	98	148	120	2709
ITE120HW2-E8	2657	95	2972	3032	2997	2962	1494	203	1797	118	1915	100	98	148	120	3021
ITE135HW2-E8	2989	95	3310	3370	3335	3300	1681	203	1984	118	2102	100	98	148	120	3359
ITE94XW2-E30	2025	95	2347	2407	2372	2337	1265	762	2127	118	2245	100	98	148	120	2396
ITE126XW2-E8	2714	95	3030	3090	3055	3020	1696	203	1999	118	2117	100	98	148	120	3079
ITE139XW2-E8	2994	95	3310	3370	3335	3300	1871	203	2174	118	2292	100	98	148	120	3359

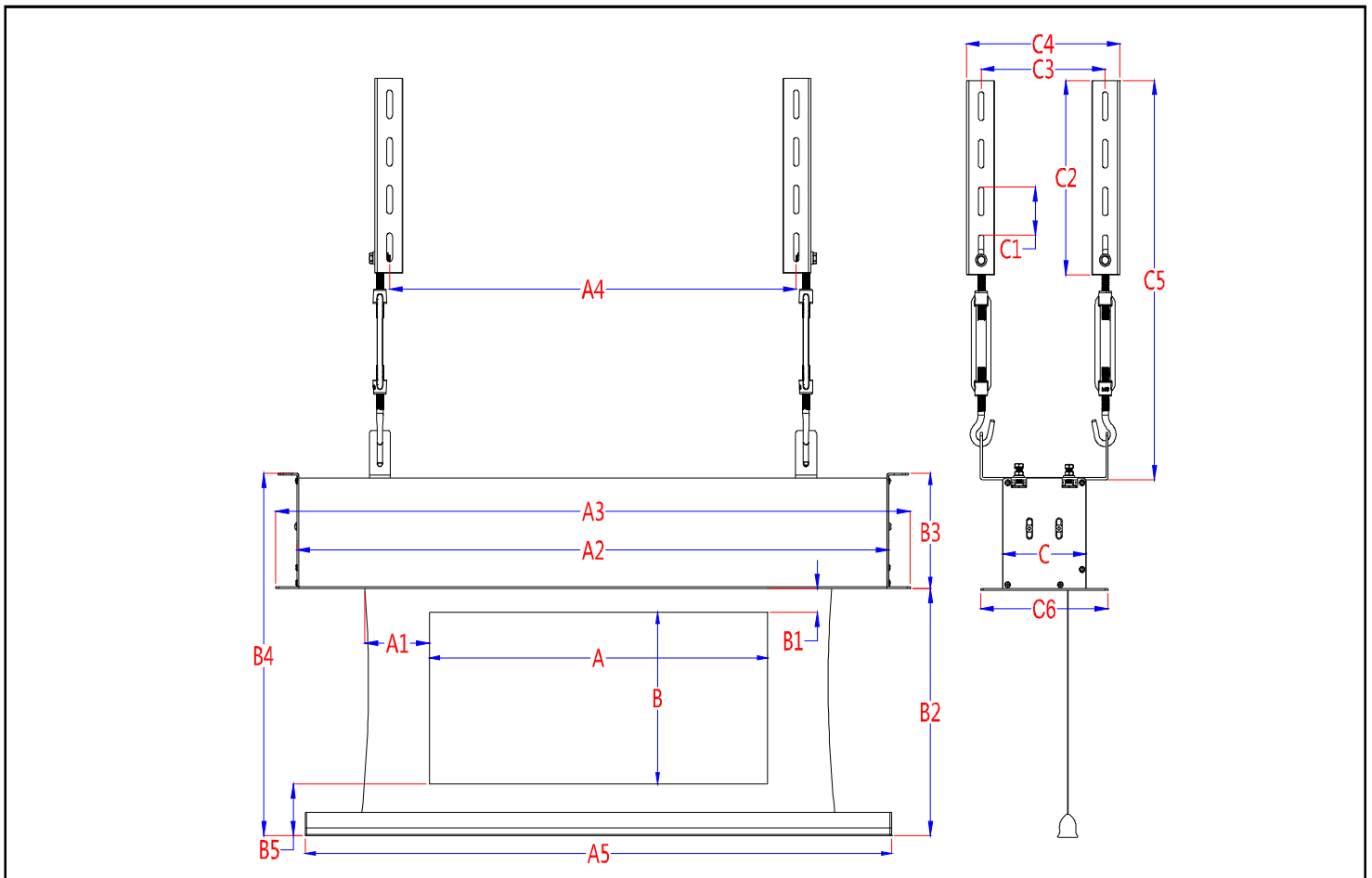
6.1.1 Above Ceiling Installation Dimensions

Model	A	A1	A2	A3	A4	A5	B	B1	B2	B3	B4	B5	C	C1	C2	C3	C4	C5	C6
Unit: Inches																			
ITE84VW2-E8	67.2	3.7	79.6	82.0	63.9	79.2	50.4	8.0	62.3	4.6	67.0	3.9	3.9	2.0	36.4	5.7	7.1	45.1-47.4	5.8
ITE100VW2-E8	80.0	3.7	92.4	94.8	76.7	92.0	60.0	8.0	71.9	4.6	76.6	3.9	3.9	2.0	36.4	5.7	7.1	45.1-47.6	5.8
ITE120VW2-E8	96.0	3.7	109.1	111.4	93.3	108.7	72.0	8.0	83.9	4.6	88.5	3.9	3.9	2.0	36.4	5.7	7.1	45.1-47.7	5.8
ITE84HW2-E30	73.2	3.7	85.6	88.0	69.9	85.2	41.2	30.0	75.1	4.6	79.8	3.9	3.9	2.0	36.4	5.7	7.1	45.1-47.9	5.8
ITE100HW2-E8	87.2	3.7	99.6	102.0	83.9	99.2	49.0	8.0	60.9	4.6	65.6	3.9	3.9	2.0	36.4	5.7	7.1	45.1-47.10	5.8
ITE106HW2-E8	92.4	3.7	104.7	107.1	89.0	104.3	52.0	8.0	63.9	4.6	68.5	3.9	3.9	2.0	36.4	5.7	7.1	45.1-47.11	5.8
ITE120HW2-E8	104.6	3.7	117.0	119.4	101.3	116.6	58.8	8.0	70.7	4.6	75.4	3.9	3.9	2.0	36.4	5.7	7.1	45.1-47.12	5.8
ITE135HW2-E8	117.7	3.7	130.3	132.7	114.6	129.9	66.2	8.0	78.1	4.6	82.8	3.9	3.9	2.0	36.4	5.7	7.1	45.1-47.13	5.8
ITE94XW2-E30	79.7	3.7	92.4	94.8	76.7	92.0	49.8	30.0	83.7	4.6	88.4	3.9	3.9	2.0	36.4	5.7	7.1	45.1-47.15	5.8
ITE126XW2-E8	106.9	3.7	119.3	121.7	103.5	118.9	66.8	8.0	78.7	4.6	83.3	3.9	3.9	2.0	36.4	5.7	7.1	45.1-47.18	5.8
ITE139XW2-E8	117.9	3.7	130.3	132.7	114.6	129.9	73.7	8.0	85.6	4.6	90.2	3.9	3.9	2.0	36.4	5.7	7.1	45.1-47.19	5.8
Unit: mm																			
ITE84VW2-E8	1707	95	2022	2082	1622	2012	1280	203	1583	118	1701	100	98	50	925	145	180	1145-1205	148

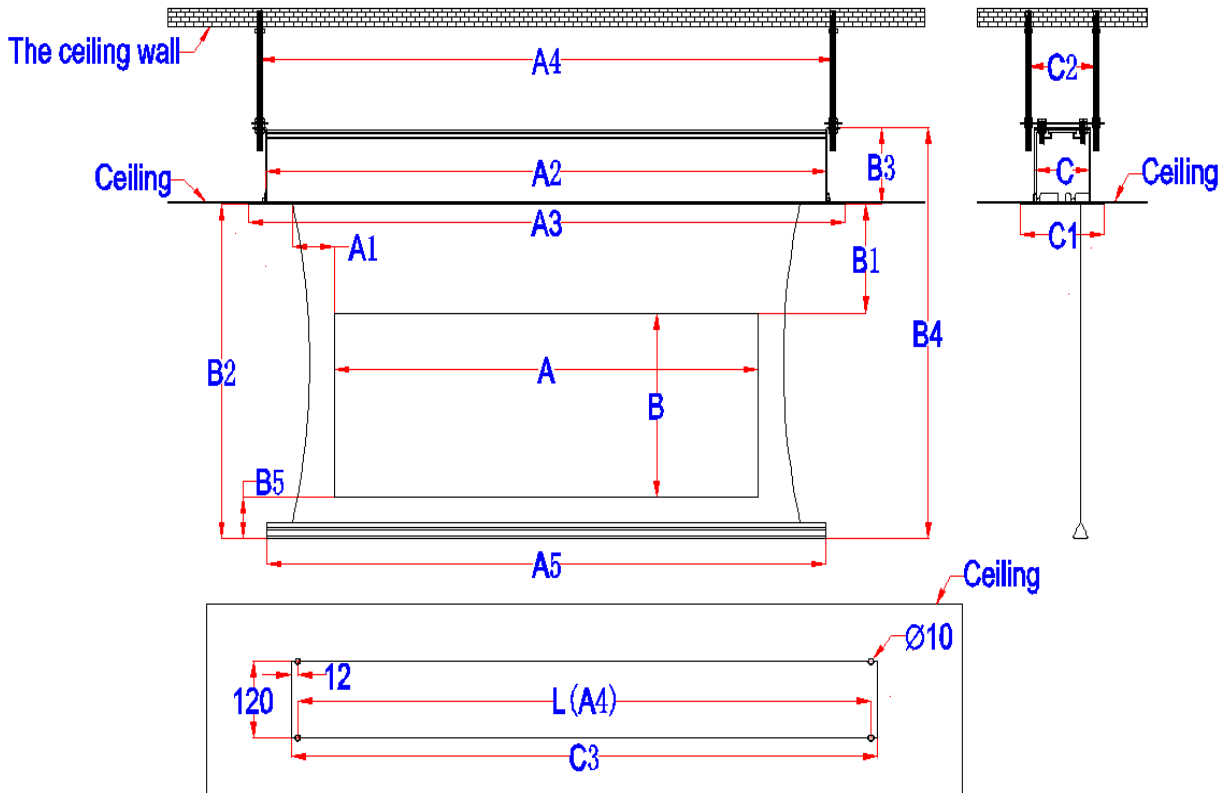
Model	A	A1	A2	A3	A4	A5	B	B1	B2	B3	B4	B5	C	C1	C2	C3	C4	C5	C6
ITE100VW2-E8	2032	95	2347	2407	1947	2337	1524	203	1827	118	1945	100	98	50	925	145	180	1145-1205	148
ITE120VW2-E8	2438	95	2770	2830	2370	2760	1828	203	2131	118	2249	100	98	50	925	145	180	1145-1205	148
ITE84HW2-E30	1860	95	2175	2235	1775	2165	1046	762	1908	118	2026	100	98	50	925	145	180	1145-1205	148
ITE100HW2-E8	2214	95	2530	2590	2130	2520	1245	203	1548	118	1666	100	98	50	925	145	180	1145-1205	148
ITE106HW2-E8	2347	95	2660	2720	2260	2650	1320	203	1623	118	1741	100	98	50	925	145	180	1145-1205	148
ITE120HW2-E8	2657	95	2972	3032	2572	2962	1494	203	1797	118	1915	100	98	50	925	145	180	1145-1205	148
ITE135HW2-E8	2989	95	3310	3370	2910	3300	1681	203	1984	118	2102	100	98	50	925	145	180	1145-1205	148
ITE94XW2-E30	2025	95	2347	2407	1947	2337	1265	762	2127	118	2245	100	98	50	925	145	180	1145-1205	148
ITE126XW2-E8	2714	95	3030	3090	2630	3020	1696	203	1999	118	2117	100	98	50	925	145	180	1145-1205	148
ITE139XW2-E8	2994	95	3310	3370	2910	3300	1871	203	2174	118	2292	100	98	50	925	145	180	1145-1205	148

6.2 Drawings

6.2.1 Below Ceiling Drawing



6.2.2 Above Ceiling Drawing



6.3 Pictures

Evanesce Tab-Tension Series Front View



PRODUCT WHITE PAPER

<http://www.elitescreens.com>



Housing Detail



PRODUCT WHITE PAPER

<http://www.elitescreens.com>



Tab-Tensioning and Weight Bar Detail



Life Style

Evanescence Tab-Tension Series Above Ceiling Installation (Closed)



Elite Screens Inc. | Elite Screens Europe GmbH | Elite Screens France SAS | Elite Screens India
Elite Screens China Ltd. | Elite Screens Taiwan Corp. | Elite Screens Japan | Elite Screens Australia

PRODUCT WHITE PAPER

<http://www.elitescreens.com>



Evanesce Tab-Tension Series Above Ceiling Installation (Open)





Section 7: About Elite Screens

7.1 Company Description

Elite Screens Inc. is a California based company that specializes in making quality commercial and home-theater projection screens for the retail and custom install sales channels. Our company began as an innovative venture into the projection market by manufacturing veterans from the AV/IT industry. Elite Screens quickly established itself as an entry level commercial and home theater screen manufacturer. This was accomplished by making a quality product cost effective with a focus on mass-producing screen material, sizes and aspect ratios that were most commonly preferred by AV customers in general. We focused on uniformity with what would match the mainstream demographic while including extra features that are not usually included by other manufacturers. In time, we progressed from just retail sales into the realm of custom installer/integrator manufacture as our numerous reviews and awards will attest. We stand behind our product and are so certain of customer satisfaction with the quality of our product that we offer a 2-year manufacturer's warranty which is twice the industry standard. In our continued devotion to excellence in products and service, we are committed to implementing green practices with our production. We have adopted manufacturing methods that promote conservative regulation of our energy needs. Our simple product designs combined with the expertise of our permanent staff ensures that our entire line of products are made by experienced hands devoted to the high standards of today's audio-video consumer.

###