

Product data sheet

PFW 4710

Dimensions in mm [inch]

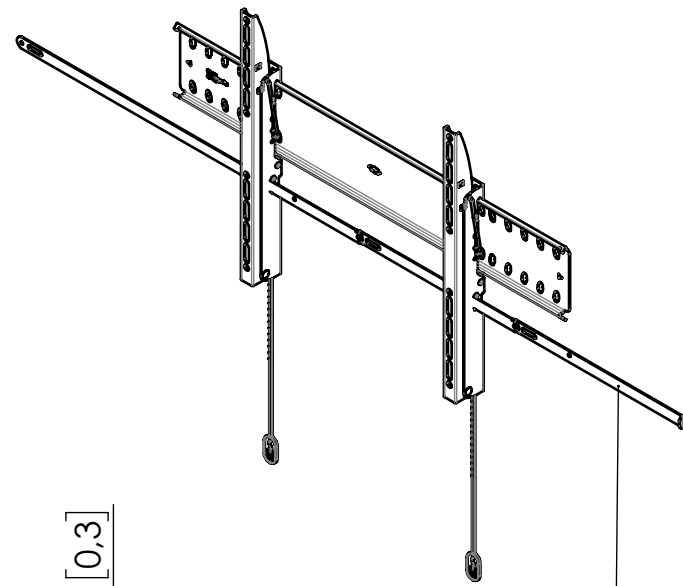
Screen sizes: 55" - 65"
Max weight: 75kg

Wall mounting kit:

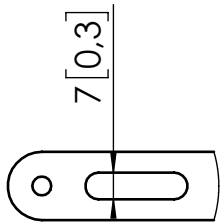
6X SREW/BOLT PROF SW13 7X80
6X FISCHER PLUG UX10

Screen mounting kit:

4x M6x16 POZIDRIVE
4x M6x25 POZIDRIVE
4x M8x20 POZIDRIVE
4x M8x40 POZIDRIVE
4x WASHER M8x16x1.6
4x SPACER D12xD8x10
4x SPACER D12xD8x5



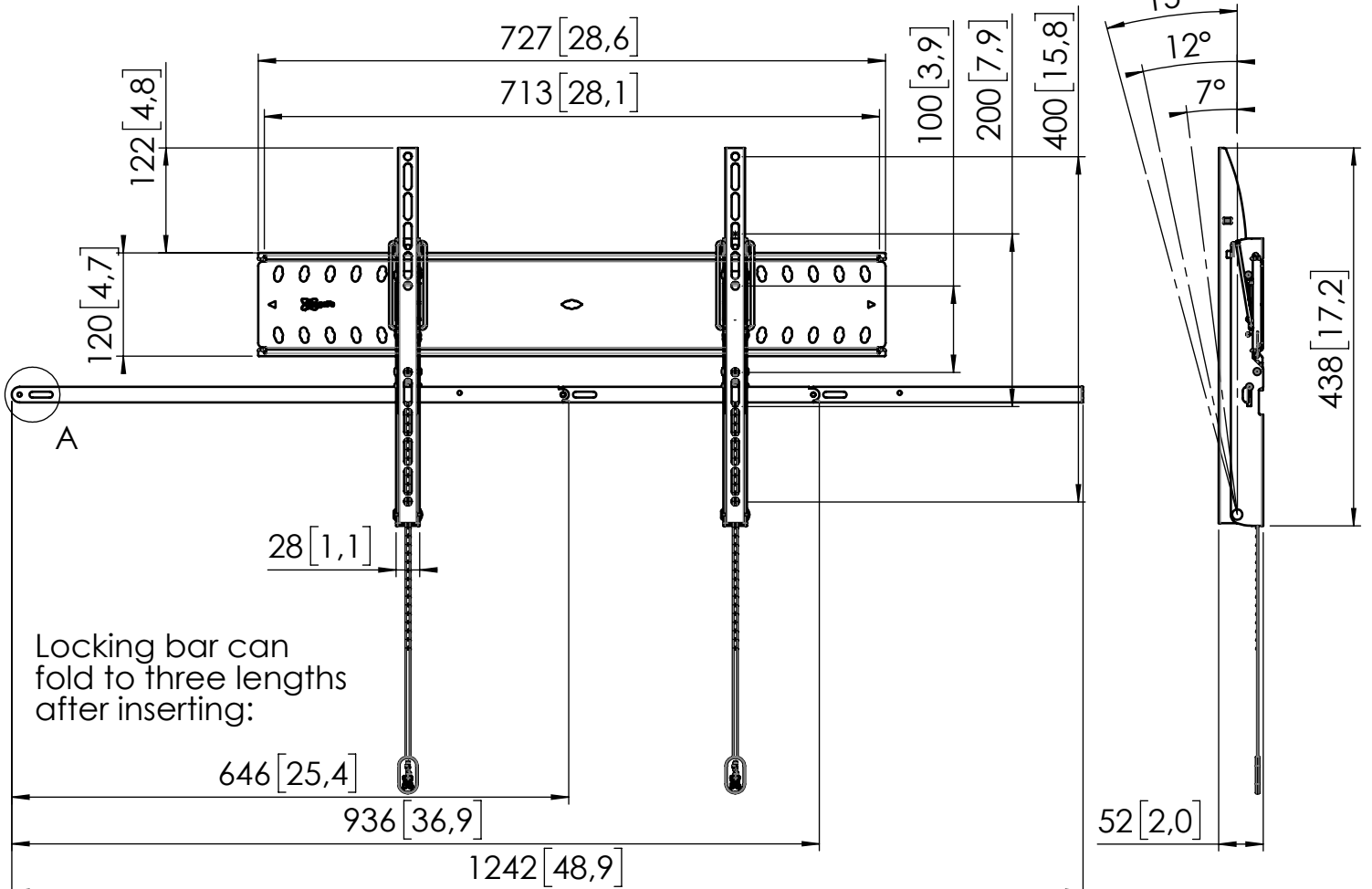
Removable locking bar



A (1 : 2)

VESA pattern:

Fixed tilt angles



Note: This document and specifications herein are confidential and the exclusive property of Vogel's Products b.v. Neither this design nor any information contained in this drawing may be reproduced or disclosed to others without written consent of Vogel's Products b.v. The design and information will not be reproduced, copied or used, either in part or in its entirety, as the basis for the manufacture or sale of items without written permission.
Warning: Please study all instructions and illustrations carefully before installation.
Information in this document is subject to change without further notice.

SWD-001846
Product data sheet
P.RD.F10-rev2