

PFT 8530 Trolley Frame silver

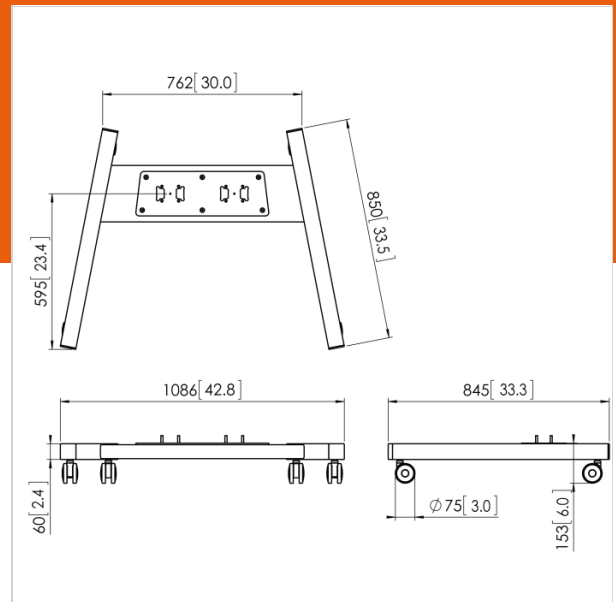
Article number (SKU) 7328534
 Colour Silver

Key benefits

- TÜV certified

The PFT8530 trolley frame is a part of the modular Connect-it system with which you can create a mobile solution. The double pole construction allows it to be used for large- to extra large-sized displays. The extra stability makes it ideal for interactive displays.

Vogel's Connect-it floor solutions (floor stands and trolleys) is an uniquely flexible system. With only a few standard components, you can create a solution for almost any requirement. From a single display floor stand in a shop window, a back-to-back display set-up in an airport, to a movable video conferencing set-up for corporate use, the flexible Connect-it floor solutions line fits every situation. Connect-it floor solutions can accommodate displays from small to extra large, weighing up to 160 kg. Connect-it floor modules are available in black and silver to fit any interior décor.



PFT 8530 Trolley Frame silver



VOGEL'S HOLDING BV 2017 (c) All rights reserved
Subject to printing errors, technical and price
amendments
Date: 13-11-2017

www.vogels.com

Specifications

Product specifications

Product type number	PFT 8530
Article number (SKU)	7328534
Colour	Silver
EAN single box	8712285323966
TÜV certified	Yes
Guarantee	5 years

Features

Professional features Wheels

Technical specifications and dimensions

Height of floor plate/trolley frame (mm)	155
Length of floor plate/trolley frame (mm)	849
Width of floor plate/trolley frame (mm)	1084

