

DM858

4x20W WiFi Music Amplifier with SD/Bluetooth/AUX/AirPlay/DLNA



Description

DM858 is an intelligent audio player with modern minimalist design and all-metal precision body integration. Three colors to choose: black, white and gold. The color and texture seamless can blend in with any home styles. It is adhering to the modern, stylish, elegant design concept, full touch display, graphical operation interface, more intuitive operation.

Features

- Ultra directional sound beam
- Modern minimalist design and all-metal precision body integration. The color and texture seamless can blend in with any home styles.
- The 7-inch industrial display, long display life; capacitive touch, full screen operation, fast and smooth reaction.
- 64-bit 4-core Cortex-A53 CPU architecture, Mali400MP2 GPU graphics processor, support H.265 4K video hardware decoding.
- With local music, Internet music, Internet radio, Bluetooth and AUX input audio play methods.
- Built-in high-performance Hi-Fi digital amplifier, 4-channel signal output.
- Can realize dual-zone independent control, volume independent adjustment.
- Built-in SIGMADSP audio processor, 10-section EQ adjustment, to realize a variety of sound selection.
- Support multiple audio format: MP3、WAV、FLAC.
- According to "Auditory Weber's Law," a unique exponential volume adjustment technique that adapts to the human ear's listening characteristics.
- Built-in automatic calibration and schedule function, according to week and date, schedule songs, volume adjustable.
- Support WiFi, Bluetooth 4.0, wired network.
- Built-in microphone, in the same LAN can implement multiple devices intercom call.

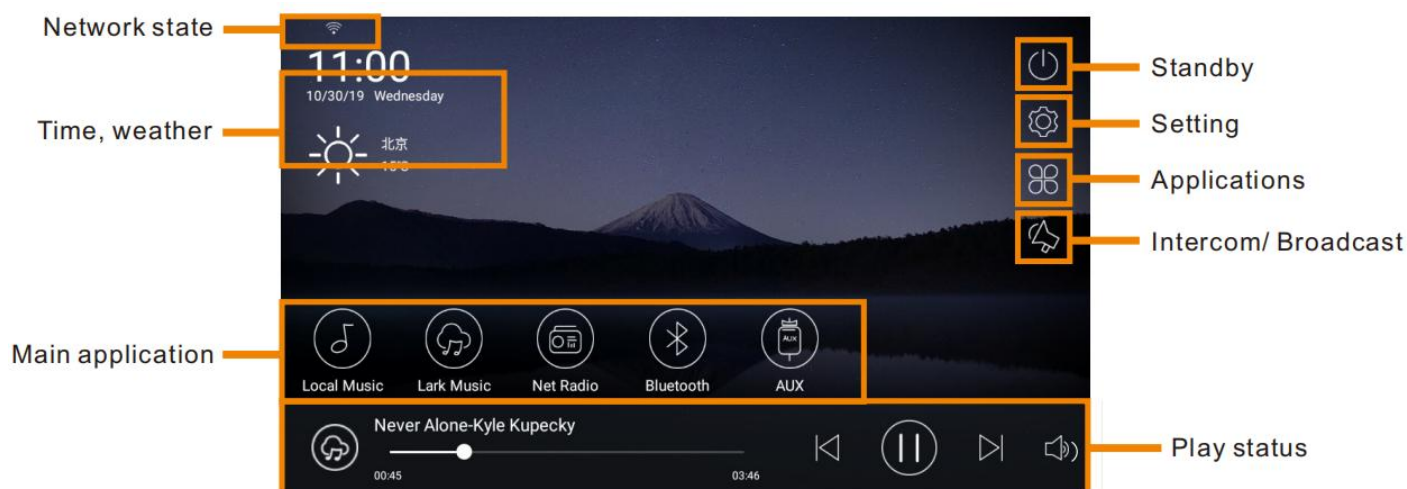
- With 2-channel I/O input, 2-way relay output.

Specifications

Model	DM858	
Amplifier System	Max.Power	4×20W/8Ω
	Freq.Response	20Hz-20KHz
	Distortion	≤0.1%
	SNR	≥81dB
	Performance	64-bit quad-core CPU, 4k hard decoding
Audio Input	AUX Input Sensitivity	1.0V/0.5V optional
Audio Output	LINE Output	1.0V
Control Interface	I/O Port Input	5-24V DC, photoelectric isolation
	I/O Port Output	Relay normally open output
	RS485	9600bps
Network	Network Interface Standard	RJ45 10/100M
Other specifications	Audio source	Local music, network music, network radio, Bluetooth connection, auxiliary input
	Bluetooth Standard	Bluetooth4.0
	Bluetooth Transmission Distance	10m
	Power Input	100-240V/50Hz/60Hz
	Dimension (H×W×D)	124×175×52mm
	Package Size	330×441×130mm
	G.W.	7 kg

Basic Function

1. Main Interface



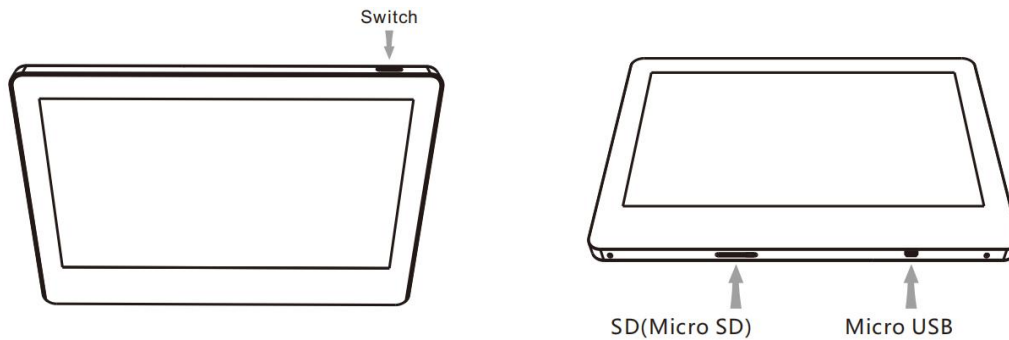
Icon Introduction:

“🔊” Volume Control “▶” Play/ pause “◀” Previous “▶” Next

2. Switch Device / Standby Operation

Power-on: Press power switch at the right upper corner for two seconds, system start, enter the main interface.

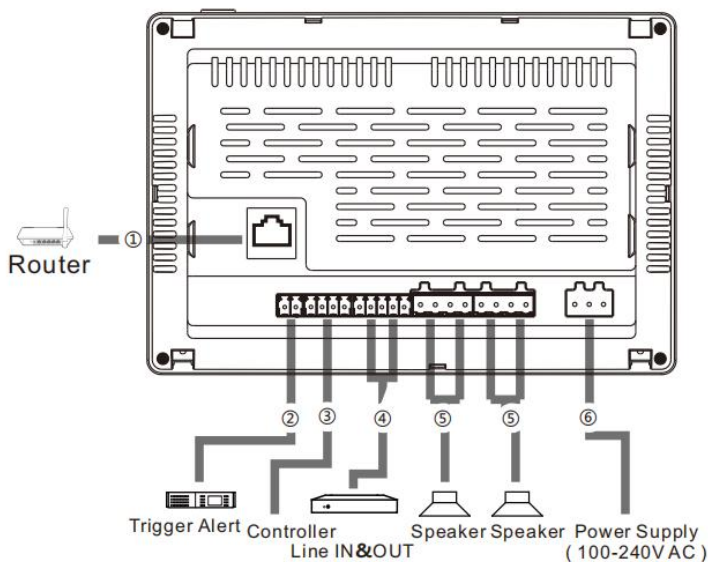
Shutdown / Restart: When the power button is pressed, the screen prompts shutdown and restart, click Shutdown or Restart.



Standby: In the main interface state, touch “⏻” icon into standby, the system can still accept smart phone control.

Cancel standby: In standby state, the finger slides the screen display area to start it.

Connection Diagram



Caution: Please wiring according to the terminal table

Recommended connection cables:

- ① CAT 5 cable
- ② 24AWG 2-pin cable
- ③ 24AWG 2-pin cable
- ④ 2x0.3mm²Double-shielded audio cable
- ⑤ 2x100 audio cable
- ⑥ 2xRV1.0mm²copper core flexible wire

Note: All wire connectors should not be exposed.