

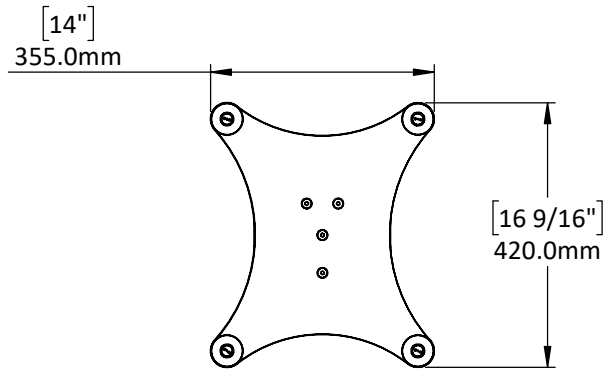
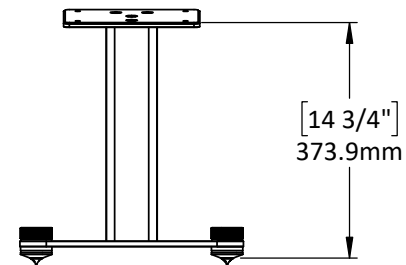
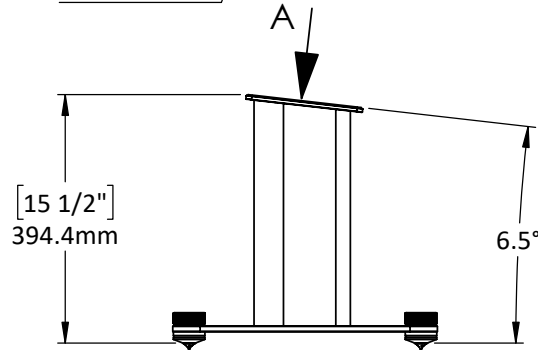
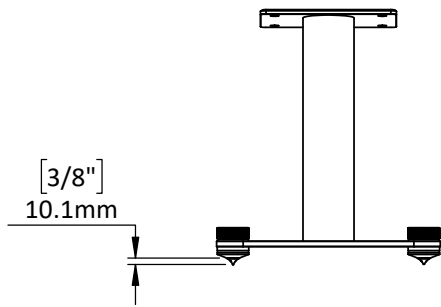
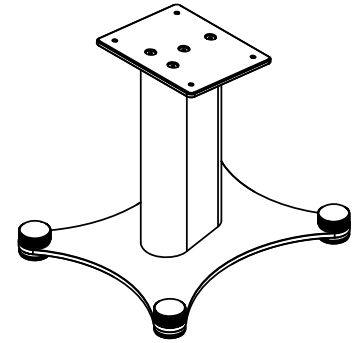
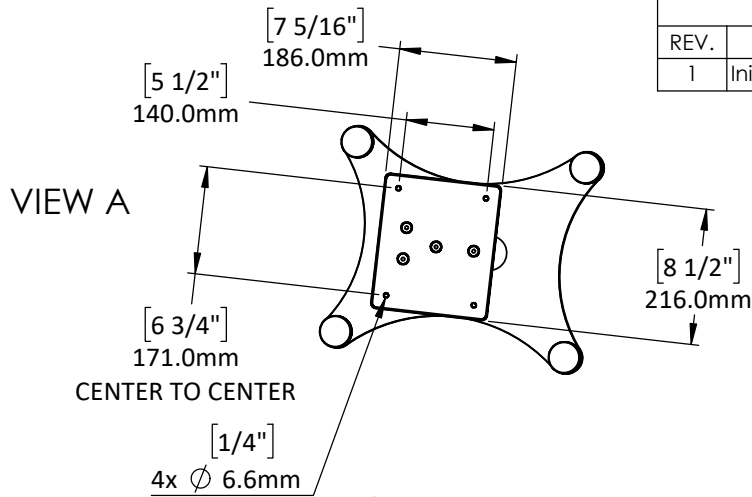
4

3

2

1

REVISIONS		
REV.	DESCRIPTION	DATE
1	Initial Design	11/11/2021



Notes: HIGH GLOSS BLACK

**PROPRIETARY AND CONFIDENTIAL**  
 THE INFORMATION CONTAINED IN THIS DRAWING IS THE SOLE PROPERTY OF PERLISTEN AUDIO, LLC. ANY REPRODUCTION IN PART OR AS A WHOLE WITHOUT THE WRITTEN PERMISSION OF PERLISTEN AUDIO, LLC IS PROHIBITED.

NAME	DATE	
TITLE:		Sheet1
SIZE	DWG. NO.	REV
<b>A</b>	<b>RSC-HGB_Architectural</b>	<b>1</b>
SCALE: 1:12		SHEET 1 OF 1

2

1