

Steinway & Sons P300 2.1

OWNER'S MANUAL

Table of Contents

Compliance	5
WEEE	5
FCC	5
Pre-Installation	6
Unpacking the Product	6
Inventory	6
LED Signaling	6
Operating Voltage	6
Ventilation Requirements	7
Heat output	7
Cables and Plugs	7
Connecting	7
Home Automation System Integration	8
IP Control	8
Preparing for Mounting in a Rack	8
Rear Panel	9
Remote	10
How to Pair Remote	11
Switching the Remote to RF or IR Mode	11
Setup Procedure	12
Installation via OSD	13
Installation via Web Interface	13
HOME Screen	14
SETUP	14
Source	14
Create	14
<i>Source name</i>	14
<i>Lipsync offset</i>	14
<i>Volume offset</i>	14
<i>Audio input</i>	14
<i>Default post processing</i>	14
<i>Default voicing</i>	14
<i>Video input</i>	15
<i>Preset vTuner station</i>	15
<i>Speaker configuration</i>	15
<i>Trigger out</i>	15
Edit	15
Arrange	15
Delete	15

STEINWAY L Y N G D O R F

Speaker and Room	16
Speaker Configuration	16
<i>Manage</i>	16
<i>Verify speakers</i>	16
RoomPerfect™	16
<i>Focus position</i>	16
<i>Edit distance</i>	16
<i>How to measure distances to speakers and subwoofers</i>	16
How to Set Up RoomPerfect™	18
Volume Setting	18
RoomPerfect™ Preparations	18
Placing the Microphone in the Focus Position	18
Measuring the Focus Position	19
Measuring Random Room Positions	19
Calculation of Focus and Global Filters	20
Video Setup	21
Video Output	21
Video Input	21
<i>Video Settings</i>	21
<i>Audio</i>	22
<i>HDMI Bandwidth</i>	22
Audio Setup	23
Audio Processing	23
Voicing Setup	23
<i>Editing and adding voicings</i>	23
Zone B	23
Setup	23
System Configuration	24
General Setup	24
<i>Power management</i>	24
<i>Default volume settings</i>	24
<i>HDMI CEC settings</i>	24
<i>Display timeout</i>	24
<i>Password protection</i>	24
<i>Control of speaker setups</i>	24
<i>Show bypass</i>	24
<i>Enable front IR sensor</i>	24
<i>OSD info level</i>	25
Trigger In Setup	25
Trigger Out Setup	25
Network Configuration	25
Streaming Setup	25

STEINWAY L Y N G D O R F

Manage Software	26
Software Information	26
Network Information	26
Backup	26
Restore	26
Factory Reset	26
Software Update	26
Update from Local Files	26
Update via OSD Interface	27
Update from Remote Files	27
Troubleshooting	28
RoomPerfect™	28
Error Messages	28
<i>No microphone connected</i>	28
<i>Fault – No signal</i>	28
<i>Fault – Signal clipping</i>	28
<i>Fault – Low signal</i>	28
Can't Turn on via LAN or Control System	29
Retrieving and Sending an Error Log	29
3D Compatibility Not Detected	29
Remote Control Doesn't Work	29
Network Setup	30
Connecting to Model P300 2.1 with a Network Cable	30
Set Up a Fixed IP Address in Windows XP or Windows 7	31
Set Up a Fixed IP Address in Windows Vista or Windows 10	32
Trademarks	33
Service Information	34

Compliance

WEEE

The European Parliament and the Council of the European Union have issued the Waste Electrical and Electronic Equipment Directive. The purpose of the Directive is to prevent waste of electrical and electronic equipment and to promote reuse, recycling, and other forms of waste recovery. Steinway Lyngdorf products and the accessories packed with them are subject to the WEEE Directive. Please dispose of any waste materials in accordance with your local recycling regulations. Products and equipment which must be collected for reuse, recycling, and other forms of recovery are marked with the icon of the crossed-out waste receptacle.



FCC

Steinway Lyngdorf products and accessories comply with parts 15 and 68 of the FCC rules. Operation is subject to the following two conditions: (1) this device may not cause harmful interference; and (2) this device must accept any interference received, including any interference that may cause undesired operation. Model A1/A2 amplifier and Model P300 2.1 processor contain TX FCC ID: TYOJN5139M0.

Changes or modifications not expressly approved by the party responsible for compliance could void the user's authority to operate the equipment. Equipment marketed to a consumer must be capable of complying with the necessary regulations in the configuration in which the equipment is marketed.

Pre-Installation

Please read all material carefully prior to installation. If you need additional assistance, contact your Steinway Lyngdorf representative or email service@steinwaylyngdorf.com.

Unpacking the Product

Carefully remove the unit and accessory kit from the carton and check for shipping damage. Contact both the shipper and your Steinway Lyngdorf representative immediately if the unit bears any sign of damage.

Note: Keep the shipping carton and all packing material for future use. If this unit is shipped without the original packing, damage could occur and void the warranty.

Inventory

Check the list below to ensure that all necessary product components have been delivered. Report all discrepancies to your Steinway Lyngdorf representative immediately.

Power cord
Link cable
Remote

LED Signaling

Red: Standby / On
Orange: Switching on
Blinking: Updating software

Operating Voltage

Steinway Lyngdorf products must be connected to the mains power system only. The Model P300 2.1 will automatically detect the voltage between 110-230v.

Ventilation Requirements

The Model P300 2.1 does not have a built-in fan, nor does it require special measures to ensure proper heat dissipation. However, it should be placed according to the guidelines below:

It should always have at least one inch of free space on all sides.

It should be placed in an environment free of excessive heat.

In a rack system, the Model P300 2.1 should be placed at the bottom of the rack.

Heat output

Maximum: 85W / 290 BTU/hr.

Cables and Plugs

Use only mains cables and power plugs approved by Steinway Lyngdorf. Using other types may cause damage to the system and will void the warranty.

Connecting

For cabling between the processor and amplifiers, please use RJ45 to RJ45 B standard cables. Use only cables and connectors approved by Steinway Lyngdorf. Poor quality cables may violate safety/ EMC regulations as well as cause noise and interference.

For cable lengths less than 1 meter, use CAT5E/shielded CAT6 cable.

For cable lengths in excess of 1 meter, use double-shielded CAT5E cables.

All RJ45 connectors should be shielded.

Please refer to the wiring diagram supplied by Steinway Lyngdorf to determine which cables you need.

Home Automation System Integration

The Model P300 2.1 is compatible with home automation systems via the RS232 and network connector on the rear socket panel. The Model P300 2.1's IR and trigger connections can also be programmed for use in a home automation system.

IP Control

Open a TCP connection on port 84 and use the same protocol as on the serial interface (see Model P300 2.1 Serial Control Manual). Use Telnet, Putty, or similar programs to open the TCP connection.

If you do not know the IP address of the Model P300 2.1 on your local network, the Model P300 2.1 supports Apple's Bonjour Discovery service, which must be on the computer you want to set up the Model P300 2.1 with. The software is built-in as part of the Apple OS X operating system (not iOS devices). For Windows operating systems, the software can be found at <http://www.apple.com/support/bonjour/>

Pressing the OK button on the remote and toggling through Info will also display the current IP address of the unit.

Access the Model P300 2.1 by going to <http://P300.local> in your browser.

Preparing for Mounting in a Rack

The Model P300 2.1 processor is equipped from the factory with feet for free-standing placement on a shelf, table, or rack.

To install the Model P300 2.1 in a rack:

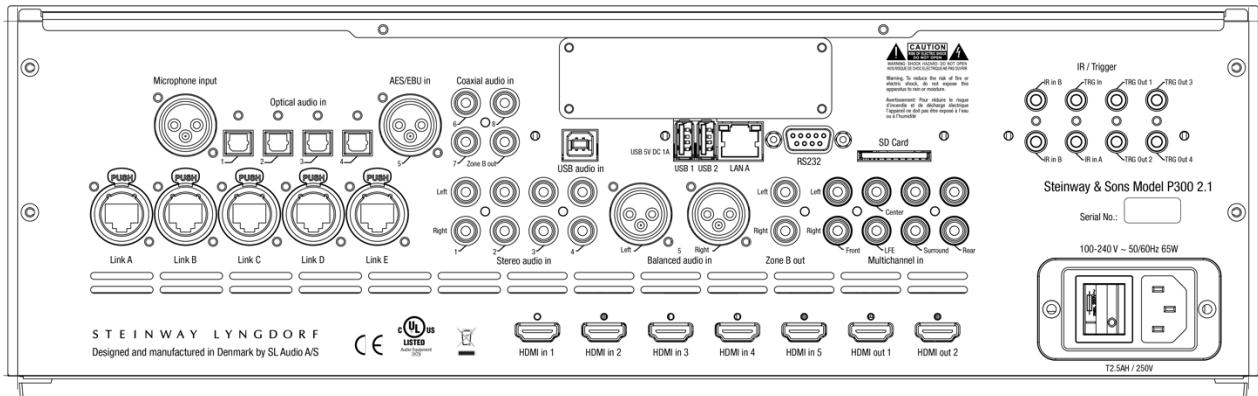
Turn the Model P300 2.1 upside down and place it on a stable, even surface.

The screws used to fasten the rack brackets to the bottom of the Model P300 2.1 are in the holes designated for the brackets when the product leaves the factory.

Fasten the brackets for rack mounting to the Model P300 2.1.

Mount the Model P300 2.1 in a rack.

Rear Panel



On the back of the Model P300 2.1, you will find a range of inputs and outputs:

Various optical, coaxial, and analog stereo audio inputs.

5 HDMI inputs and 2 HDMI outputs. eARC on HDMI OUT 1

1 trigger input and 4 trigger outputs

2 IR inputs (IR in A and B) and 1 IR connector output (IR in B - duplicated)

2 LAN connectors:

LAN A for Ethernet connection on the local network. IP control is supported.

LAN B for connecting other products to the local network.

2 USB connectors, for music file playback, software updating, etc.

1 streaming USB input

1 SD card slot for storing backup data

1 microphone input for the RoomPerfect™ room correction microphone

1 RS-232 connector for serial control of the unit

1 16-channel DCI-compliant digital AES/EBU input (optional upgrade)

1 16-channel AES67 digital AES/EBU output (optional upgrade)

5 Digital Link outputs for connecting Steinway Lyngdorf's amplifiers

Note: In Standby mode, only LAN A is active; LAN B connector is not active.

Note: HDMI 2.1 has a higher bandwidth and requires HDMI 2.1 8K compliant cables. Please check that the cable is HDMI certified with a "HDMI 2.1 Ultra High Speed" label.

Note: Using optical HDMI cables will require using a USB connection for power supply, as the HDMI connector provides max. 5V/50mA. Please check that the cable is HDMI certified.

Remote

The Model P300 2.1 comes with a dedicated RF and IR remote control for installations and everyday use.

Setup	Access the installation menu.
Standby	Turn the Model P300 2.1 on and into standby.
Audio	Access the post-processing menu.
PiP	“Picture-in-picture” and other multi-view formats.
Up/Down	Move up and down in menus. Browse available settings in a menu. Toggles between the available RoomPerfect™ filters.
Left/Right	Move left and right in menus. Toggle between neutral and the available voicings.
OK	Activate the info screen, indicating the status of the unit. Select a menu and store a selected setting.
Back	Return to the previous menu.
Menu	Access the user menu.
SRC	Access the source menu list.
Source +/-	Toggle between active sources.
Volume +/-	Turn volume up and down.
Mute	Mute and restore the sound.
Play/Pause	Play/pause the currently playing track of the media player.
Skip Forward / Backwards	Skip in the current playlist in the media player.



How to Pair Remote

The remote control is paired to the Model P300 2.1 at the factory, and you only need to pair it again if you have a new Model P300 2.1 or remote. To pair the RF remote control to a Model P300 2.1:

Turn on the Model P300 2.1.

Hold down the Play & OK buttons until the remote control's green LED flashes.

Point the remote control at the Model P300 2.1 and hold it within 30cm / 1 foot of the front panel; when the green LED stops blinking, the remote is connected via Zigbee.

The remote will be paired to the Model P300 2.1.

To reset the pairing of the remote control, press Back and OK until the red LED flashes twice.

Switching the Remote to RF or IR Mode

To switch the remote from RF to IR mode, hold down the OK and 1 buttons. The LED will flash red twice.

To switch the remote from IR to RF mode, hold down the OK and 2 buttons. The LED will flash green twice.

Setup Procedure

Set up the Model P300 2.1 surround sound processor by following these steps:

Check that the mains voltage switches on the A1/A2 amplifiers is correctly set to either 115V or 230V.

ID-assign all Model A1/A2 amplifiers via dip-switches on the A1/A2 socket panel according to the project-specific wiring diagram.

Connect speakers to the Model A1/A2 amplifiers.

Connect Model A1/A2 amplifiers to the Model P300 2.1 as shown in the project-specific wiring diagram.

Connect all external equipment, such as a Blu-ray player or home automation system, to the Model P300 2.1, including inputs, outputs, and mains.

Connect power to the Model P300 2.1, the amplifiers, and all connected audio and video sources.

Switch on the Model P300 2.1.

Access Installer menu via Web or the remote and OSD.

Go to Speaker and room - -> Manage and add the Speaker Configuration file from a USB stick.

Verify speaker setup by going to Speaker and room, select your speaker configuration and press Right on the remote to select the setup. At the bottom of the screen, select and press Verify Speakers.

Check speaker phases (refer to speaker owner's manuals).

Run RoomPerfect™ Guided Setup.

Set up sources, zones, etc.

Save and back-up settings.

Installation via OSD

We recommend setting up the Model P300 2.1 via the OSD setup guide. Connect a screen to the Model P300 2.1 using any of the video output sockets on the back. Access the menu system by pressing the Setup button on the remote control.

Note: There are some differences between the options available via the web interface and OSD. This is a description of how to set up via the web interface.

Installation via Web Interface

You will need a computer, and the Model P300 2.1 must be connected to an existing network, or you may use a crossover network cable for direct connection.

If you do not know the IP address of the Model P300 2.1 on your local network, the Model P300 2.1 supports Apple's Bonjour Discovery service, which must be on the computer you want to set up the Model P300 2.1 with. The software is built-in as part of the Apple OS X operating system (not iOS devices). For Windows operating systems, the software can be found at <http://www.apple.com/support/bonjour/>

Access the web menu by typing <http://P300.local/> in your browser.

Alternatively, you can connect a screen to the Model P300 2.1 using any of the video output sockets on the back. Access the menu system by pressing the Setup button on the remote control.

Pressing the OK button on the remote and toggling through Info will display the IP address of the unit.

HOME Screen

The HOME screen refers to the daily operation as performed with the remote control. The page displays selected input and formats.

Loudness management turns on a traditional loudness function for low playback level as well as functions dedicated to the specific formats being decoded. These functions are managed in the setup menu: Audio Setup / Audio Processing.

The interface for controlling the built-in media streamer is found in the bottom section of this page. For information as to the use of the interface see section for Streaming Setup.

SETUP

The SETUP screen refers to all basic settings and option in the installation of the processor.

Source

In the Source menu, you can register the individual sources connected to the Model P300 2.1 by the audio and/or video input sockets they use.

Create

Source name

Input the name for the source.

Lipsync offset

Set delay time in milliseconds to ensure that the video and audio signals are played back simultaneously.

Volume offset

Enables you to match input levels from different sources.

Audio input

Select the audio input.

Default post processing

Select the default audio mode.

Default voicing

Select the default voicing.

S T E I N W A Y L Y N G D O R F

Video input

Select the video input.

Preset vTuner station

Select and preset a vTuner internet radio station.

Speaker configuration

Select which speaker configuration to use.

Trigger out

Choose which trigger output to activate when using this source.

Audio input

Select the audio input.

This procedure must be followed for all connected sources.

Edit

Edit all enabled sources.

Arrange

Arrange the order of sources by making a prioritized list.

Delete

Delete enabled sources.

Remember to press accept after making selections.

Speaker and Room

The Speaker and Room menu provides information about the current speaker configuration, allowing you to select a configuration that is stored on the Model P300 2.1, on a laptop, or on a connected memory stick.

Speaker Configuration

Manage

Add or delete speaker config files.

To add a file, insert a USB stick with the speaker configuration file you have received from your Steinway Lyngdorf representative, select the file and press Add. The speaker configuration will be added to the Speaker Configuration list. After adding the speaker configuration, it will be visible as a menu below Speaker Configuration. Press Left on the remote to select it.

Verify speakers

Press the Verify Speakers button to verify your setup.

RoomPerfect™

Focus position

The focus filter improves the sound quality at a specific listening position. This makes the focus filter the best solution for optimal sound quality at a single listening position.

It is possible to add multiple focus positions. This must be done after RoomPerfect™ has been set up completely.

Edit distance

Be sure to select the unit of measure, then enter the distances to the speakers and woofers.

How to measure distances to speakers and subwoofers

The best results are obtained by using a laser-equipped measuring device. Before starting, place the RoomPerfect™ microphone at listening height in the main listening position. For each channel, measure the straight-line distance through the air from the tip of the RoomPerfect™ microphone to the center of the tweeter unit in the loudspeaker in question. Do not measure distances at floor level, as these measurements will not give acoustically accurate results.

When measuring distances to **in-room** boundary subwoofers:

If the stack of subwoofers is taller than the listening position, measure the distance from the listening position to the back edge of the middle of the stack of subwoofers.

S T E I N W A Y L Y N G D O R F

If the subwoofers are lower than the listening position, measure the distance from the listening position to the back edge of the top subwoofer.

When measuring distances to **in-wall** boundary subwoofers:

If the stack of subwoofers is taller than the listening position, measure the distance from the listening position to the dust cap of the middle of the stack of subwoofers.

If the subwoofers are lower than the listening position, measure the distance from the listening position to the top dust cap of the top subwoofer.

If in doubt, contact your Steinway Lyngdorf representative for guidance.

Do not measure distances at floor level, as these measurements will not give acoustically accurate results.

How to Set Up RoomPerfect™

The RoomPerfect™ microphone is a very sensitive and finely calibrated device which must be treated with utmost care. If the microphone has been dropped on the floor, it may be damaged. If this is the case, obtain a new microphone from your Steinway Lyngdorf representative before performing the system calibration.

Volume Setting

The system guides you through the selection of a proper calibration volume level. Follow the instructions on the display to find the optimal volume setting for doing the calibration.

You can choose to use a volume setting other than the one requested by the system by choosing Use Current. The calibration will not be inferior in quality, but the time required for an exact measurement will be longer. If the volume setting is too high, the system will display “Error – Clipping”. Reduce the volume and try again.

RoomPerfect™ Preparations

Place the RoomPerfect™ calibration microphone on the stand. Be sure to fasten the screws properly so the microphone does not move during a measurement.

Plug the supplied microphone cable into the microphone.

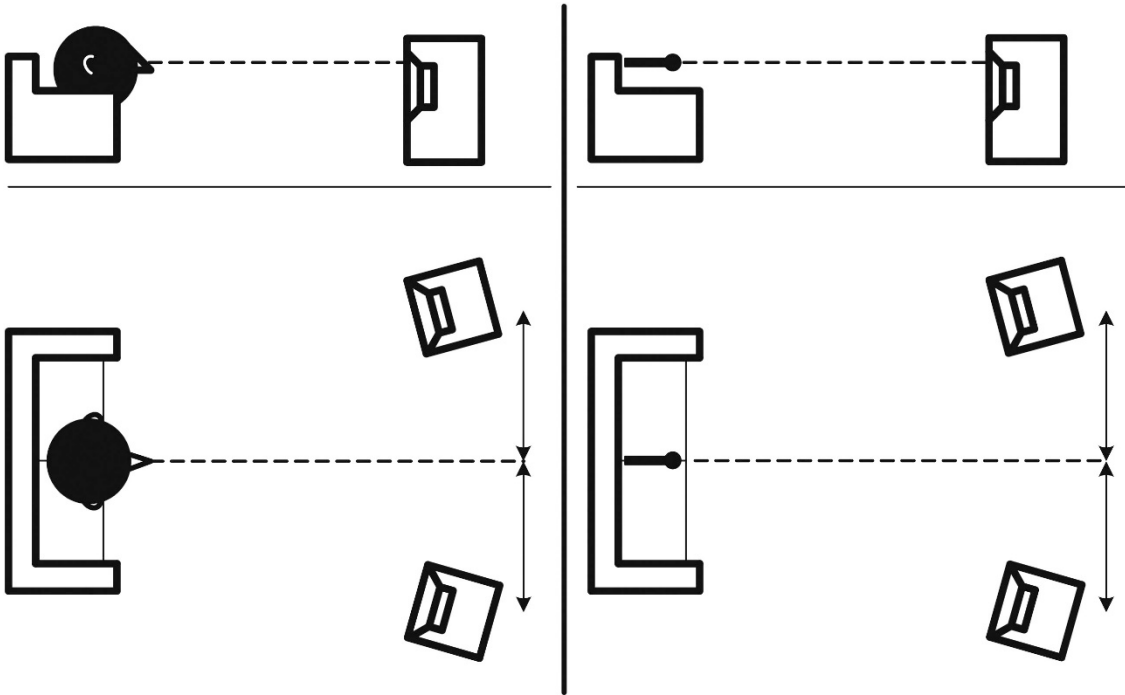
Connect the microphone cable to the microphone terminal on the rear panel of your processor.

Placing the Microphone in the Focus Position

When you are prompted to place the microphone in the focus position, connect the microphone to the microphone input on the back panel and place the microphone, using the microphone stand, in your primary listening position. The height and the orientation of the microphone should correspond to your head's height and direction.

Press Enter and a test signal will start from the left speaker. The system will give an estimated optimal volume for calibrating the system or will accept the current volume. Adjust the volume if required and retry the measurement.

The calibration volume should not be so loud that it is inconvenient to you, or that it causes damage to your loudspeakers. If this is the case, set it to a lower and more appropriate level. A low volume can result in a longer calibration time or a measurement time-out. A low volume and long measurement will not affect the quality of the end result.



Measuring the Focus Position

When the calibration volume has been set, RoomPerfect™ will send a range of tones to measure the focus position.

If there is noise in the room, the measurement may take longer. This will not affect the quality of the end result.

See RoomPerfect™ troubleshooting if the measurement stops prematurely, and then retry the measurement.

Measuring Random Room Positions

When the focus position has been measured, the next step is to measure the acoustical properties of the room. It is important to perform well spaced measurements to get a comprehensive image of the acoustical properties of the room. See RoomPerfect™ troubleshooting if the measurement stops prematurely.

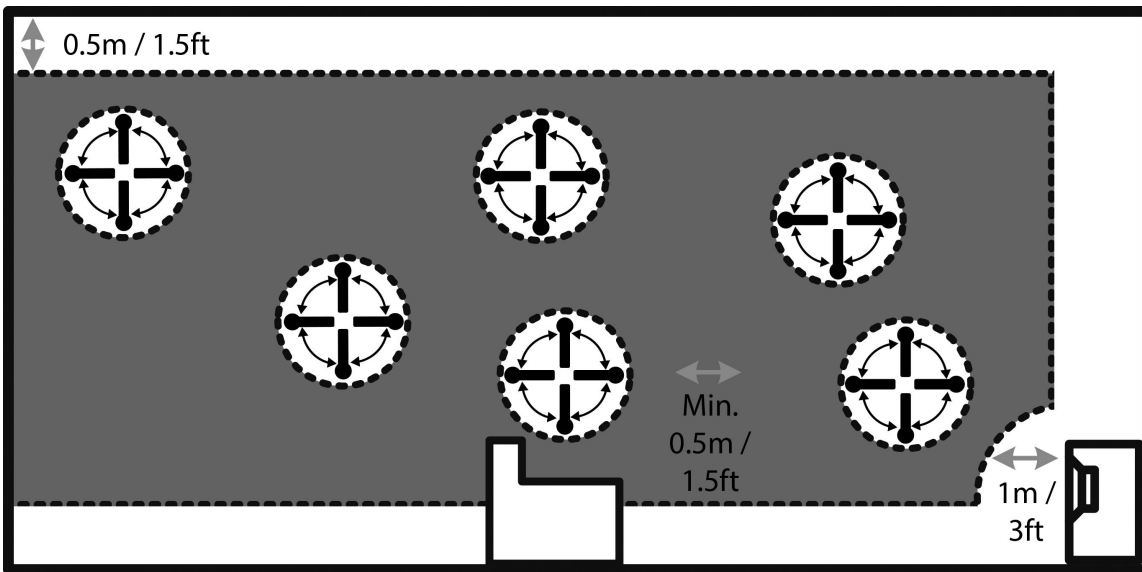
Keep taking measurements until RoomKnowledge reaches 90%.

These are the rules of thumb when measuring the room:

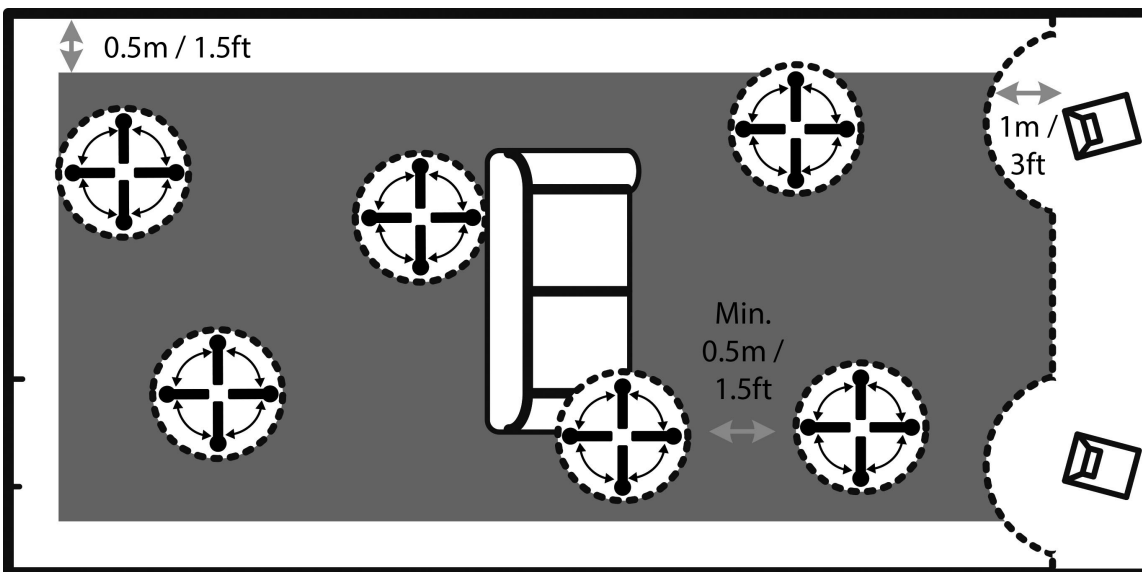
The microphone should be in random and varying positions, heights, and orientations. Point it up/down/sideways, the more random positions the better.

The measurements should cover the entire room, not only your listening area.

Do not take measurements behind plants, furniture, etc.



The microphone should not be closer than 0.5m/1.5ft from the floor, ceiling, and walls.
 The microphone should be at least 1m/3ft from the front of the loudspeakers.
 There should be at least 50cm/1.5ft between each measurement.
 Do not take symmetrical measurements in the room.



Calculation of Focus and Global Filters

When room measurements are complete, the system will calculate the focus and global filters automatically.

Video Setup

The Video Setup menu allows you to register the video system settings for the Model P300 2.1 video inputs and outputs, which in turn dictates which video formats can be shown on the screen when these inputs and outputs are activated.

Video Output

This menu manages the default and preferred setting for HDMI outputs. For each output you can individually set up preferred resolution, video source, audio out, and the main video output for your device. Other outputs can be set to “follow main” or be set individually to stream video from a specific HDMI input connector.

Video Input

In this menu you can change what is advertised in the EDID on the HDMI inputs. This is essential if you have more than one screen connected to the HDMI outputs. If the screens are not identical in terms of support to video features, one of the screens might go blank, as it cannot process the signal requested by the other screen.

EDID (Extended Display Identification Data) is an embedded data file sent from the television(s) through the P300 to the sources. This communication of data differs from the communication between a television set and a source connected directly to the screen.

This is the reason why you cannot test the function of the P300 2.1 through connecting sources directly to the television. The television is the “master” of this communication and is informing all sources of what signal types it can receive. The P300 2.1 acts as a HDMI Repeater and will correct the EDID information sent to the sources, if you have changed any of the settings.

Video Settings

For each of the video features you can specify, when this feature is included in the EDID request to sources:

Never: Feature is not requested.

Always: Feature is always requested.

One: Feature is requested if one of the screens accepts it.

All: Feature is requested if all connected screens accept it.

The features controlled are:

Basic 3D: 3D video

HDR: High Dynamic Range (Static type, for example HDR+, HDR10)

S T E I N W A Y L Y N G D O R F

Dolby Vision: High Dynamic Range (Dynamic type)

Deep Color: Bit depth for improved color reproduction

HLG: High Dynamic Range for streaming (Hybrid Log Gamma)

HDMI: Communication protocol (alternatively: HDMI 1.4)

Audio

Depending on the type of source you can specify the optimal audio track:

PCM or Bitstream, multichannel. Can be sent in stereo to Zone B only if played in main Zone.

PCM only, multichannel

PCM stereo only

PCM stereo up to 48 kHz only

HDMI Bandwidth

If the HDMI signal chain cannot support the full resolution due to cable length or connected components, you can limit the maximum bandwidth to 300 MHz or 150 MHz to avoid dropouts.

Audio Setup

Audio Processing

This menu allows you to manage the audio processing presets for DTS, Dolby, and AURO.

Voicing Setup

A voicing is an equalizer filter that can be activated to amplify or attenuate certain frequencies according to your personal preferences. This equalization is an addition to the RoomPerfect™ corrections.

Voicings can be edited, deleted, added or loaded in the Model P300 2.1.

Editing and adding voicings

In the intuitive GUI for the voicing tool, you can edit or add a voicing by combining up to eight filter sections. For each section, you can choose between parametric or high and low shelves as well as high and low-pass filters. Once the filter type is selected, you can insert a center frequency, Q, and gain. Then the filter, including the final voicing, is shown as a graph so that you can immediately see the result.

We recommend you create voicings using the web interface, but they can be created using the remote control.

Zone B

Setup

Here you can adjust the Zone B volume and default settings.

System Configuration

General Setup

Power management

Choose the standby mode:

Deep sleep: The Model P300 2.1 cannot be turned on via LAN or a control system.

Network: The Model P300 2.1 can be turned on via LAN or a control system.

The Model P300 2.1 cannot turn on from standby via LAN B; please use LAN A instead.

Choose the delay before auto off (minutes). If you don't press any buttons or audio isn't being played, this sets the idle time required for automatic shut-down.

Default volume settings

Set a max volume for the device (dB). This setting is a safety precaution.

Set startup volume.

Use last volume: Sets the volume to be the same as when Model P300 2.1 was turned off.

Use fixed volume: Sets the default volume at startup.

HDMI CEC settings

Set enable CEC and use ARC channel as audio input to Off or On.

Display timeout

Set seconds before turning off the display.

Password protection

Set a required password to enter the web setup section.

Control of speaker setups

Set to allow sources to change speaker setup to No or Yes.

Show bypass

Set the bypass mode for your device to Off or On.

Enable front IR sensor

Turn the Model P300 2.1's IR sensor Off or On. This function is useful if you are using a home automation system and other remotes are using the same IR codes as the Model P300 2.1 remote.

S T E I N W A Y L Y N G D O R F

OSD info level

Choose the level of information to show on the OSD.

Trigger In Setup

Allows you to set up the system so that it can be switched on via an external device in the system.

Trigger Out Setup

Allows you to set up the system so that the Model P300 2.1 can control other devices in the system.

Network Configuration

Change the network mode to “Manual” or “Automatic”.

For more info, see the Network Setup chapter.

Streaming Setup

Configure streaming player setup.

Streaming players can control volume: Set to Off or On.

Streaming players can change input source: Set to Off or On.

Streaming players can power on the device from standby mode: Set to Off or On.

Manage Software

From this main menu you can access Model P300 2.1 software information, backup, restore, etc.

Software Information

Show reference information about the current software in the Model P300 2.1.

Network Information

Show reference information about the network status of the Model P300 2.1.

Backup

Make a complete system backup, including speaker setup and RoomPerfect™ measurements. When the backup is complete, the Model P300 2.1 will go into standby mode.

Restore

Restore the system.

Factory Reset

Restore the system to the default factory settings.

Note: All user preference settings, system data, and RoomPerfect™ data are lost when the Model P300 2.1 is restored to the default settings.

Software Update

Please don't unzip or change the name of the file. Simply save it and upload it to the Model P300 2.1. If you are using a Mac, please right-click and "save as" rather than downloading the file to avoid automatic unzipping.

Update from Local Files

Via web interface:

Click "Browse" to find a file stored on your computer.

Click "Upload" to upload it to the Model P300 2.1.

Click "Process" to initialize the update.

Or:

Upload the update to a SD-card or a FAT 32 formatted flash drive.

Insert the SD-card / flash drive into the Model P300 2.1.

Select the file in the menu and click "Process".

Update via OSD Interface

Upload the update to a SD-card or a FAT 32 formatted flash drive.

Insert the SD-card / flash drive into the Model P300 2.1.

Select the file in the menu and press OK on the remote control.

Note: System settings and RoomPerfect™ data remain intact during software updates.

Update from Remote Files

When connected to the internet, the Model P300 2.1 can automatically download and update the software.

Troubleshooting

RoomPerfect™

The calibration microphone is very sensitive and may pick up unwanted noise, including subsonic signals and background noise, which disturbs the measurements. If the signal is disturbed, it will take longer for the system to make a correct measurement.

A measurement that has been disturbed by noise but completed will always be correct; it is not necessary to redo it. If the measurement has stopped due to an error, one of the error messages below will be shown.

Error Messages

No microphone connected

No microphone is connected or the microphone cable is not working. Check that the microphone cable is connected to the microphone socket on the back panel. If the problem continues, test the microphone cable by connecting the microphone directly to the microphone socket and select Retry.

If the microphone is detected, replace the microphone cable and retry the measurement.

Fault – No signal

This error message can arise due to a signal classification of no sound. This happens if the sound volume has been muted or a cable is disconnected.

Check the sound volume.

Check all cable connections.

Check the measuring signal volume.

If none of these measures solve the error, request a replacement microphone from Steinway Lyngdorf.

Fault – Signal clipping

Either the incoming signal has been classified as too loud, resulting in clipping or distortion, or a loud noise in the immediate environment has corrupted the measurement results. If a loud noise has in fact occurred, such as the sound of a closing door, reduce noise levels inside and in the immediate vicinity of the room and repeat the measurement. If no loud noise has occurred, reduce the volume of the signal and repeat the measurement.

Fault – Low signal

This error message is displayed when the measurement has lasted more than 5 minutes for the low-frequency signal or more than 2 minutes for the high-frequency signal. This happens most often when using a low-level measuring signal compared to the background noise in the listening environment, which results in prolonged measuring times. Raise the measuring signal volume or reduce the noise in the environment before continuing with the measurement.

Can't Turn on via LAN or Control System

The Model P300 2.1 needs to be set to Network mode to be able to turn on via a control system. It will not turn on when in Deep Sleep. This is set up in Device Management -> Power.

The Model P300 2.1 cannot turn on from standby via LAN B; please use LAN A instead.

Retrieving and Sending an Error Log

To retrieve an error log, you need to access the Model P300 2.1 via your browser. Here you can download a text file and email it to your Steinway Lyngdorf representative.

3D Compatibility Not Detected

If the Model P300 2.1 isn't fully booted, a Blu-ray player will not be able to detect its 3D compatibility.

Remote Control Doesn't Work

The remote control is paired to the Model P300 2.1 at the factory, and you only need to pair it again if you have a new Model P300 2.1 or remote.

To pair the RF remote control to a Model P300 2.1:

Turn on the Model P300 2.1.

Hold down the Play & OK buttons until the remote control's green LED flashes.

Point the remote control at the Model P300 2.1 and hold it within 30cm / 1 foot of the front panel; when the green LED stops blinking, the remote is connected via Zigbee.

The remote will be paired to the Model P300 2.1.

To switch the remote from RF to IR mode, hold down the OK and 1 buttons.

The LED will flash red twice.

To switch the remote back to RF mode, hold down the OK and 2 buttons.

The LED will flash green twice.

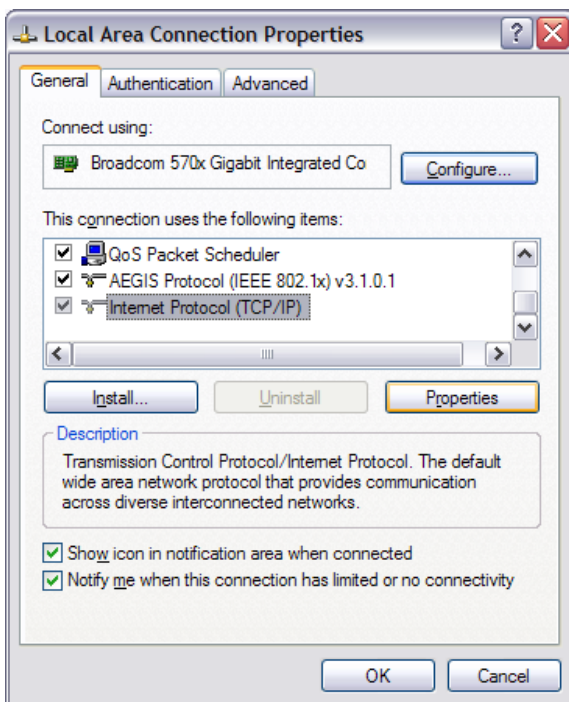
To reset the pairing of the remote control, press Back and OK until the red LED flashes twice.

Network Setup

Connecting to Model P300 2.1 with a Network Cable

It is possible to get access to the Model P300 2.1's web interface via a direct cable connection between the Model P300 2.1 and a computer, or a connection via a hub or switch.

If you have a direct cable connection to a laptop (with no switch or router between the two) the network cable must be a crossover type. Furthermore, the Mode option in the Network Setup menu must be set to "Manual IP". Finally, you must manually set an IP address on the computer you intend to use for setting up the Model P300 2.1.



Set Up a Fixed IP Address in Windows XP or Windows 7

Click Start / Control Panel / Network Connections to find the network connection that represents your connection to the Internet. Most often, this is labeled simply “Local Area Connection”.

Right-click the connection and select “Properties”.

Click “Internet Protocol (TCP/IP)” in the list (you may have to scroll down the list to find it).

Click “Properties”.

Most default configurations will have both “Obtain an IP address” and “Obtain DNS server address automatically” selected by default.

Click “Use the following IP address” and enter the following:

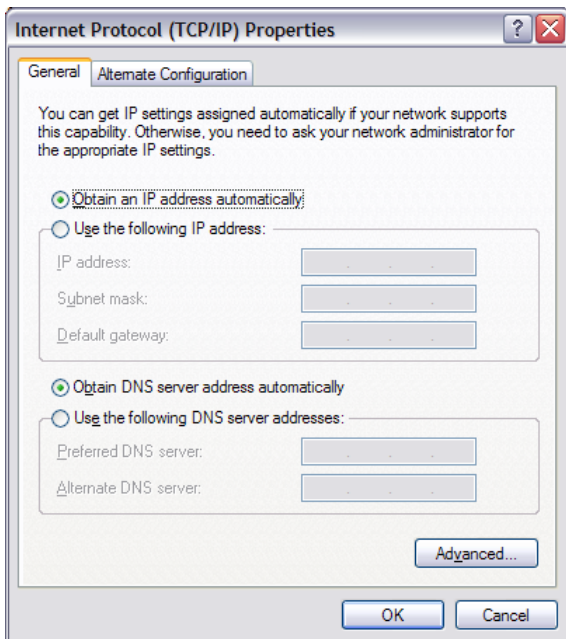
IP address: 192.168.1.2

Subnet mask: 255.255.255.0

Default gateway: 192.168.1.1

Click “OK” to close the configuration windows.

You should now be able to access the Model P300 2.1 via your Internet browser.



Set Up a Fixed IP Address in Windows Vista or Windows 10

In Windows Vista, click Start / Control Panel / Select Network and Internet / Network and Sharing Center.

In Windows 10, right-click Start, then select Control Panel.

Select Network and Internet / Network and Sharing Center.

Click "Manage network connections" in the list of tasks.

Right-click your local area connection and click "Properties".

Select "Internet Protocol (TCP/IP)" from the list.

Click the "Properties" button.

Click "Use the Following IP address" and enter the following:

IP address: 192.168.1.2

Subnet mask: 255.255.255.0

Default gateway: 192.168.1.1

Click "OK" to close the configuration windows.

You should now be able to access the Model P300 2.1 via your Internet browser.

Trademarks

DTS is a registered trademark & the DTS logos and Symbol are trademarks of DTS, Inc. Manufactured under license under U.S. Patent #'s: 5,451,942; 5,956,674; 5,974,380; 5,978,762; 6,226,616; 6,487,535 & other U.S. and worldwide patents issued & pending. DTS is a registered trademark and the DTS logos, Symbol, DTS-HD Master Audio are trademarks of DTS, Inc. © 1996-2016 DTS, Inc. All Rights Reserved.

HDMI, the HDMI Logo and High-Definition Multimedia Interface are trademarks or registered trademarks of HDMI Licensing LLC.

Dolby and the double-D symbol are registered trademarks of Dolby Laboratories.

This product incorporates technology that is protected by U.S. patents and other intellectual property rights. Use of this technology must be authorized by Macrovision, and is intended for home and other limited viewing uses only, unless otherwise authorized by Macrovision. Reverse engineering or disassembly is prohibited.

This item incorporates copy protection technology that is protected by U.S. patents and other intellectual property rights of Rovi Corporation. Reverse engineering and disassembly are prohibited.

Service Information

In order to obtain warranty service, you must contact your original dealer or the Steinway Lyngdorf distributor of the region or country where you are located. If you have trouble locating an authorized representative, please contact service@steinwaylyngdorf.com.

Steinway Lyngdorf
Ulvevej 28
DK 7800 Skive
Denmark

