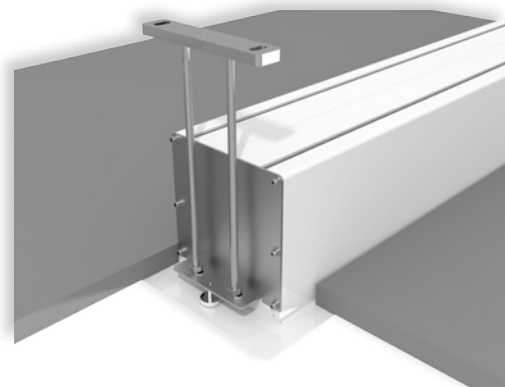


GIOTTO PROFESSIONAL is the most innovative UPGRADABLE electric **in-ceiling** projection screen on the market. Its mechanical construction makes it an ideal and unique solution for in-ceiling installations both in residential and AV professional environments.

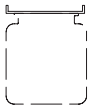
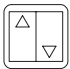

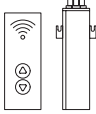
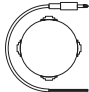
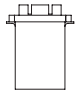

The Giotto is easy to mount and has the **possibility to install the roller tube with projection cloth after the installation is finished.**

This peculiar feature allows also to easily substitute the projection surface if required by the customer for maintenance reasons, or necessity to upgrade the projection cloth.

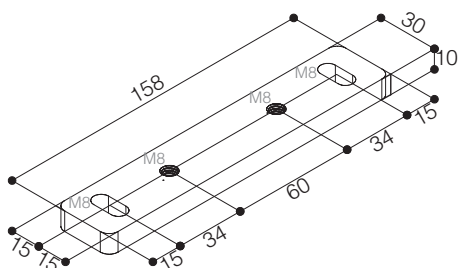
Available in 4:3, 1:1 and 16:10 formats or bespoke sizes.



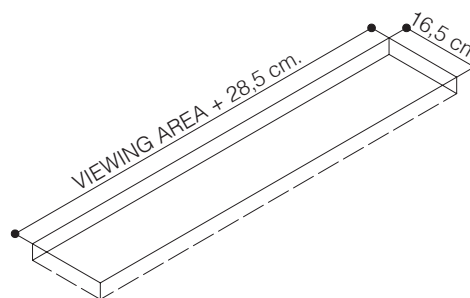
LEFT SIDE VIEW

- | | | | | | | |
|---|---|---|---|--|---|---|
|  |  |  |  |  |  |  |
| n.2 Ceiling mounting brackets | n.1 On/off switcher | RF Remote control with receiver built-in motor | Kit RF Remote control with external receiver | Interface switch 12 volt | Low voltage contact interface | Nm 9
Rpm 26 |
| INCLUDED | | OPTIONAL pag 62-63 | | | | |

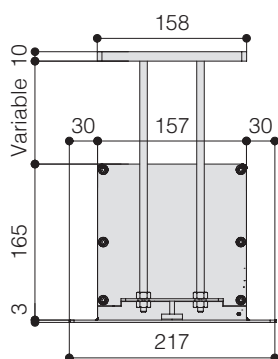
CEILING BRACKET



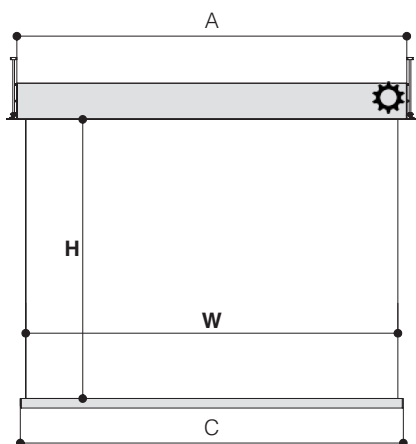
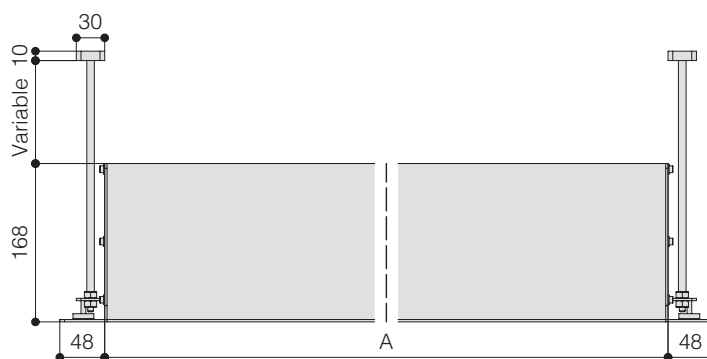
DIMENSIONS OF THE HOLE TO BE MADE IN THE FALSE CEILING



HOUSING SIDE VIEW



HOUSING FRONT VIEW



TECHNICAL SPECIFICATIONS

- Silent motor system provides a smooth and quiet operation

	<i>Up to 300 cm.</i>	<i>From 300 cm.</i>
• Power:	6 Nm	10 Nm
• Speed:	17 rpm	17 rpm
• Power supply:	230V / 50 Hz	230V / 50 Hz
• Consumption:	137 W	156 W
• Certification:	IMQ	IMQ
- Housing manufactured from aluminium
- Lower part of the housing, trap door and bezel sprayed with white epoxy powders (RAL 9010)
- White dowel bar: height 35 mm. - depth 20 mm.
- Two ceiling mounting brackets with four threaded rods 100 cm. long
- On/Off switcher included
- Flame retardant projection surfaces - classification M1, M2 and B1
- Minimum height required in the false ceiling: 17 cm
- Screen housing available in different colours (*optional*)

The measures in the drawings are expressed in millimetres.

DIMENSIONS measures in cm

1:1 Ratio Viewing area (WxH)	4:3 Ratio Viewing area (WxH)	16:10 Ratio Viewing area (WxH)	Overall dimensions A - C	Approx. net weight (Kg)
160 x 160	160 x 120	160 x 100	180,5 - 164	22
180 x 180	180 x 135	180 x 112	200,5 - 184	25
200 x 200	200 x 150	200 x 125	220,5 - 204	28
220 x 220	220 x 165	220 x 137	240,5 - 224	31
250 x 250	250 x 190	250 x 156	270,5 - 254	35
300 x 300	300 x 225	300 x 187	320,5 - 304	43
350 x 350	350 x 265	350 x 219	370,5 - 354	50
400 x 400	400 x 300	400 x 250	420,5 - 404	58
-	450 x 340	450 x 281	470,5 - 454	65

PROJECTION CLOTHS

Front projection surfaces	Gain	Rear projection surfaces <i>**no black borders**</i>	Gain
White	1.2	Rear Plus	1.1
Matte White	1.2	Front Rear	0.9
Microperforated	1.1		
Lumi-Grey Microperforated	0.8		
Fibre Matte*	1.25		
Ultra HD	1.2		

*Limited in height

Warranty: 5 years on the motor - 24 months on the other components

