

PROJECTOR LIFT

SI-H 500



The **PROJECTOR LIFT SI-H 500** lift is equipped with heavy-duty but silent motor which assures a fast and stable up-down movement of the projector. Furthermore, the motor is provided with an RF remote control and offers the possibility to set three motor limit stops: an upper stop limit, an intermediate one and a down one.

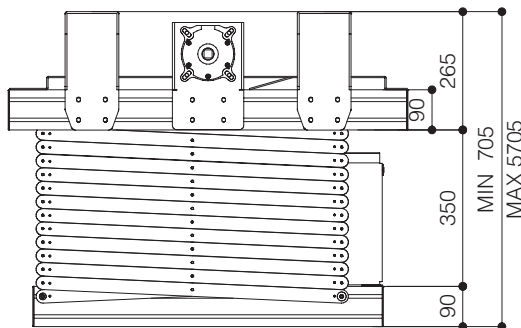
The intermediate stop can be set at the desired height for **projection mode**, whereas the down one can be adjusted up to 500 cm. stroke to be used as **service mode** position.

Also a **safety device** is built-in in order to offer maximum security in case of any failure of the mechanism.

The projector anchoring frame movement is controlled by two strong steel cables that are certified for a maximum load of 350 kg. each.

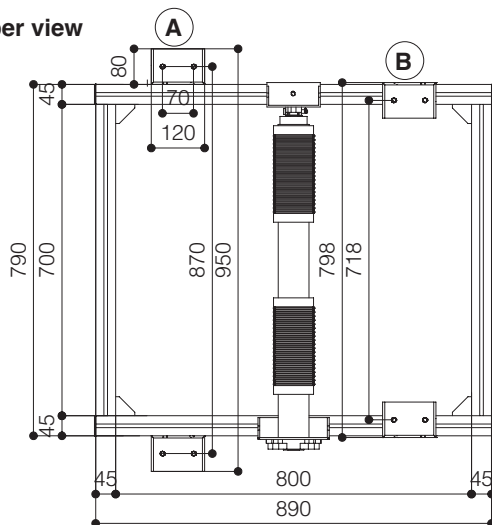
Optional: Smartbox RF (details p. 62)

Side view closed

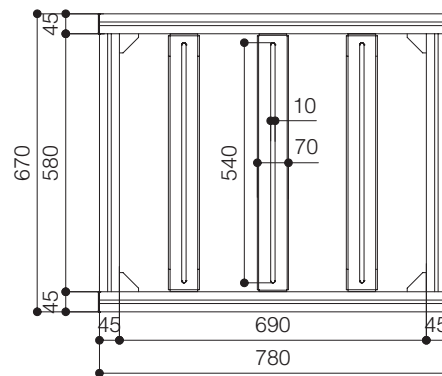


- A** You can see the brackets mounted turned OUTSIDE.
- B** You can see the brackets mounted turned INSIDE.

Upper view



Projector anchoring points



TECHNICAL SPECIFICATIONS

POWER SUPPLY	220-230V - 50HZ
MAXIMUM CONSUMPTION	265 W
TORQUE	60 Nm
MOTOR SPEED	11 rpm
DIMENSIONS CLOSED	798x705x890 (WxHxD in mm)
DIMENSIONS OPENED	798x5705x890 (WxHxD in mm)
ROLL UP SPEED	19 sec/m
ROLL DOWN SPEED	24 sec/m
MAXIMUM LOAD OF THE PROJECTOR	70 Kg
NET WEIGHT	77 Kg
CABLE GATHERING SYSTEM (internal dimensions)	50x18 (WxH in mm)

Warranty: 5 years on the motor - 24 months on the other components

