

FEATURE HIGHLIGHTS

- BIG ZOOM RATIO: 1.5X
- SUITABLE THROW RATIO: 1.39~2.09
- 5,000 ANSI LUMEN HIGH BRIGHTNESS
- 13000:1 HIGH CONTRAST RATIO
- EXTRON IP LINK CERTIFIED



Product Specifications

Projection System	DLP	
DMD type	DC3	
Native Resolution	1920 x 1200 pixels, 16 : 10	
Brightness	5,000 Lumens	
Contrast Ratio	13,000 : 1	
Display Color	1.07 Billion Colors	
Aspect Ratio	Native 16 : 10 (5 aspect ratio selectable)	
Light Source	Lamp (310W)	
Light Source life*	2500 / 3500 / 4500 hr (Normal / Eco / SmartEco)	
Throw Ratio	1.39~2.09	
Zoom Ratio	1.5x	
Lens	F=2.42 ~ 2.97, f = 20.7 ~ 31.05 mm	
Keystone Correction	2D, Horizontal / Vertical ± 30 degrees	
Projection Offset	108.4% (Full Height)	
Projection Size	26.6" ~ 334.0"	
Audio	Built-in Speaker	x 1 10W (peak)
Security	Security bar / Kensington Security Slot	
Connectivity	PC (D-sub 15pin)	x 1 (V-sync signal detect and I port integrate with component)
	HDMI	x 2 (One share with MHL)
	MHL	x 1 (Share with HDMI 2)
	Monitor out	x 1
	Composite Video in (RCA)	x 1
	S-Video in	x 1
	Audio in (Mini Jack)	x 1
	Audio L/R in (RCA)	x 1
	Audio out (Mini Jack)	x 1
	Microphone in (Mini Jack)	x 1
	RS232 (DB-9pin)	x 1
	LAN (RJ45)	x 1
	DC 12V Trigger (3.5mm Jack)	x 1
	USB (Type A)	x 1 (5V, 1.5A)
	USB (Type mini B)	x 1 (Download & Page up/down)
	IR Receiver	x 2 (Front & Rear)
Compatibility	Resolution Support	VGA (640 x 480) to WUXGA_RB (1920 x 1200)
	Horizontal Frequency	15K-102KHz
	Vertical Scan Rate	23~120Hz
	HDTV Compatibility	480i, 480p, 576i, 576p, 720p, 1080i, 1080p
	Video Compatibility	NTSC, PAL, SECAM
Power	Power Consumption (Max / Normal / Eco)	Max 420W, Normal 365W, Eco 290W
	Standby Power Consumption	Standby <0.5W
	Power Supply	AC100 to 240V, 4.2A, 50 to 60 Hz
Product Dimensions (W x H x D)	314 x 117 x 233 mm	
Product Weight	3.3 kg	
Noise Level	36 / 31 dBA (Normal / Eco mode)	
Operating Temperature	0 ~ 40°C	
Accessories	Standard	Optional
	Power Cord (by region)	Spare Lamp Kit
	Remote Control with Battery RCS011	Ceiling Mount
	VGA Cable	3D Glasses
	User Manual CD	Carry Bag
	Quick Start Guide	Wireless dongle: QCast (QP01)
	Warranty Card (by region)	InstaShow™ (WDC10)
On Screen Display Language	Arabic / Bulgarian / Croatian / Czech / Danish / Dutch / English / Finnish / French / German / Greek / Hindi / Hungarian / Italian / Indonesian / Japanese / Korean / Norwegian / Polish / Portuguese / Romanian / Russian / Simplified Chinese / Spanish / Swedish / Turkish / Thai / Traditional Chinese (28 Languages)	

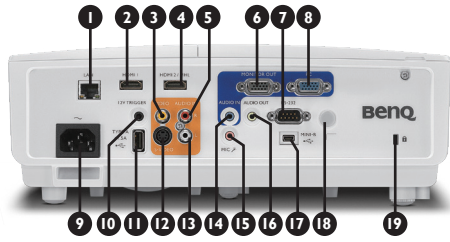
* Lamp in this product contains mercury. To dispose of the product or used lamps, consult your local environment authorities for regulations or see www.lamprecycle.org.

** Lamp life results will vary depending on environmental conditions and usage. Actual product's features and specifications are subject to change without notice.

*** Default mode is Presentation. When 3D is on, Picture Modes only shows 3D. When 3D is off, it is not shown in Picture Modes.

**** Storage: Temperature: -20~60°C; Humidity: 10~90%RH (without condensation).

Input and Output Terminals

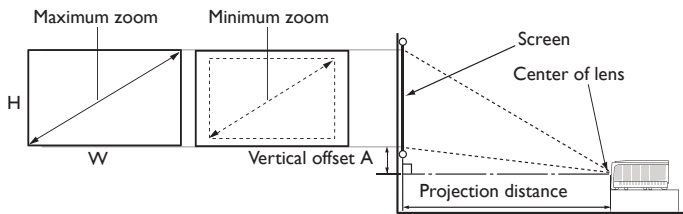


- | | |
|---------------------------|------------------------------------|
| ❶ RJ45 LAN input jack | ❶❶ USB Type-A port |
| ❷ HDMI-1 input jack | ❶❷ S-VIDEO input jack |
| ❸ VIDEO input jack | ❶❸ Audio (L) input jack |
| ❹ HDMI-2 / MHL input jack | ❶❹ Audio input jack |
| ❺ Audio (R) input jack | ❶❺ Microphone jack |
| ❻ MONITOR-OUT output jack | ❶❻ Audio output jack |
| ❼ RS232 control port | ❶❼ USB Mini-B port |
| ❽ PC input jack | ❶❽ Rear IR remote sensor |
| ❾ AC power cord inlet | ❶❾ Kensington anti-theft lock slot |
| ❿ 12V TRIGGER output jack | |

Dimensions

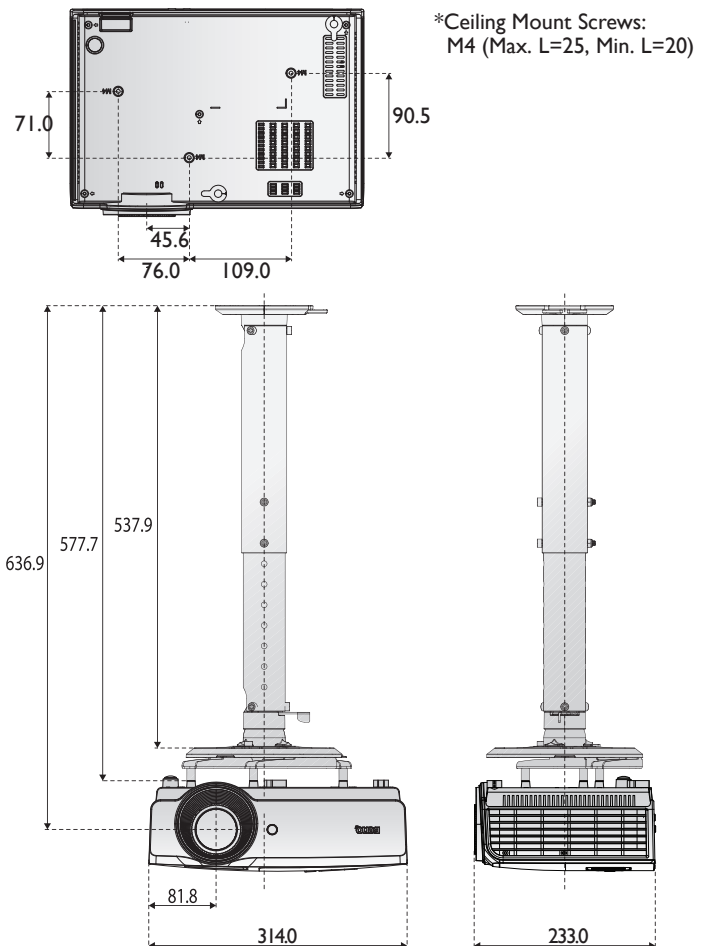


Distance Chart



Screen Size				Distance from Screen (mm)			Offset (mm)
Diagonal		Width	Height	Min. Distance	Average	Max. Distance	A (mm) @ Wide mode
inch	mm	mm	mm				
60	1524	1292	808	1796	2249	2701	68
70	1778	1508	942	2096	2623	3151	79
80	2032	1723	1077	2395	2998	3601	91
90	2286	1939	1212	2695	3373	4052	102
100	2540	2154	1346	2994	3748	4502	113
120	3048	2585	1615	3593	4497	5402	136
150	3810	3231	2019	4491	5622	6753	170
170	4318	3662	2289	5090	6371	7653	193
180	4572	3877	2423	5389	6746	8103	204
190	4826	4092	2558	5688	7121	8553	215
200	5080	4308	2692	5988	7496	9003	227
250	6350	5385	3365	7485	9370	11254	283
300	7620	6462	4039	8982	11243	13505	340

Ceiling Mount Chart



BenQ Europe B.V.

Meerenakkerweg 1-17
5652 AR Eindhoven
The Netherlands
Tel: +31 88 8889200

business-display.benq.com/en-gb

© 2019 BenQ Corp. Specifications may vary by region, please visit your local stores for details. Actual product's features and specifications are subject to change without notice. This material may include corporate names and trademarks of third parties which are the properties of the third parties respectively.

BENQ