

## PFS 3304 Display interface strips tilt

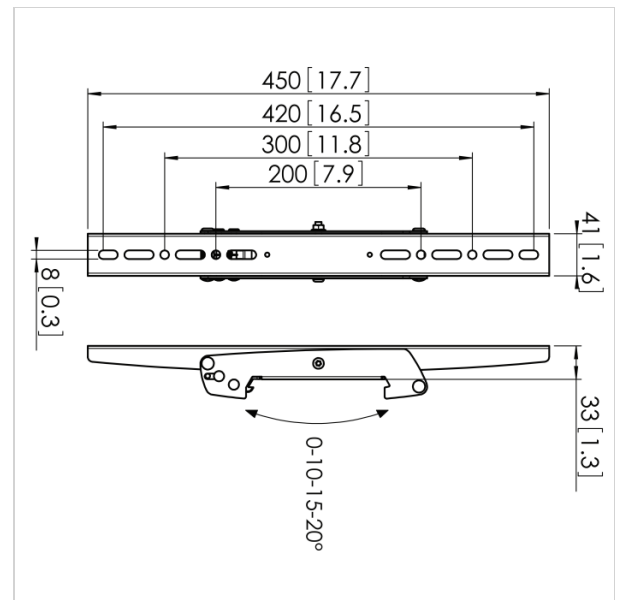
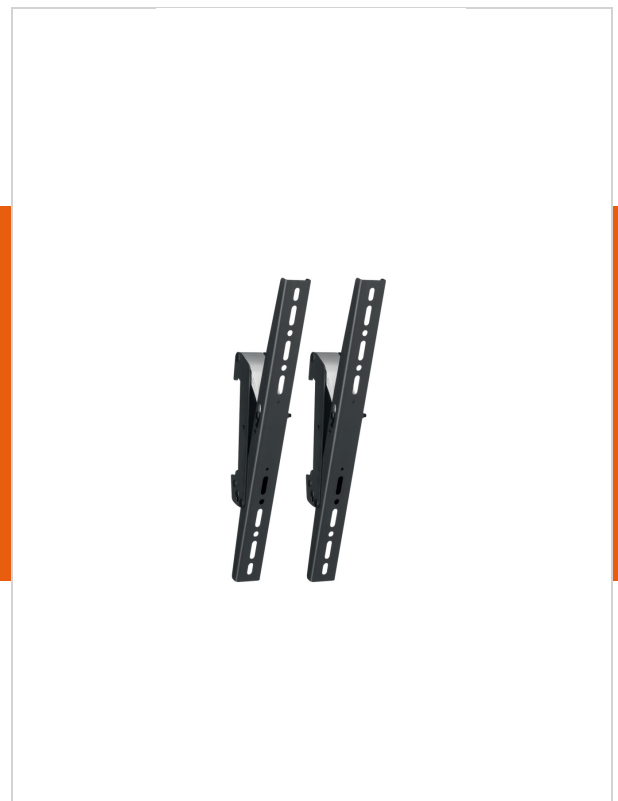
Article number (SKU) 7233040  
Colour Black

### Key benefits

- Endlessly expandable
- Quick and easy installation
- Fine tuning during installation
- Theft prevention
- TÜV certified

The PFS 3304 interface display strips is part of the modular Connect-it system with which you can create your own ceiling or floor solution for medium to large sized displays.

The PFS 3304 is suitable for medium to large sized displays up to 80 kg with a max. vertical fitment of 420 mm. For creating a ceiling solution combine the PFS 3304 with a Connect-it ceiling plate, pole (PUC 25xx Series) and interface bar (PFB 34xx Series). For creating a floor solution combine the PFS 3304 with a Connect-it floor plate/ trolley, pole (PUC 27xx Series) and interface bar (PFB 34xx Series). The PFS 3304 can also be combined with the motorized products (PFFE 7110, PFTE 7112, PFEWE 7150).





# PFS 3304 Display interface strips tilt

[www.vogels.com](http://www.vogels.com)

VOGEL'S HOLDING BV 2017 (c) All rights reserved  
Subject to printing errors, technical and price  
amendments  
Date: 10-11-2017

## Specifications

### Product specifications

Product type number	PFS 3304
Article number (SKU)	7233040
Colour	Black
EAN single box	8712285318863
TÜV certified	Yes
Tilt	Tilt up to 20°
Guarantee	5 years
Max. weight load (kg)	80
Max. bolt size	M8
Max. height of interface (mm)	450
Max. width of interface (mm)	41

### Features

Functionality	Tilt
Service position	No

