

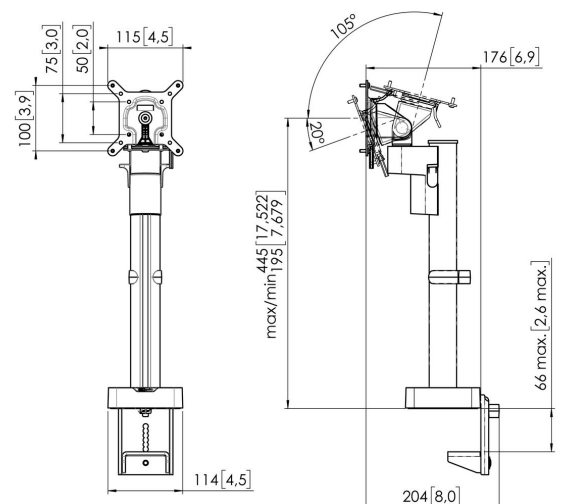


MOMO 2117 Monitor Arm Motion (black)

Key Benefits

- Height Adjustable
- Suitable for one, two or a whole series of monitors
- Easy to install
- Flexible modular system
- TÜV certified / 10-year guarantee

The ergonomic monitor arm for every workplace The MOMO 2117 is a monitor arm specially designed for height-adjustable monitors. The monitor arm can hold displays up to 43 inches and weighing up to 20 kg.





MOMO 2117 Monitor Arm Motion (black)



Specifications

Article number (SKU)	7121170
Colour	Black
EAN single box	8712285353741
TÜV certified	Yes
Tilt	Tilt -20°/+105°
Turn	Up to 180°
Rotate	Up to 180°
Guarantee	10 years
Min. screen size (inch)	10
Max. screen size (inch)	43
Max. height of interface (mm)	115
Max. width of interface (mm)	115
Adjustable depth	False
Adjustable height	True
Max. screen size (inch)	43
Number of pivot points	1
Universal or fixed hole pattern	Fixed
Height adjustment	Manual operated
Max. center display	445
Mounting Possibilities	On and through desk

VOGEL'S HOLDING BV (©)

All rights reserved.
Subject to printing errors,
technical and price
amendments.

Date: 2023-06-22



Vogel's. For Sure.