

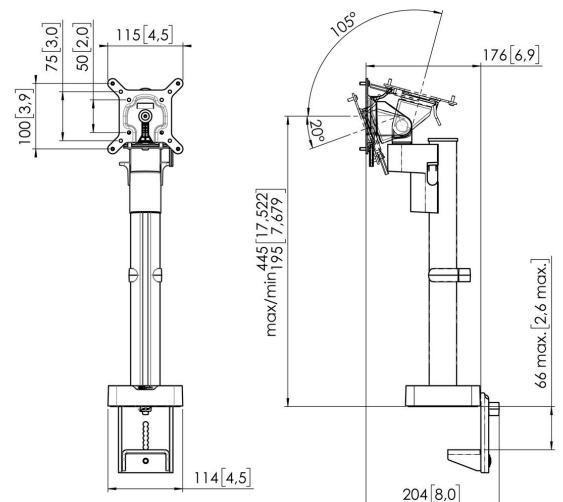


MOMO 2117 Monitor Arm Motion (white)

Key Benefits

- Height Adjustable
- Suitable for one, two or a whole series of monitors
- Easy to install
- Flexible modular system
- TÜV certified / 10-year guarantee

The ergonomic monitor arm for every workplace The MOMO 2117 is a monitor arm specially designed for height-adjustable monitors. The monitor arm can hold displays up to 43 inches and weighing up to 20 kg.





MOMO 2117 Monitor Arm Motion (white)



Specifications

| | |
|---------------------------------|---------------------|
| Article number (SKU) | 7121171 |
| Colour | White |
| EAN single box | 8712285353765 |
| TÜV certified | Yes |
| Tilt | Tilt -20°/+105° |
| Turn | Up to 180° |
| Rotate | Up to 180° |
| Guarantee | 10 years |
| Min. screen size (inch) | 10 |
| Max. screen size (inch) | 43 |
| Max. height of interface (mm) | 115 |
| Max. width of interface (mm) | 115 |
| Adjustable depth | False |
| Adjustable height | True |
| Max. screen size (inch) | 43 |
| Number of pivot points | 1 |
| Universal or fixed hole pattern | Fixed |
| Height adjustment | Manual operated |
| Max. center display | 445 |
| Mounting Possibilities | On and through desk |

VOGEL'S HOLDING BV (©)

All rights reserved.
Subject to printing errors,
technical and price
amendments.

Date: 2023-06-22



Vogel's. For Sure.