

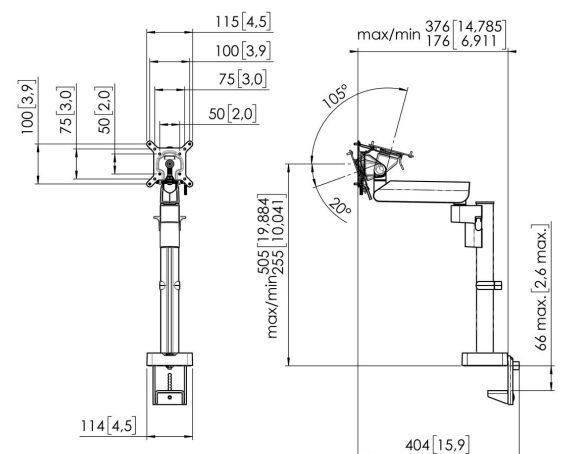


MOMO 2127 Monitor Arm Motion (white)

Key Benefits

- Height Adjustable
- Suitable for one, two or a whole series of monitors
- Easy install
- Flexible modular system
- TÜV certified / 10-year guarantee

The ergonomic monitor arm for every workplace The MOMO 2127 is a monitor arm specially designed for height-adjustable monitors. The monitor arm is suitable for monitors up to 43 inches and weighing up to 20 kg.





MOMO 2127 Monitor Arm Motion (white)



Specifications

Article number (SKU)	7121271
Colour	White
EAN single box	8712285353802
TÜV certified	Yes
Tilt	Tilt -20°/+105°
Turn	Up to 180°
Rotate	Up to 180°
Guarantee	10 years
Min. screen size (inch)	10
Max. screen size (inch)	43
Max. height of interface (mm)	115
Max. width of interface (mm)	115
Adjustable depth	True
Adjustable height	True
Max. screen size (inch)	43
Number of pivot points	2
Universal or fixed hole pattern	Fixed
Height adjustment	Manual operated
Max. center display	505
Mounting Possibilities	On and through desk

VOGEL'S HOLDING BV (©)

All rights reserved.
Subject to printing errors,
technical and price
amendments.

Date: 2023-06-23



Vogel's. For Sure.