

## PPC 2500 Projector ceiling mount

Article number (SKU)  
Colour

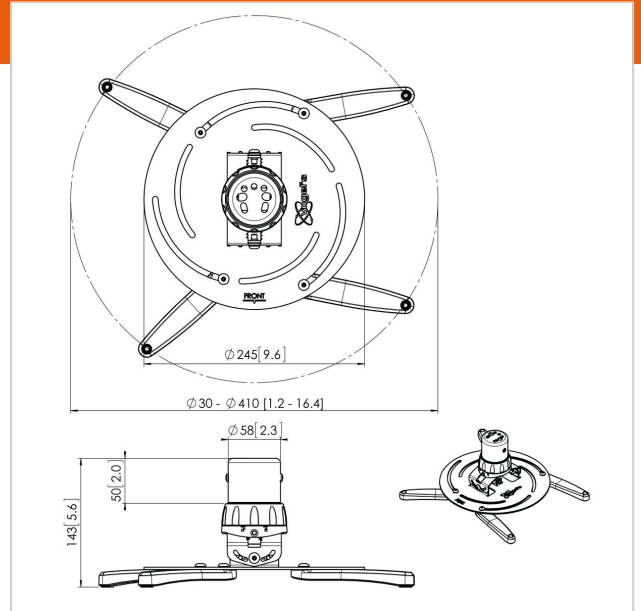
7025004  
Silver

### Key Benefits

- Cables fully concealed
- Fine tuning during installation
- Fine tuning possible after installation
- Theft prevention

The PPC 2500 projector mount is specially designed for the new generation projectors up to 30 kg. This projector interface is equipped with a unique fine tune adjustability for precise alignment with the projection surface. Once aligned, the projector stays in position.

The height adjustable projector ceiling mount kits can be used when the height of the ceiling is not known or when flexibility is wanted. These mounts come in 3 lengths offering variable height adjustment from 400 to 1350 mm. The Cable Inlay System runs the full length of the pole and even allows for cable routing after installation. The offers sufficient space for all cables required and enables you to hide all the cables in a matter of seconds.





## PPC 2500 Projector ceiling mount

[www.vogels.com](http://www.vogels.com)

VOGEL'S HOLDING BV 2019 (c) All rights reserved.  
Subject to printing errors, technical and price amendments.  
Date: 2019-06-17

## Specifications

Product type number	PPC 2500
Article number (SKU)	7025004
Colour	Silver
EAN single box	8712285325229
TÜV certified	Yes
Tilt	Tilt up to 15°
Turn	Up to 360°
Guarantee	5 years
Max. weight load (kg)	30
Fischer inside	Yes
Max. distance to ceiling (mm)	124
Min. distance to ceiling (mm)	124
Range (diameter)	30 - 410 mm
Roll	15

