



PFB 3427 Display interface bar silver

Article number (SKU) 7234274
Colour Silver

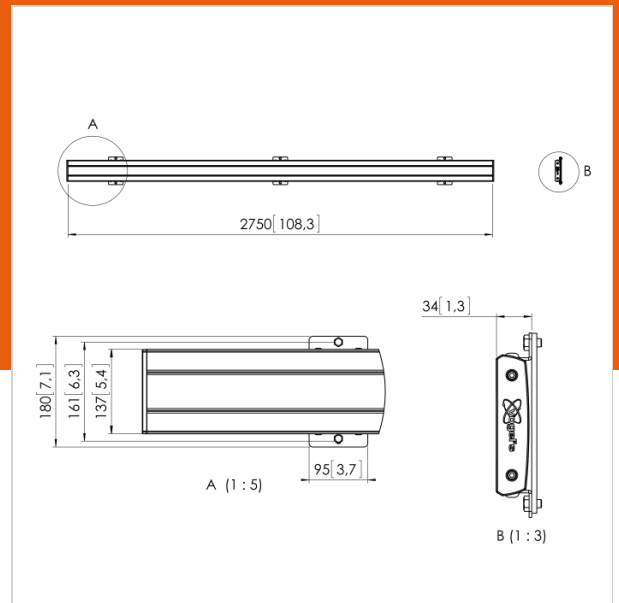
Key benefits

- Endlessly expandable
- Quick and easy installation
- Fine tuning during installation
- Theft prevention
- TÜV certified

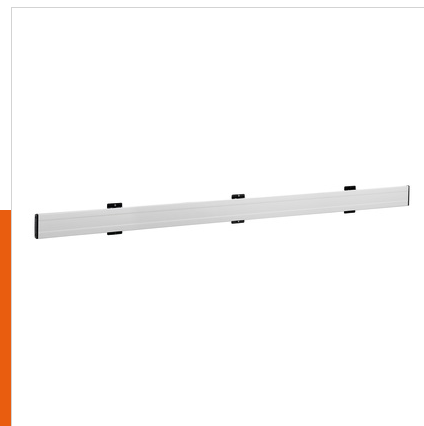
The PFB 3427 interface bar is part of a unique and flexible system that is ideal for video wall setups and in-line menuboarding. With this modular concept, based on Connect-it, you can create a video wall solution for almost every set-up requirement.

The video wall consists of interface bars (PFB 34xx) and one set of multi directional (3D) adjustable interface display strips (PFS 35xx) per display. Vogel's offers 3 different lengths of interface bars varying from 1900 to 3300 mm and two different interface display strips with VESA 400 mm and 800 mm.

The PFB 3427 interface bar is a part of the modular Connect-it system which can be used for ceiling, floor and wall mounting. The PFB 3427 with a length of 2700 mm is ideal for mounting multiple displays. The PFB 3427 can be used in combination with other interface bars of the PFB 34xx series by using the interface bar coupler (PFA 9104). The advantage of the modularity is that you create almost any desirable length without cutting.



PFB 3427 Display interface bar silver



VOGEL'S HOLDING BV 2017 (c) All rights reserved
Subject to printing errors, technical and price
amendments
Date: 13-11-2017

www.vogels.com

Specifications

Product specifications

Product type number	PFB 3427
Article number (SKU)	7234274
Colour	Silver
EAN single box	8712285330223
TÜV certified	Yes
Guarantee	5 years
Max. weight load on pole (kg)	160
Max. weight load on wall (kg)	160
Max. height of interface (mm)	180
Max. width of interface (mm)	2765
Max. depth of interface (mm)	35

