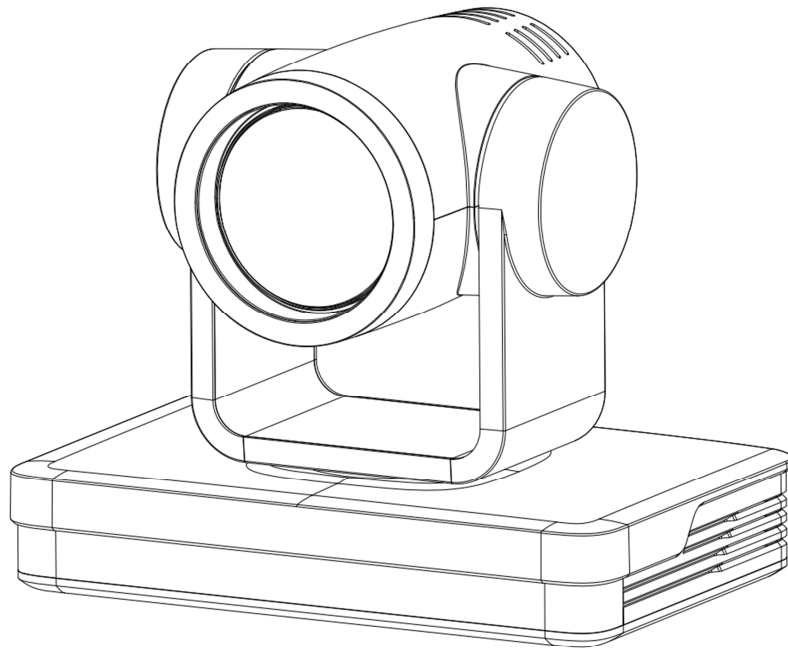


Universal Camera

EVO-4K30PTZ-12X-AT Camera

User Manual

(V1.0)



Preface




This manual is to ensure that the user can use the product properly and avoid danger while operating. Before using this product, please read the user manual carefully and keep it properly for future reference.

Overview

This manual is about 4K PTZ camera operation.

Graphic Symbols

Description of graphic symbols used in this manual.

Symbols	Description
 Illustration	This symbol indicates that the words are clarification or supplement to this article.
 Caution	This symbol indicates that negligence of the instructions may lead to mishandling that may cause injury or property damage.
 Danger	This symbol indicates a risk that may result in damage to this machine or documents. Follow the instructions to avoid property damage.

Attention

This manual introduces functions, installations and operations for this product in details. Please read this manual carefully before installation and use.

Precautions

This product can only be used in the specified conditions in order to avoid any damage to the camera:

- 1) Do not expose the product to rain or moisture.
- 2) To prevent the risk of electric shock, do not open the case. Installation and maintenance should only be carried out by qualified technicians.
- 3) Do not use the product beyond the specified temperature, humidity or power supply specifications.
- 4) Please use a soft dry cloth to clean the camera. If the camera is very dirty, clean it with diluted neutral detergent; do not use any type of solvents, which may damage the surface.

Electrical Safety

Installation and use of this product must strictly comply with local electrical safety standards. The power supply of the product is 12V. Polarity of the power supply drawing.



Transportation

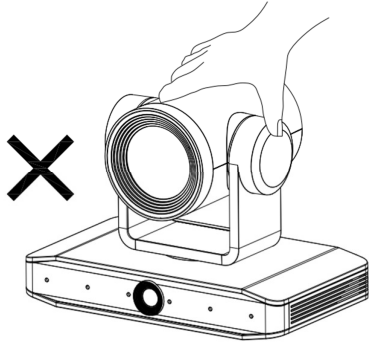
Avoid any stress, vibration, or moisture during transportation, storage, installation and operation

Installation

- 1) Do not rotate the camera head violently, otherwise it may cause mechanical failure;
- 2) This product should be placed on a stable desktop or other horizontal surface. Do not install the product obliquely, otherwise it may display inclined image;
- 3) Ensure there are no obstacles within rotation range of the holder.

- 4) Do not power on before completely installation.

Improper operations may damage the product structure and result in mechanical failure. Please note the following tips.



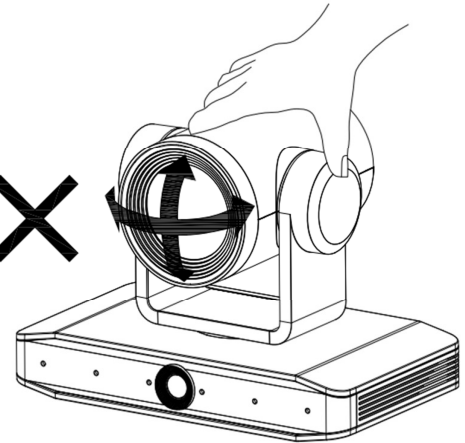
Do not move the camera by grabbing the head.



Move the camera by holding the bottom with one or both hands.



Please do not rotate the lens and holder manually power on or off; otherwise it may damage the camera camera self-check and unable to start the camera.



Do Not Dismantle Camera

We are not responsible for any unauthorized modifica

Magnetic Interference

Electromagnetic fields at specific frequencies may affect the video image. This product is Class A. It may cause radio interference in household application. Appropriate measure is required.

Content

1. Quick Start	1
1.1 Interface.....	1
1.2 Power-on Self-Test.....	1
1.2.1 Power on.....	1
1.2.2 Self-Test	2
1.3 Video Output	2
1.3.1 Network Output.....	2
1.3.2 HDMI Output	2
1.3.3 USB3.0 Output	2
1.3.4 HDbaseT Output	2
1.4 Bracket.....	3
1.4.1 Steps of Wall Mount	3
1.4.2 Steps of Ceiling Mount.....	5
2. Product Overview	6
2.1 Product Overview.....	6
2.1.1 Product Dimension	6
2.1.2 Accessory	6
2.2 Product Feature	7
2.3 Technical Specification	8
2.4 Interface Introduction.....	12
2.4.1 Interface Diagram.....	12
2.4.2 RS-232	13
2.4.3 Rotary Dial.....	15
3. How to Use	16
3.1 Video Output	16
3.1.1 Power-on Self-test.....	16
3.1.2 Video Output	16
3.2 Remote Control	17
3.2.1 IR Remote Control	18

3.2.2 Remote Control Usage	20
3.3 Menu Setting	22
3.3.1 Main Menu	22
3.3.2 Monocular Tracking	23
3.3.3 System Setting	23
3.3.4 Camera Parameter Setting.....	24
3.3.5 P/T/Z.....	28
3.3.6 Video Format	29
3.3.7 Version.....	29
3.3.8 Restore Default	30
4. Network Connection	31
4.1 Connection Method.....	31
4.2 Camera Web Interface	33
4.2.1 Web Login	33
4.2.2 Preview	33
4.2.3 Configuration	34
4.2.4 Audio Configuration	34
4.2.5 Video Configuration.....	35
4.2.6 Network Configuration	39
4.2.7 System Configuration.....	41
4.2.8 Logout.....	43
4.2.9 Monocular AI Tracking Function Web Page Configuration	43
5. Serial Port Communication Control.....	45
5.1 VISCA Protocol List	45
5.1.1 Camera Return Command	45
5.1.2 Camera Control Command	46
5.1.3 Inquiry Command.....	55
5.2 Pelco-D Protocol Command List	60
5.3 Pelco-P Protcol Command List	61
6. Maintenance and Troubleshooting	64
6.1 Camera Maintenance.....	64

6.2 Troubleshooting64

1. Quick Start

1.1 Interface

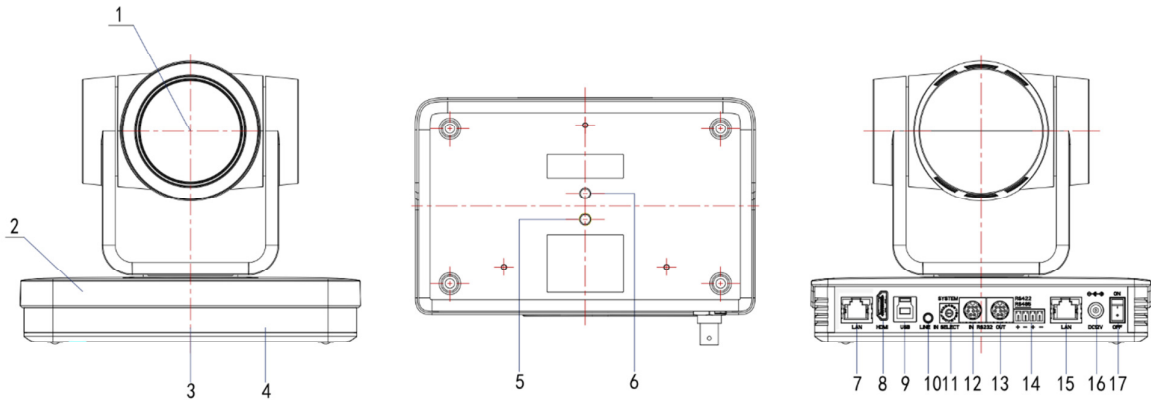


Figure1-1 Interface

Interface

- | | | |
|------------------------|-----------------------|------------------------|
| 1. Lens | 7. HDBaseT Jack | 13. RS232 Output |
| 2. Base | 8. HDMI Jack | 14. RS422/RS485 Jack |
| 3. Receiving Light | 9. USB3.0 | 13. Network Jack |
| 4. Hole for Dip Switch | 10. Audio In | 12. DC12V Power Socket |
| 5. Tripod Screw Hole | 11. Rotary Dip Switch | 13. Power Switch |
| 6. Fixation Hole | 12. RS232 Input | |

When using the camera, please put the plastic pad on the center bottom of device.

1.2 Power-on Self-Test

1.2.1 Power on

Connect device to power socket with DC12V power adapter.

1.2.2 Self-Test

After power on, the receiver light will start flashing and camera will do a brief pan-tilt tour and return to the home position. When light stop flashing, the self-test is finished.

Caution

- Default address of the remote control is 1#. When menu restore default setting, the address of IP remote control will restore 1#.
 - If preset 0 is set, the camera will return to the preset 0 position after self-test
-

1.3 Video Output

This series camera can output video through network, HDMI, HDBaseT and USB3.0.

1.3.1 Network Output

- a, Network connection: Shown as diagram 1.1 #15
- b, Log in: You can reach the Web Interface by typing in the camera's IP address(default 192.168.5.163) into a web browser. To log in, type in "admin" into the username and password fields. From the Web Interface, you can adjust many of your camera's settings via this IP interface, like PTZ control, video recording, playback and configuration setting.

1.3.2 HDMI Output

- a, HDMI connection: Shown as diagram 1.1 #8
- b, Connect camera to the display device via HDMI cable.

1.3.3 USB3.0 Output

USB3.0 connection: Shown as diagram 1.1 #9. Open video software and select image device to output video.

1.3.4 HDBaseT Output

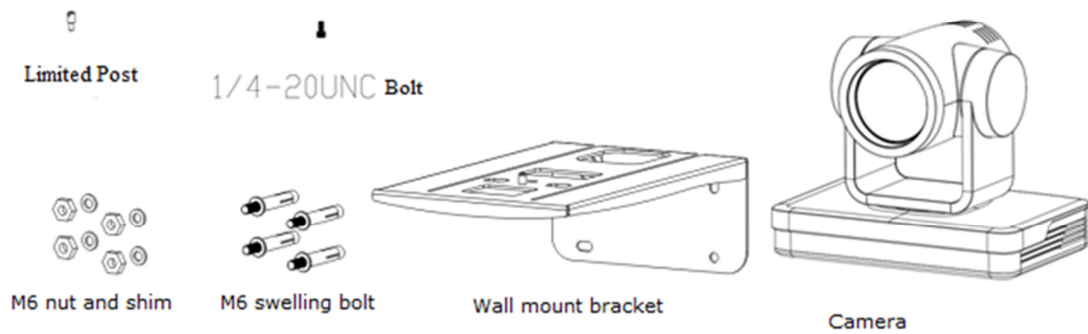
HDBaseT connection: Shown as diagram 1.1 #7. Connect the device, HDBaseT signal receiving device and the monitor correctly through the network cable and video cable, and the device self-test is completed to output picture. HDBaseT signal receiving device: such as HDBaseT adapter box, input HDBaseT signal, output HDMI signal.

1.4 Bracket

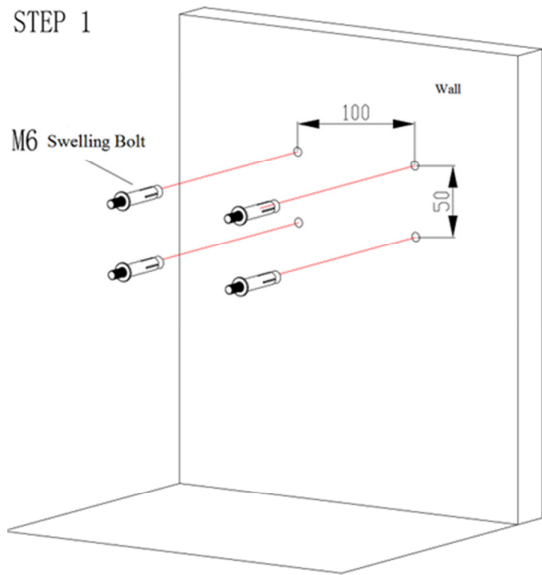
Caution

- Bracket can only be wall mounted or upside down mounted on template and concrete wall, but can not be installed on plasterboard.
-

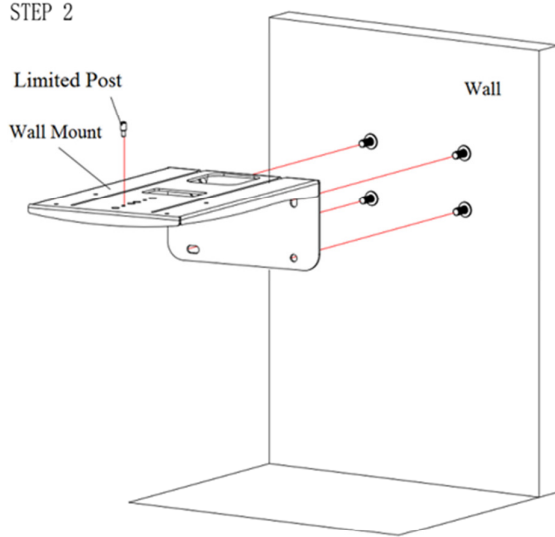
1.4.1 Steps of Wall Mount



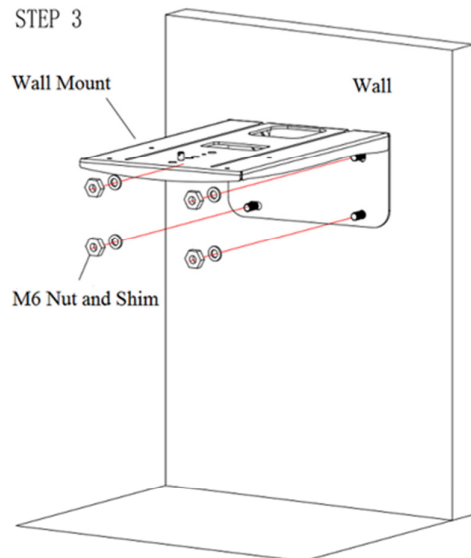
STEP 1



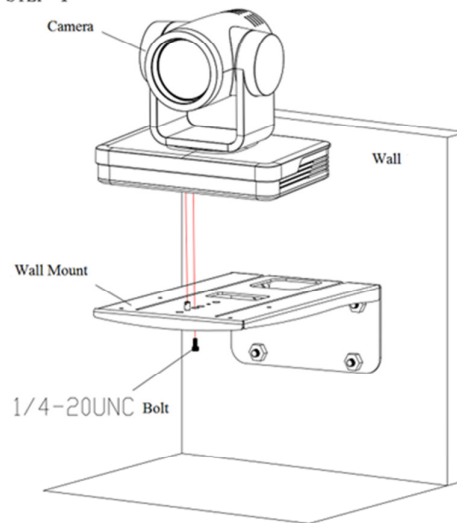
STEP 2



STEP 3



STEP 4



STEP 5

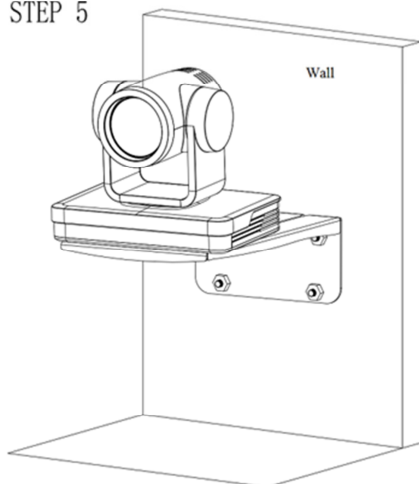
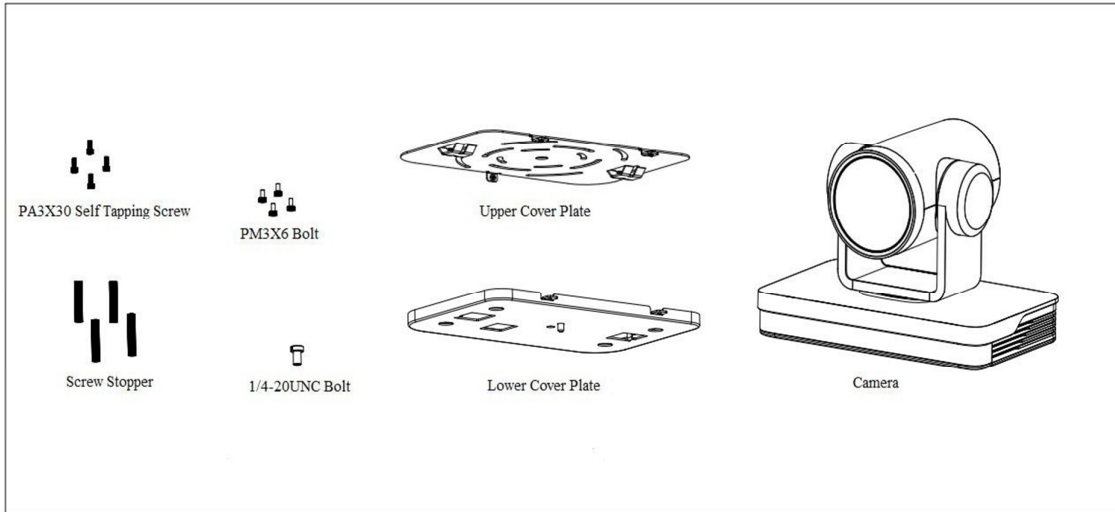


Figure1-2 Steps of Wall Mount



1.4.2 Steps of Ceiling Mount

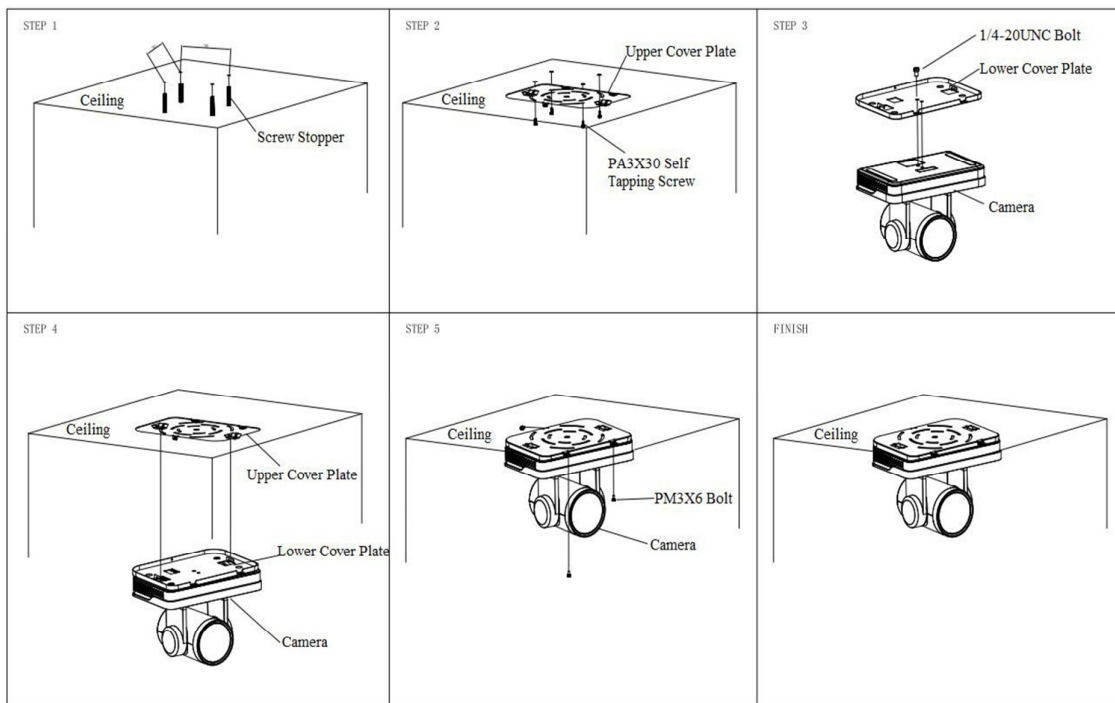


Figure1-3 Steps of Ceiling Mount

2. Product Overview

2.1 Product Overview

2.1.1 Product Dimension

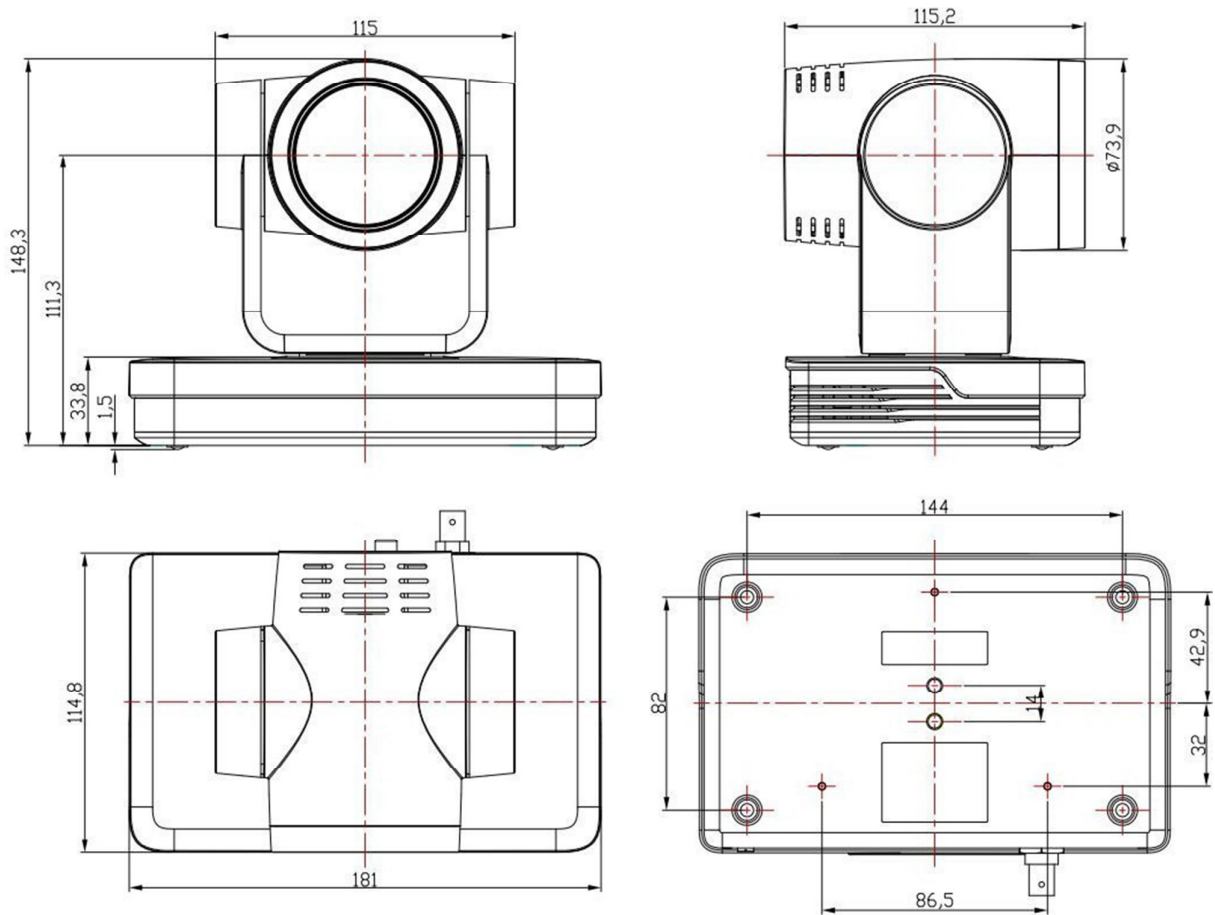


Figure2-1 Product Dimension

2.1.2 Accessory

When you unpack your package, check that all the supplied accessories are included:

Table2-1 Supplied Accessory

Supplied	Power adapter
	USB3.0 Cable
	User manual
	RS232 cable

	Plastic pad
Optional	Wireless remote control
	Brackets for wall mounting
	Brackets for ceiling mount

2.2 Product Feature

This is a brand new UHD 4K camera. It has perfect functions, superior performance and rich video output interfaces; Featuring with advanced ISP processing algorithms, offering vivid and high resolution video with a strong sense of depth and fantastic color rendition. It supports H.264/H.265 encoding which makes motion video more fluent and clear under low bandwidth conditions.

- **4K UHD Resolution:** 8.51M megapixel high quality SONY CMOS sensor. Resolution is up to 4K with frame rate up to 30fps.
- **Optical Zoom Lens:** 12X optical zoom 70°wide-angle lens.
- **Leading Auto Focus Technology:** Fast, accurate and stable auto focusing technology.
- **Low Noise and High SNR:** Super high SNR image is achieved with low noise CMOS. Advanced 2D and 3D noise reduction technology further reduces the noise while ensuring high image clarity.
- **Various video output interfaces:** Support HDMI, HDbaseT, USB3.0, LAN interface; support POE power supply, USB3.0 supports dual stream.
- **Multiple Audio/Video Compression Standards:** Support YUY2, MJPEG, H.264, H.265, NV12 video encoding formats, MJPEG, H.264, H.265 support up to 3840×2160 resolution 30fps compression; support AAC, MP3, G.711A audio compression .
- **Audio Input Interface:** Support AAC, MP3, G.711A audio compression, AAC and MP3 support 16000, 32000, 44100, 48000 sampling frequency.
- **Built-in Gravity Sensor:** Support PTZ auto-flip function and easy installation.
- **Multiple Network Protocol:** Support ONVIF, GB/T28181, RTSP, RTMP,VISCA OVER IP,IP VISCA,RTMPS,SRT protocols; Support RTMP push mode, easy to be connected to streaming server (Wowza, FMS); Support RTP multicast mode.
- **Control Interface:** RS422 input(compatible with RS485), RS232 input/output, RS232 (cascade connection)

- **Multiple Control Protocol:** Support VISCA, PELCO-D, PELCO-P protocols; Support automatic identification protocols.
- **Quiet Pan / Tilt Movement:** With high accuracy step driving motor, camera can pan / tilt extremely quiet and smooth.
- **Low-power sleep function:** Support low-power sleep/wake-up, and the power consumption during sleep is less than 400mW.
- **Multiple Presets:** Up to 255 presets (10 presets via remote control).
- **AI Human Detection:** Built in high speed processor and advanced image processing and analysis algorithm, and real-time tracking and zone tracking modes are available, can switch the tracking object by clicking the person object frame on the webpage.
- **Multiple Application:** Online-education, Lecture Capture, Webcasting, Video conferencing, Tele-medicine, Unified Communication, Emergency command and control systems, etc.

2.3 Technical Specification

Table2-1 Camera Lens Parameter

Camera Parameter	
Optical Zoom	12X
Sensor	1/2.8 inch SONY CMOS sensor
Effective Pixels	8.51M megapixel 16 : 9
Video Format	HDMI/HDBaseT : 4KP30, 4KP25, 1080P30, 1080P25, 1080P29.97 ; USB3.0: Main stream : YUY2/NV12: 1920 × 1080/1280 × 720/1024 × 576/800 × 600/800 × 448/640 × 360/480×270/320×180@10/5fps; MJPG/H264: 3840*2160/1920 × 1080/1600 × 896/1280 × 720/1024 × 576/960 ×

	<p>540/800 × 600/800 × 448/720 × 576/720 × 480/640 × 360/640 × 480/480×270/352×288/320×240@30/25/20/15/10/5fps;</p> <p>Secondary stream : YUY2/NV12:</p> <p>1280×720/1024×576/800×600/800×448/640×360/640×480/480×270/320×180@30/25/20/15/10/5fps;</p> <p>MJPEG/H264:</p> <p>1920 × 1080/1600 × 896/1280 × 720/1024 × 576/960 × 540/800 × 600/800 × 448/720 × 576/720 × 480/640 × 360/640 × 480/480 × 270/352×288/320×240@30/25/20/15/10/5fps</p>
Viewing Angle	Horizontal : 6.5° (N) ~ 70.9° (W)
Focal Length	3.9 ~ 46.8 mm ±5%
Iris Value	F1.6 ~ F2.8±5%
Digital Zoom	X15
Minimum Illumination	0.5Lux(F1.8, AGC ON)
DNR	2D&3D DNR
White Balance	Auto / Manual/ One Push/ Specified Temperature
Focus	Auto/Manual/One Push Focus
Exposure Mode	Auto/Manual/Shutter priority/Aperture priority/brightness priority
Aperture	F1.8 ~ F1.1, CLOSE
Shutter Speed	1/25 ~ 1/20000
BLC	ON/OFF
WDR	OFF/ 1~8
Video	Brightness, Color, Saturation, Contrast, Sharpness, B/W mode,

Adjustment	Gamma curve
SNR	>50dB

Table2-2 Interface Parameter

Interface Parameter	
Video Interfaces	HDMI, HDbaseT, LAN(Support POE), USB3.0, A-IN, RS232-IN, RS232-OUT, RS422 (Compatible with RS 485) , DC12V Power Supply, Rotary DIP switch, Power Switch
Video Output	HDMI, HDbaseT, LAN, USB3.0
Video Compression Format	LAN : H.264, H.265 USB 3.0 : MJPG, H.264, YUY2, NV12
Audio Input	Double track 3.5mm linear input;
Audio Output	HDMI, HDbaseT, LAN, USB3.0
Audio Compression Format	AAC,MP3,G.711A
LAN Jack	10M/100M/1000M adaptive Ethernet port, support POE power supply, support audio and video output
Network Protocols	RTSP, RTMP,ONVIF,GB/T28181, VISCA OVER IP, IP VISCA, RTMPS, SRT, Support remote upgrade, remote restart, remote reset
Control Jacks	RS232-IN, RS232-OUT, RS422 (Compatible with RS485)
Serial Port Communication Protocols	VISCA/Pelco-D/Pelco-P ; Support Baudrate: 115200/38400/9600/4800/2400
USB Communication Protocol	UVC (Video Communication Protocol) , UAC (Audio Communication Protocol)
Power Supply	HEC3800 Outlet (DC12V)

Power Adapter	AC110V~AC220V to DC12V/2.5A
Input Voltage	DC12V±10%
Input	<1A
Consumption	<12W

Table2-3 PTZ Parameter

PTZ Parameter	
Pan Move	-170° ~ +170°
Tilt Move	-30° ~ +90° °
Pan Speed	0.1°/s ~ 60°/s
Tilt Speed	0.1°/s ~ 45°/s
Preset Speed	Pan: 60°/s, Tilt: 45°/s
Preset Quantity	Up to 255 preset (10 via remote control)

Table2-4 Other Parameter

Other Parameter	
Storage Temperature	-10°C ~ +70°C
Storage Humidity	20% ~ 95%
Working Temperature	-10°C ~ +50°C
Working Humidity	20% ~ 80%
Dimension	181(L)mm*115mm(W)*149mm(H)
Weight	1.2kg
Environment	Indoors

Table2-5 Accessory Parameter

Accessory

Supplied Accessory	Power Supply, RS232 Control Cable, USB3.0 Cable, IR Remote Control, User Manual
Optional Accessory	Ceiling / Wall Mount (Extra Cost)

Table2-6 AI Function

AI Function	
Real-time Tracking Mode	The longest tracking distance can reach 6-7 meters, which can support the speaker to walk at a speed of 3-4 mph
Zone Tracking Mode	4 tracking zones are available, which can be set within -170° ~ +170° in horizontal and -30° ~ +90° in vertical.
Person Selection	Select the tracking object by clicking the people object box on the web page.

2.4 Interface Introduction

2.4.1 Interface Diagram

The external interfaces of this product include: HDMI interface, USB3.0 interface, HDBaseT interface, audio input interface, network interface, RS232 input/output, RS422 (Compatible with RS485) , DC12V power supply, power switch. The external interface diagram is shown in Figure 2.2.

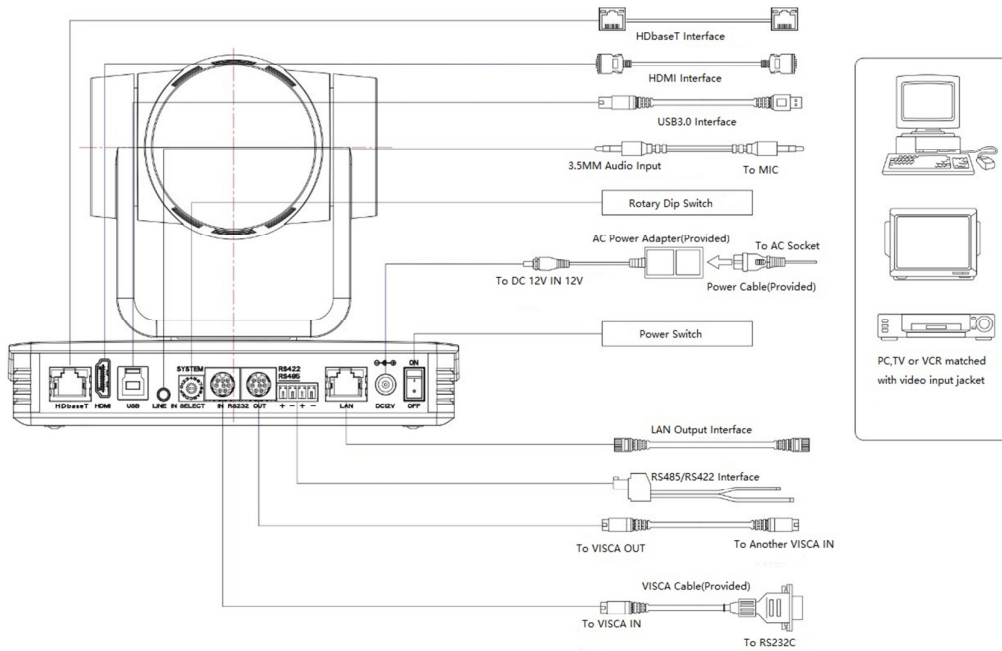
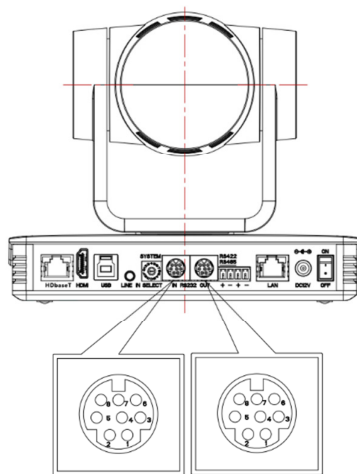


Figure2-2 Interface Diagram

2.4.2 RS-232

1) RS-232 Diagram

Connecting method to PC or controller



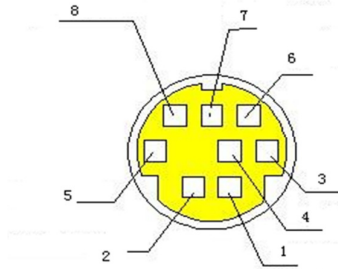
Device	WindowsDB-9
1.DTR	1.DCD
2.DSR	2.RXD
3.TXD	3.TXD
4.GND	4.DTR
5.RXD	5.GND
6.GND	6.DSR
7.IR OUT	7.RTS
8.NC	8.CTS
	9.RI



Figure2-3 RS-232 Diagram

2) RS-232 Mini-DIN 8-pin Terminal Port Definition

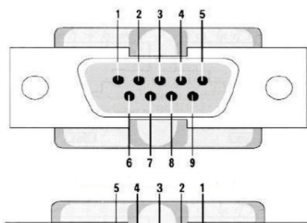
Table2-7 RS-232 Mini-DIN 8-pin Terminal Port Definition



NO.	Terminal Port	Definition
1	DTR	Data Terminal Ready
2	DSR	Data Set Ready
3	TXD	Transmit Data
4	GND	System Ground
5	RXD	Receive Data
6	GND	System Ground
7	IR OUT	IR Commander Signal IR
8	NC	No Connection

3) RS232(DB9) Terminal Port Definition

Table2-8 RS232(DB9) Terminal Port Definition



NO.	Terminal Port	Definition
1	DCD	Data Carrier Detect
2	RXD	Receive Data

4
)
V
I
S
C
A

3	TXD	Transmit Data
4	DTR	Data Terminal Ready
5	GND	System Ground
6	DSR	Data Set Ready
7	RTS	Request to Send
8	CTS	Clear to Send
9	RI	Ring Indicator

Networking Method

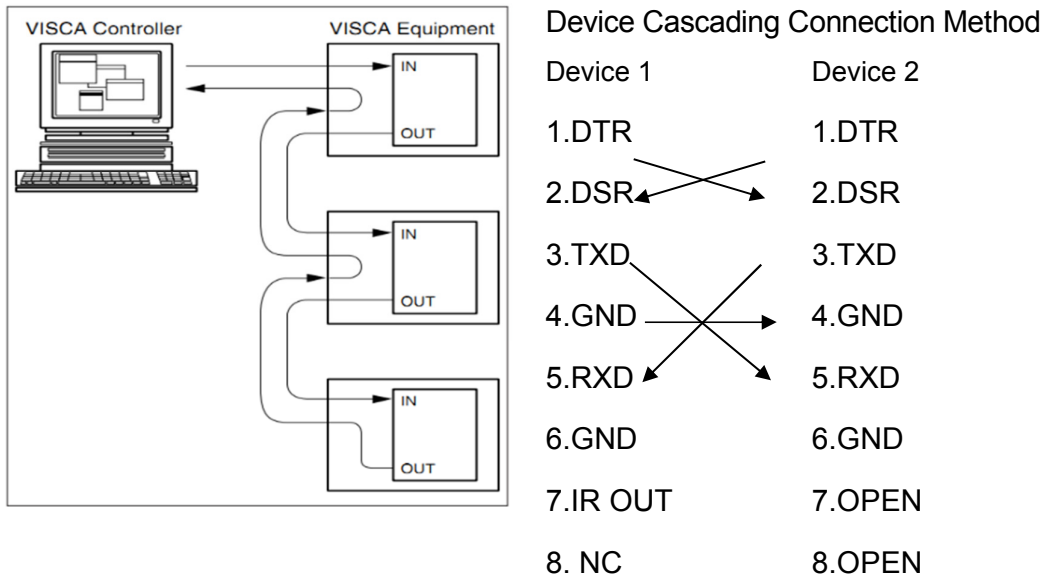
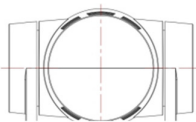


Figure2-4 VISCA Networking Diagram

⚠ Caution

- This camera has RS232 Input/Output interface, you can cascade as above method

2.4.3 Rotary Dial



Corresponding video format to 0-F rotary dial

0 : Video Format: 4KP30 8 : ----

1 : Video Format: 4KP25	9 : ----
2 : Video Format: 1080P30	A : ----
3 : Video Format: 1080P25	B : ----
4 : Video Format: 1080P29	C : ----
5 : ----	D : ----
6 : ----	E : ----
7 : ----	F : ----

 **Caution**

- After changing the video system by rotating the dial code, it will take effect only after power off and restarting.
 - After turning the dial to 5-F, power off and restart, then the menu can display the video system.
-

3. How to Use

3.1 Video Output

3.1.1 Power-on Self-test

After powering on, camera will have initial configuration and receiver light will be flashing. Camera will do a brief pan-tilt tour and return to the home position, or if preset 0 is set, the camera will return to the preset 0 position).

3.1.2 Video Output

1) Network output: connect this product and your computer through network cable, then open the browser, enter the camera IP address (factory default 192.168.5.163) in the address bar, then to the login page and input a user name and password (factory default are "admin") ,Finally enter the preview page, and the image comes out.

 **Caution**

- If you forget your user name, password, IP address, you can manually restore the default by the remote controller key combination * #
-

2) HDbaseT, HDMI Output: Connect the monitor with the corresponding video output interface.

3) USB3.0 Output: Connect this product with computer USB3.0 interface, open the Device Manager to see whether there is an image device and whether the Universal Serial Bus controllers recognize USB3.0 device. After properly identified, open the software, choose the image device and then it will output image.

3.2 Remote Control

Remote control using instruction: There are wireless remote control and IR remote control for options. Please read the following content according to the actual remote control type. (This camera does not support wireless remote control)

Steps for wireless remote control usage are as below, (IR remote control does not need code pairing)

1) Code Pairing

Press the "Settings" + "" button for 3 seconds, the LED will turn off to flashing, after releasing the button, the LED light will keep flashing to start the code pairing, the receiver is powered on, and the LED will be off when the code pairing is successful; If you use other remote control, you need to clear the code of this remote control, or re-pair the code of the new remote control. If the code pairing has been unsuccessful, the red LED light flashes for 20 seconds and then goes out, stop the code pairing and go to sleep; at this time, press any key to wake up and re-pair the code.

 **Caution**

- After the code is successfully matched, you need to select the camera address to control it
-

2) Clear Code Data

Press the "Settings" key + "#" key from light off to flashing, the receiving end is powered off and then powered on. The LED is off, indicating that the paired data is cleared successfully

3) Enter Sleep Mode and Wake Up

If there is no operation in the working state, it will immediately enter the sleep mode, and press any key to wake up.

3.2.1 IR Remote Control



1. Standby Key

After 3S long press, the camera will step into standby mode. Long press 3S again, the camera will self-test again and back to HOME position. (Note: If power-on mode is turned on and Preset 0 is set, and there is no operation within 12s, it will automatically point to the specified preset position.)

2. Camera Address Selection

Select the camera address which wants to be controlled

3. Number Key

Set or run 0-9 presets

4,*,# Key

Key combination use

5. Focus Control Key

Auto Focus: Enter into auto focus mode.

Manual Focus: The camera focus mode is manual

Switch the camera focus mode to manual focus by pressing [focus +] or [focus -] to adjust.

6. Zoom Control Key

Zoom + :Lens near Zoom - :Lens far

7. Set or Clear Preset key:

Set Preset: Set preset key + 0-9 number key:

Clear Preset key: Clear preset key + 0-9 number key

8. Pan/Tilt Control Key

Press ▲Key :Up

Press ▼Key :Down

Press ◀Key :Left

Press ▶Key :Right

“HOME” Key: Return to the middle position or enter into the next level menu

9. BLC Control Key

Back Light ON / OFF: Turn on or off the back light

10. Menu Setting

Open or close the OSD menu

Enter / exit the OSD menu or return to the previous menu.

11. Camera IR Remote Control Address Setting

【*】 + 【#】 + 【F1】 :Camera Address No.1

【*】 + 【#】 + 【F2】 :Camera Address No. 2

【*】 + 【#】 + 【F3】 :Camera Address No. 3

【*】 + 【#】 + 【F4】 :Camera Address No. 4

12. Key Combination Functions

【#】 + 【#】 + 【#】 :Clear all presets

【#】 + 【#】 + 【0】 :Switch the video format to 4KP30

【*】 + 【#】 + 【6】 :Restore factory defaults

【#】 + 【#】 + 【1】 : Switch the video format to 4KP25

【*】 + 【#】 + 【3】 :Menu set to Chinese

【#】 + 【#】 + 【2】 :Switch the video format to 1080P30

【*】 + 【#】 + 【4】 :Menu set to English

【#】 + 【#】 + 【3】 :Switch the video format to 1080P25

【*】 + 【#】 + 【9】 :Flip switch

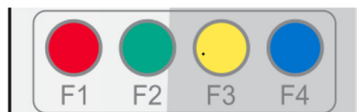
【#】 + 【#】 + 【4】 :Switch the video format to 1080P29

【*】 + 【#】 +Auto: Enter into the aging mode

【#】 + 【*】 + Auto: Stop into the aging mode

【*】 + 【#】 +Manual: Restore the default user name, password, and IP address

13. AI Function Short Keys



【F1】 : Turn off AI Human Detection

【F2】 : Turn on AI Human Detection

【F3】 : Switch figure tracking mode

【F4】 : Chang tracking target on real tracking mode

3.2.2 Remote Control Usage

Finishing initialization, it can receive and execute the IR commands. Press the remote controller button, the indicator light is flashing; release the button, the indicator light stops flashing. Users can control the pan/tilt/zoom, setting and running preset positions via the IR remote controller.

Key Instruction:

1. In this instruction, “press the key” means a click rather than a long-press, and a special note will be given if a long-press for more than one second is required.
2. When a key-combination is required, do it in sequence. For example, “ **【 *】** + **【#】** + **【F1】** ” means press “ **【*】** ” first and then press “ **【#】** ” and last press “ **【F1】** ”

1) Camera Selection



Select the camera address to control.

2) Pan/Tilt Control



Up: press ▲ Down: press ▼

Left: press ◀ Right: press ▶

Back to middle position: press“ **【HOME】** ”

Press and hold the up/down/left/right key, the pan/tilt will keep running, from slow to fast, until it runs to the endpoint; the pan/tilt running stops as soon as the key is released.

3) Presets Setting, Running, Clearing



1. Preset setting: to set a preset position, the users should press the “【SET PRESET】” key first and then press the number key 0-9 to set a relative preset,

Note: 10 preset positions in total are available by remote controller.



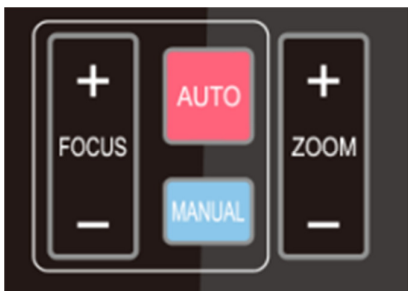
2. Preset Running: Press a number key 0-9 directly to run a relative preset.

Note: Action in vain if a relative preset position is not existed.

3. Preset clearing : to clear a preset position, the user can press the “【CLEAR PRESET】” key first and then press the number key 0-9 to clear the relative preset;

Note : press the“【#】” key three times continually to cancel all the presets.

4) Zoom Control

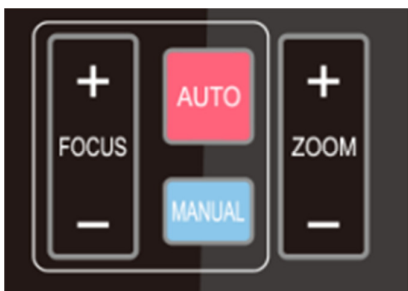


ZOOM IN: press “ZOOM ▼” key

ZOOM OUT: press “ZOOM ▲” key

Press and hold the key, the camera will keep zooming in or zooming out and stops as soon as the key is released.

5) Focus Control



Focus (near): Press “【focus+】” key (Valid only in manual focus mode)

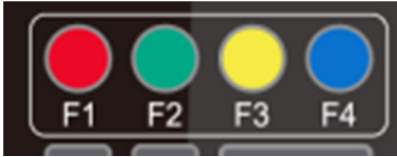
Focus (far): Press “【focus-】”key (Valid only in manual focus mode)

Auto Focus: Support

Manual Focus: Support

Press and hold the key, the action of focus will keep continue and stops as soon as the key is released.

6) Camera Remote Controller Address Setting



【*】 + 【#】 + 【F1】 :Camera Address No.1

【*】 + 【#】 + 【F2】 :Camera Address No. 2

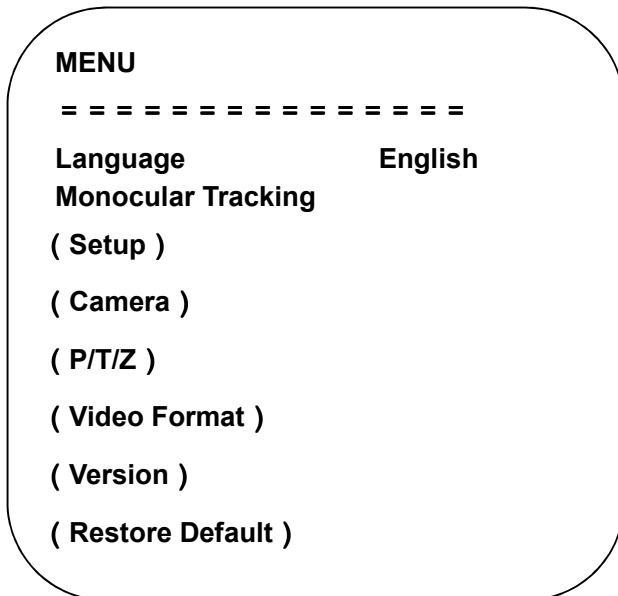
【*】 + 【#】 + 【F3】 :Camera Address No. 3

【*】 + 【#】 + 【F4】 :Camera Address No. 4

3.3 Menu Setting

3.3.1 Main Menu

In normal working mode, press 【MENU】 key to display the menu, using scroll arrow to point at or highlight the selected items.



Language : Chinese/English

Monocular Tracking: Enter into submenu of system setting

Setting : Enter into submenu of

Camera Parameter: Enter into submenu of

system setting

camera parameter

P/T/Z : Enter into submenu of PTZ parameter

Version: Enter into submenu of version

Restore Factory Default: Select Yes or No to restore factory default.

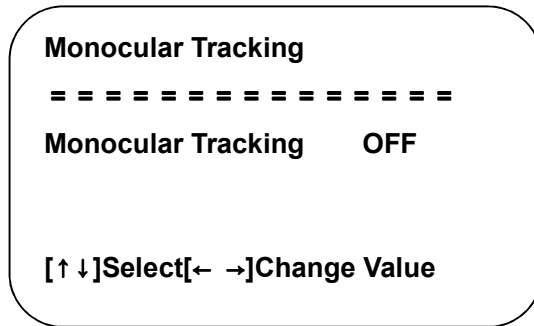
[↑↓]Select : Press [↑↓] to Select menu

[← →]Revise : Press [← →] to revise parameter

[Menu]Return: Press [Menu] to return

[Home]Confirm: Press [Home] to confirm

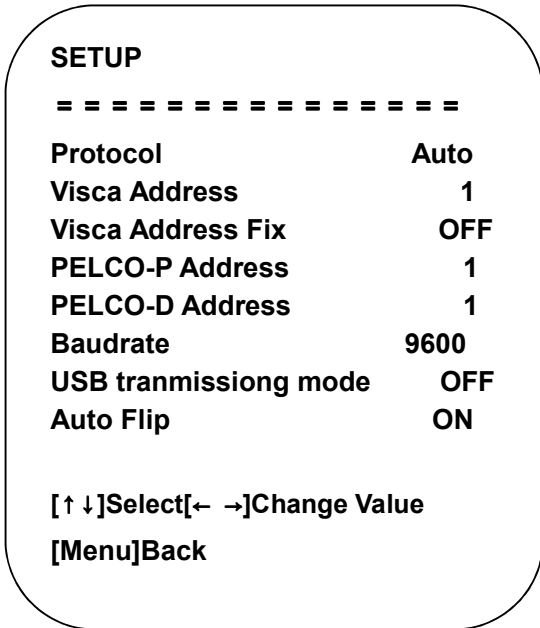
3.3.2 Monocular Tracking



Monocular Tracking: On/Off

3.3.3 System Setting

Move the pointer to the (Setup) in the Main Menu, click the **[HOME]** key and enter into the (System Setting) as shown below.



PROTOCOL:

VISCA/Pelco-/Pelco-D/Auto

Address : VISCA=1~7 Pelco-P = 1~255

Pelco-D =1~255

Baudrate: 2400/4800/9600/115200

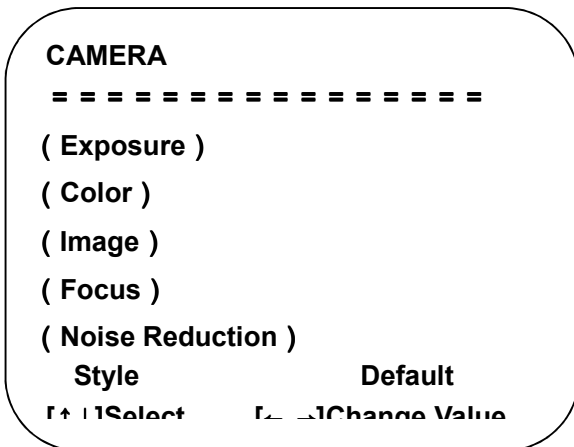
Visca Address Fix : On/Off

USB dual stream : On/Off

Auto Flip : On/Off

3.3.4 Camera Parameter Setting

Move the pointer to the (CAMERA) in the Main Menu, click the **【HOME】** key and enter the (CAMERA) as follow



Exposure: Enter into Exposure setting

Color: Enter into color setting

Image: Enter into image setting

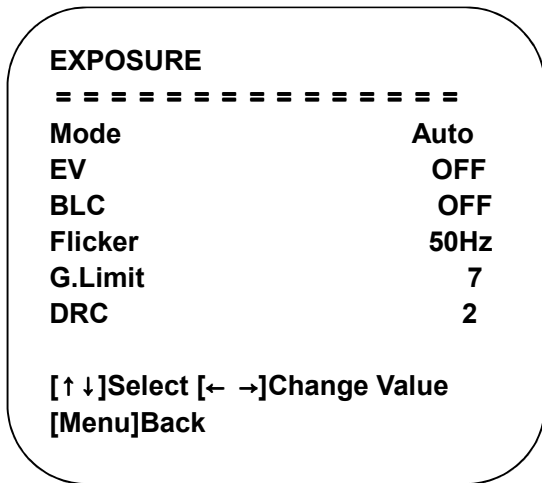
Focus: Enter into focus setting

Noise Reduction: Enter into noise reduction

Style: Default, standard, clear, bright, soft

1) Exposure

Move the pointer to the (EXPOSURE) in the Main Menu, click the **【HOME】** and enter the (EXPOSURE SET) as follow



Mode : Auto, Manual, Shutter priority, Iris priority and Brightness priority.

EV : On/Off (only available in auto mode)

Compensation Level: -7~7 (only available in auto mode when EV is ON)

BLC: ON/OFF for options (only available in auto mode)

Anti-Flicker: OFF/50Hz/60Hz for options (only available in Auto/Iris priority/Brightness priority modes)

Gain Limit: 0~15(only available in Auto/ Iris priority /Brightness priority mode)

Dynamic range: 1~8, off

Shutter Priority: 1/25, 1/30, 1/50,1/60, 1/90, 1/100, 1/120, 1/200, 1/250, 1/350, 1/500, 1/1000, 1/2000, 1/3000, 1/4000, 1/6000, 1/10000, 1/20000 (only available in Manual and Shutter priority mode)

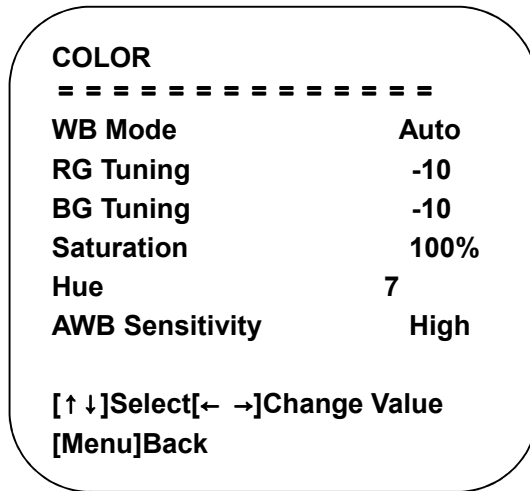
IRIS : OFF,F11.0,F9.6,F8.0,F6.8,F5.6,F4.8,F4.0,F3.4,F2.8,F2.4,F2.0,F1.8(only available in Manual and Iris priority mode)

Brightness: 0~20 (only available in Brightness priority mode)

Gain: Set the size of the gain, 0 ~ 15 (Only available in manual mode and shutter priority mode)

2) Color

Move the pointer to the (COLOR) in the Main Menu, click the **【HOME】** and enter the (COLOR SET) as follow



WB Mode: Auto, Manual, One Push, Specified color temperature

Red Tuning: -10~10(only available in Auto mode)

Blue Tuning: -10~10(only available in Auto mode)

Red Gain: 0~255(only available in Manual mode)

Blue Gain: 0~127(only available in Manual mode)

Saturation: 60%, 70%, 80%, 90%, 100%, 110%, 120%, 130%, 140%, 150%, 160%, 170%, 180%, 190%, 200%

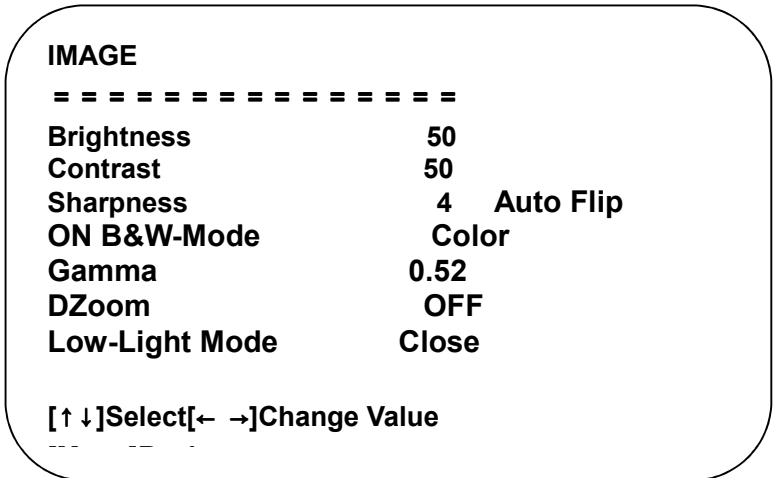
AWB Sensitivity: high/middle/low (only available in Auto mode)

Color temperature: 2400K-7100K (only valid at specified color temperature)

Chroma: 0~8

3) Image

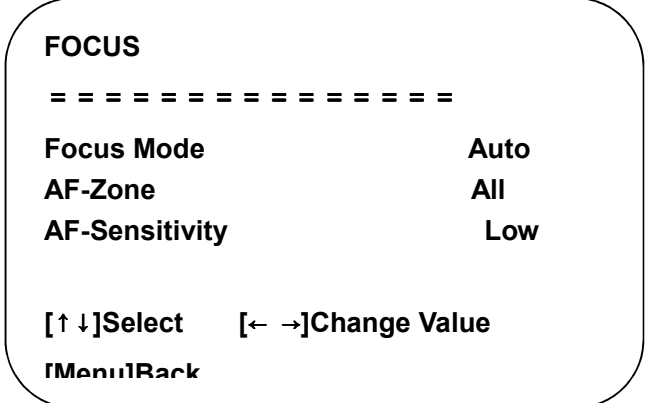
Move the pointer to the (IMAGE) in the Menu, click the **【HOME】** and enter the (IMAGE) as follow



- Brightness:** 0~100
- Contrast:** 0~100
- Sharpness:** 0~15
- Horizontal Flip:** On/Off
- Vertical Flip:** On/Off
- B&W Mode:** Color, black/white
- Gamma:** Default, 0.45, 0.50, 0.55, 0.63
- Digital Zoom:** On/Off
- Low-Light Mode:** Close/Open

4) Focus

Move the pointer to the (FOCUS) in the Menu, click the **【HOME】** and enter the (FOCUS) as follow.

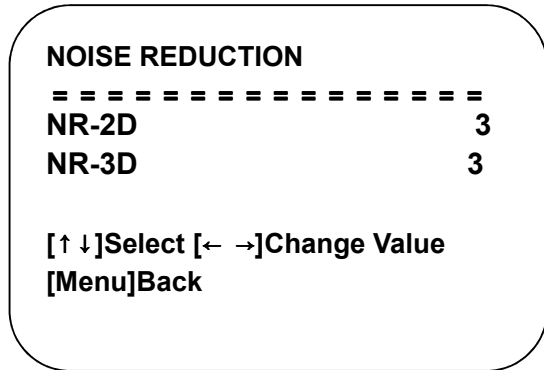


- Focus Mode:** Auto, manual
- AF-Zone:** Up/middle/down

AF-Sensitivity: High, middle, low

5) Noise Reduction

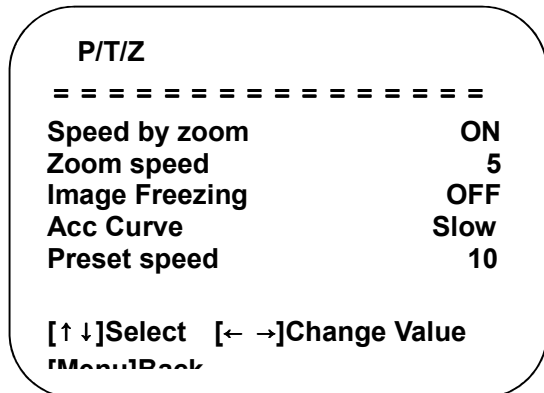
Move the pointer to the (NOISE REDUCTION) in the Menu, click the **【HOME】** and enter the (NOISE REDUCTION) as follow



Noise Reduction: Close, 1~8

3.3.5 P/T/Z

Move the pointer to the (P/T/Z) in the Main Menu, click the **【HOME】** and enter the (P/T/Z) as follow



Depth of Field: Only effective for remote controller, On/ Off;

When zoom in, the Pan/Tilt control speed by remoter will become slow

Zoom Speed: Set the zoom speed for remote controller, 1~8

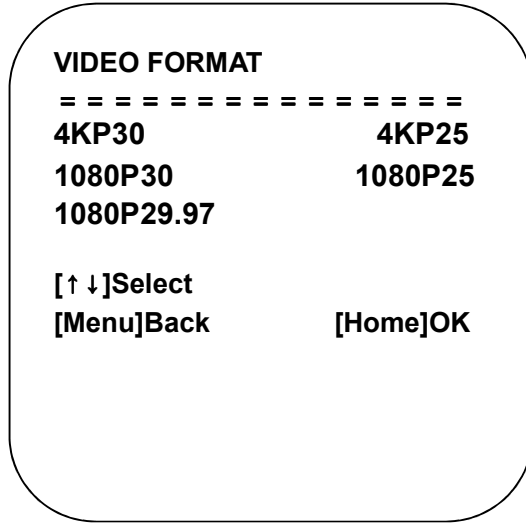
Image Freezing: On/Off

Accelerating Curve: Fast/slow

Preset Speed: 1-10

3.3.6 Video Format

Move the pointer to the (Video Format) in the Menu, click the **【HOME】** and enter the (Video Format) as follow

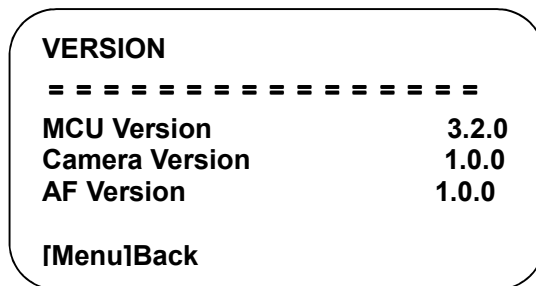


 **Caution**

- Exit menu after modifying parameter to save it
-

3.3.7 Version

Move the pointer to the (VERSION) in the Main Menu, click the **【HOME】** and enter the (VERSION) as follow



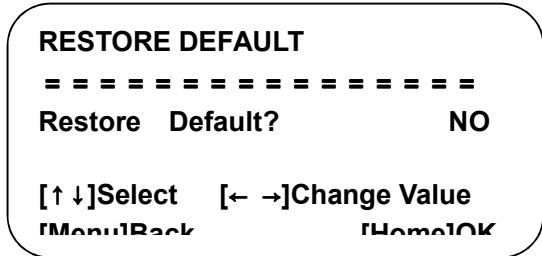
MCU Version: Display MCU version information

Camera Version: Display camera version information

AF Version: Display the focus version information

3.3.8 Restore Default

Move the pointer to the (VERSION) in the Main Menu, click the **【HOME】** and enter the (VERSION) as follow.



Restore default: Yes/No (after restoring default, the language, color, and video format won't be restored)

 **Caution**

- If the address of former remoter is not 1 but another one from 2,3,4, the corresponding camera address will restore to 1 when all parameters or system parameters are restored. User should change the remoter address to be 1 (press No.1 according to the camera so to get normal operation)
-

4. Network Connection

4.1 Connection Method

Direct Connection : Direct connections via “cross-over” network cable

Connection to LAN : Connections to LAN via patch cable to LAN wall jack or LAN switch

Caution

- Please do not put the power and network cable in places where can be easily touched to prevent video quality lowered by unstable signal transmission due to poor contact of cables.

The computer must have the network segment where the camera IP address belongs to. The device will not be accessible if without the segment. I.E. The camera default IP address is **192.168.5.163**, then segment 5 must be added in the computer. Specific steps are as below:

Firstly open the window of Local Area Connection Properties on computer, select the “Internet protocol version 4(TCP/IPv4)” as shown by picture on the left. Double click or click the property “Internet” protocol version 4 (TCP/IPv4)to enter into the Internet Protocol Version 4(TCP/IPv4) Properties window, select “Advanced” to enter into the Advanced TCP/IP Setting and add IP and subnet mask in the IP browser as picture shown below. Click the “Confirm” to finish the adding of IP segment. User can add the corresponding network segment according to the revised IP address of the camera.

Caution

- The IP address to be added cannot be same with that of other computers or devices. The existence of this IP address needs to be verified before adding.

Click the “Start” and select “Operation” to input cmd, open DOS command window and input 192.168.5.26, then press Enter key. It will show picture as below, which means network segment has been successfully added.

```
C:\Users\Administrator>ping 192.168.5.26

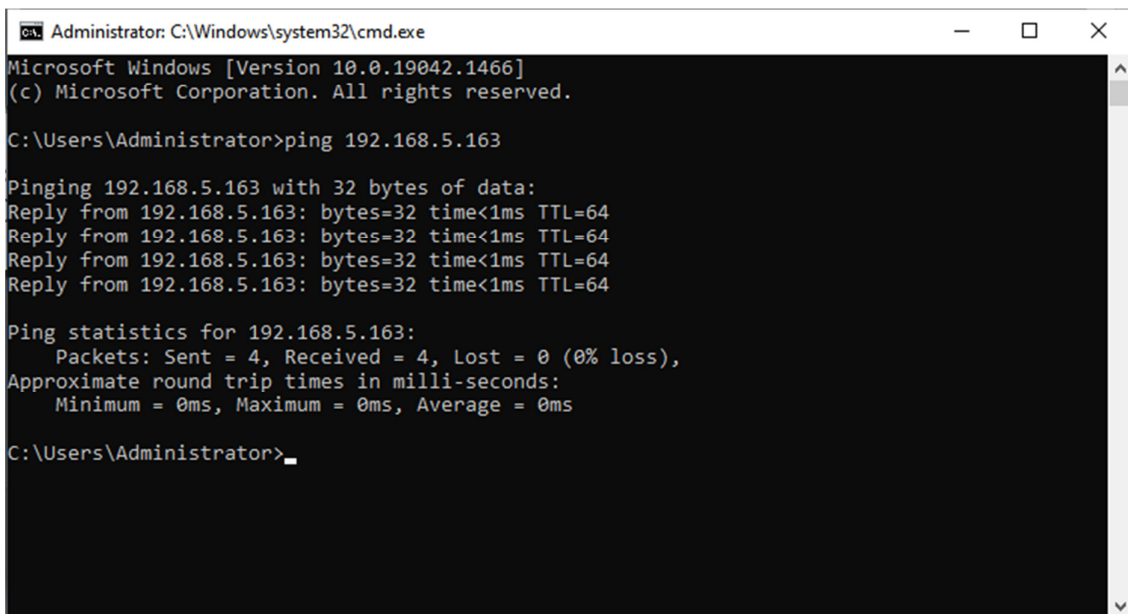
Pinging 192.168.5.26 with 32 bytes of data:
Reply from 192.168.5.26: bytes=32 time<1ms TTL=128
Reply from 192.168.5.26: bytes=32 time<1ms TTL=128
Reply from 192.168.5.26: bytes=32 time<1ms TTL=128
Reply from 192.168.5.26: bytes=32 time<1ms TTL=128

Ping statistics for 192.168.5.26:
    Packets: Sent = 4, Received = 4, Lost = 0 (0% loss),
Approximate round trip times in milli-seconds:
    Minimum = 0ms, Maximum = 0ms, Average = 0ms

C:\Users\Administrator>_
```

Figure4-1 Network segment successfully added

User can also to verify network connection as steps above mentioned after the finish of camera self-check. If IP is default, open DOS command window and input 192.168.5.163, then press Enter key. It will show message as below: which means network connection is normal.



```
Administrator: C:\Windows\system32\cmd.exe
Microsoft Windows [Version 10.0.19042.1466]
(c) Microsoft Corporation. All rights reserved.

C:\Users\Administrator>ping 192.168.5.163

Pinging 192.168.5.163 with 32 bytes of data:
Reply from 192.168.5.163: bytes=32 time<1ms TTL=64
Reply from 192.168.5.163: bytes=32 time<1ms TTL=64
Reply from 192.168.5.163: bytes=32 time<1ms TTL=64
Reply from 192.168.5.163: bytes=32 time<1ms TTL=64

Ping statistics for 192.168.5.163:
    Packets: Sent = 4, Received = 4, Lost = 0 (0% loss),
Approximate round trip times in milli-seconds:
    Minimum = 0ms, Maximum = 0ms, Average = 0ms

C:\Users\Administrator>_
```

Figure4-2 Network Connection Screenshot

4.2 Camera Web Interface

4.2.1 Web Login

1) Web Login

After assigning an IP address to the camera, you can reach the Web Interface by typing in the camera's IP address into a web browser. You can log in this interface as administrator or user. If as administrator, type in "admin" into the user name and password fields. If as user, type in "user1" or "user2" into the user name and password fields.

Note:

1. If login as "user", your rights are limited to preview, playback, and logout (No configuration right)
2. Browsers that support Web function are Google, IE, 360 and other popular browsers.

Language Selection: On the right top of the interface display "中文|English", click "English".

2) Download Plug-in

When first using IE browser to access the web conferencing camera, the login page will appear "Playback plug-in is not installed, please download and install!" Click on this message, download and install MRWebXinstall.exe, according to information prompts.

After installing the plugin, enter user name and password, click and Sign (initial default user name and password: "admin", users can change the user name and password on their own after entering) into the Web client management interface.

4.2.2 Preview

After successful login into the management interface, it enters the video preview interface. In the preview screen, users can control PTZ, zoom, focus, sound, zoom in, full screen and set the preset position, run, delete and other operations.

1) Login as administrator

User name and default password: admin

You can control PTZ, zoom, focus, sound, zoom in, full screen and set run, and delete the preset position.

Can preview, configure, logout.

2) Login as user

User name and default password: “user1” or “user2”

You can control PTZ, zoom, focus, sound, zoom in, full screen and set run, and delete the preset position.

Can preview and logout.

Caution

- No configuration permission for normal user login.
-

4.2.3 Configuration

Click Configuration to enter into the device parameters setting page

There are the following options: audio configuration, video configuration, network configuration, system configuration, detailed description see the following table.

Table4-1 Explanation of Camera Configuration

Menu	Explanation
Audio configuration	Including audio compression format, sampling frequency, sampling precision, compression bit rate and other settings
Video Configuration	Including video encoding, video parameters, character-overlapping, character size, video output settings etc.
Network Configuration	Including network port, Ethernet parameters, wireless network (only with wireless module), DNS parameters, GB28181 etc.
System Configuration	Including equipment property, system time, user management, version update, Reset, Reboot device settings etc.

4.2.4 Audio Configuration

Switch: Choose to enable the audio or not.

Compressing Format: Set audio compressing format and manually reboot the device after change (default MP3, G.711A, AAC optional)

Sampling Frequency: Set sampling frequency and manually reboot the device after change (default 16000, 32000, 44100, 48000 optional, G.711A default 48000)

Sampling Precision: Set sampling precision (default 16bits)

Compressing Code Rate: Set audio compressing code rate (default 64bits, 32, 48, 96,128bits optional)

Channel Type: Set the channel type (mono by default, stereo optional)

Input volume: set the input volume (default 4,1-10 optional)

Note Click "SAVE", it will display "Successfully saved. Restart the device to take effect".

4.2.5 Video Configuration

1) Video Encoding

Code Stream: Different video output mode setting, use different streams. (Main stream, secondary stream)

Compression Format: Set the video compression format, save to take it effect (primary / secondary stream default: H.264,H.265 optional)

Profile: Profile Mode Setting (Default HP, BP, MP Optional)

Video Size: Set video image resolution, save to take it effect (main stream default 1920 * 1080, 1280 * 720, 640*480, 640*360 optional; default secondary stream 320*180, 320 * 240, 640*360, 640*480, 1280 * 720,1920 * 1080 optional)

Stream Rate Control: Set rate control mode, save to take it effect (Primary / secondary stream default variable bit rate, fixed rate is for option).

Image Quality: Set the image quality, image quality can be changed only when rate control is variable bit rate,(main stream defaulted is best, secondary stream default is better, there are best, better, good, bad, worse, worst for options).

Rate (Kb / s): Set the video bit rate (main stream default 4096Kb / s, 64-40960Kb/s optional; secondary stream default 512Kb/s , 64-40960Kb/s optional).

Frame rate (F / S): Set the video frame rate (primary / secondary stream default 25F / S, primary stream 5-60F/S optional, secondary stream 5-30F / S optional).

Key frame interval: Set the key frame interval (primary / secondary stream default 75, primary stream 1-150 optional. secondary stream 1-150 optional).

Minimum QP of key frame interval: Set minimum QP of key frame interval(Default 20, 10-51 optional)

Stream Name: When streaming via rtsp or rtmp, user can modify stream name. Main Stream(live/av0), sub stream(live/av1)

Click the "Save" button to display the "Parameter saved successfully" message, then settings take effect.

2) Stream Release

Switch: To turn on/off the main / secondary stream.

Protocol: primary / secondary stream applies RTMP protocol, RTSP, SRT

Host Port: server port number (default 1935, 0-65535 optional)

Host Address: server IP addresses (default 192.168.5.11)

Stream Name: choose a different stream name (live / av0,live / av1 optional).

User: Set the user name.

Password: Set the password.

Click on the "Save" button to display the "Save successful" message, then settings take effect.

3) RTP Broadcasting

Main/Sub Stream : On/off ;

Protocol : RTP, TS, UDP, TCP optional

Address : Default 224.1.2.3. It can be edited.

Port : The main stream defaults to 4000, the secondary stream defaults to 4002, and the main/secondary stream is optional from 0 to 65535.

Visit : Address comes up after setting. Eg; rtp://224.1.2.3:4000 ;

udp://@224.1.2.3:4000 ; tcp://@224.1.2.3:4002 ;

4) Video Parameters

A) Focus: Focus mode, focus tactic, focus sensitivity can be set.

Focus Mode: set the focus mode (Default automatic, manual optional, one-push)

Focus Tactic: set the focus tactic (Default Up, middle, Down, and all are optional)

Focus Sensitivity: Set the focus sensitivity (Default is low, high, medium optional)

B) Exposure: Exposure mode, exposure compensation, backlight compensation, anti-flicker, gain limit, shutter, aperture, brightness, gain can be set.

Exposure Mode: Set the exposure mode (Default automatic, manual, shutter priority, aperture priority, brightness priority optional)

Exposure Compensation: Exposure compensation setting is active when it is auto status (default is off).

Exposure Compensation Value: Set the exposure compensation value, valid when Exposure Compensation is on (default 0,-7 to 7 optional).

BLC: Set back light compensation, valid when it is auto status (default is off).

Anti-flicker: Set anti-flicker compensation, valid in automatic exposure mode, iris priority, and brightness priority. (default 50Hz, off, 60Hz optional).

Gain Limit: Set the gain limits, valid in auto focus, iris priority, and brightness priority. (default 4, off, 0~15 optional)

Gain: Set gain, only valid in manual exposure mode and shutter priority (default 0, 0~15 optional)

Dynamic Range: Set the dynamic range (default: 4, off, 1 to 8 optional).

Shutter Speed: Set shutter speed value, valid in manual exposure mode and shutter priority. (default 1/100 ,
1/25,1/30,1/50,1/60,1/90,1/100,1/120,1/200,1/250,1/350,1/500,1/1000,1/2000,1/3000 ,1/4000,1/6000,1/10000, 1/20000 optional).

Aperture Value: Set the aperture value, valid in manual exposure mode and iris priority (default F1.8,close, F11,
F9.6,F8.0,F6.8,F5.6,F4.8,F4.0,F3.4,F2 .8,F2.4,F2.0,F1.8 optional).

Brightness: Set the brightness value, valid in brightness priority mode (default 7,0-20 optional).

C) Color: White balance, saturation, hue, white balance sensitivity, red fine tuning, blue fine tuning, red gain, blue gain, color temperature can be set.

White Balance Mode: Set the white balance mode (Default automatic, manual, one-push white balance, specified color temperature optional).Note: Right click the “Correction” button when selected the One-push white balance mode.

Red Fine Tuning: Set red fine tuning, valid in auto white balance mode. (default 0, -10-10 optional).

Blue Fine Tuning: Set Blue fine tuning, valid in auto white balance mode. (default 0, -10-10 optional).

Saturation: Set the saturation (default 36 , 0-124 optional).

Chroma: Set the chrome (default 4, 0-8 optional).

White Balance Sensitivity: Sensitivity Auto white balance settings (default is low, high, medium optional).

Red Gain: Set the red gain, valid in manual white balance mode (default 45, 0-255 optional).

Blue Gain: Sets the Blue gain, valid in manual white balance mode (default 45, 0-255 optional).

Color temperature: 2400K-7100K (optional under specified color temperature)

D) Image: You can set brightness, contrast, sharpness, gamma curve, dynamic contrast, black and white mode, horizontal flip, vertical flip, electronic zoom, lens distortion calibration

Brightness: Set the brightness (default 50, 0-10 optional).

Contrast: Set the contrast (default 50, 0-10 optional).

Sharpness: Set the sharpness value (default 5, 0-15 optional).

Gamma: Gamma value setting (default 0.45, 0.50, 0.55, 0.63 optional).

Black and white mode: Set black and white mode (default color, black and white optional)

Horizontal flip: Set horizontal flip (shown when auto flip is off, default off, on optional)

Vertical flip: Set vertical flip (shown when auto flip is off, default off, on optional)

Electronic zoom: Set electronic zoom (optional on or off by default)

Auto flip: Set image flip (default on, off optional)

Ultra low illumination: Set ultra low illumination (default on, off optional)

E) Noise Reduction: 2D&3D noise reduction and dynamic dead pixel correction available.

2D Noise Reduction: Set 2D noise reduction level (default 2, 1-8 and off optional).

3D Noise Reduction: Set 3D noise reduction level (default 4, 1-8 and off optional).

F) Style: Select image (Default, standard, brightness, clarity, and soft can be set)

 **Caution**

- Refresh the page after changing above parameters in a, b, c, d, e, f to take effect.

5) Character Overlapping

Display Time & Date: Yes/No

Display Title: Yes/No

Time, Font and Color: Default white, black, yellow, red and blue optional)

Title Font Color: Default white, black, yellow, red, and blue optional)

Move Character: Set the location where the time and title to display. Click “ up, down, left, right” button to move the characters’ location.

Title: Set title on device property (default CAMERA1)

Time: Set time on system time (default 1970/01/01 05:36:00)

Click “Save” button, “parameters are successfully saves” window pop-up, which means the setting take effect.

6) Character Size

Automatically Adjust According to the Resolution: Yes/No

Main Stream Character Size: Set the character size of the display, the device will automatically restart after changed (default 48, 28-200 optional)

Secondary Stream Character Size: Set the character size of the display, the device will automatically restart after changed (default 48, 28-200 optional)

Click "Save" button, "parameters are successfully saves" window pop-up, which means the setting take effect.

7) Video Output

Output Format: Set the video output format, 4KP30, 4KP25, 1080P30, 1080P25, 1080P29.97 optional

Click "Save" button, "parameters are successfully saves" window pop-up, which means the setting take effect.

4.2.6 Network Configuration

1) Network Port

Data Port: set the data port, the device will restart automatically after changed (default 3000,0-65535 optional).

Web Port: Set Web port, the device will restart automatically after changed (default is 80, 0-65535 is optional).

Onvif Port: Set Onvif port, the device will restart automatically after changed (default 2000, 0-65535 optional).

Soap Port: Set Soap port (default 1936, 0-65535 optional).

RTMP Port: Set RTMP port (default 1935, 0-65535 optional).

RTSP Port: Set RTSP port, the device will restart automatically after changed (default 554,0-65535 optional).

Visca Port: Set Visca port, the device will restart automatically after changed (default 1259,0-65535 optional).

Https Port: Set https port, the device will restart automatically after changed (default 443, 0-65535 optional).

WebSocket Port : Set Visca port, the device will restart automatically after changed (default 8088, 0-65535 optional).

Click on the "Save" button, it will be valid when display "Save successful".

RTSP access: RTSP: // equipment IP address: 554/live/av0 (av0 main stream; av1 second stream)

RTMP Access : Rtmp://equipment IP address: 1935/live/av0 (av0 main stream; av1 second stream)

2) Ethernet Parameter

DHCP: Enable or disable obtain IP automatically can be set. After saved, reboot the device to takes effect (default: OFF)

IP Address: Set the IP address, after saved, reboot the device to takes effect (default 192.168.5.163).

Note: This IP address is the same with the one used to login Web page.

Subnet Mask: Set the subnet mask (default 255.255.255.0).

Default Gateway: Set the default gateway (default 0.0.0.0).

Physical Address: Set the physical address (the parameter is read-only)

Click the "Save" button, it will be valid when display "Save successful". (Note: To prevent IP conflicts when modify).

3) DNS parameters

Preferred DNS Server: Set the preferred DNS server. (Default 0.0.0.0).

Alternate DNS Server: Set alternate DNS server. (Default 0.0.0.0).

Click the "Save" button, it will be valid when display "Save successful".

4) GB28181

Switch: Set whether to activate GB28181.

Time Synchronization: Enable/Disable time synchronization

Stream Type: Set stream type (default main stream, secondary stream optional)

Signing Time (in seconds): 3600, range 5-65535

Heartbeat Time (seconds): 60, range 1-65535

Register ID: 34020000001320000001

Register User Name: IPC

Register Password: 12345678

Equipment Ownership: Users can add their own

Administrative Regions: Users can add their own

Alarm Zone: Users can add their own

Equipment Installation Address: Users can add their own

Local SIP Port: 5060 Range 0-65535

GB28181 Server Address: IP address of the computer

Server SIP Port: 5060 Range 0-65535

Server ID: 34020000002000000001

Click on the "Save" button, it will be valid when display "Save successful".

5) SRT

SRT Port: Set the SRT port (default 9000, 0-65535 optional)

SRT Password: Set SRT password

SRT Password Length: Set the SRT password length (default 0, 16, 24, 32 optional)

Click the "Save" button, and the prompt message "Parameters saved successfully! It will take effect after restarting!"

6) RTSP

Enable RTSP: Enable/Disable RTSP

RTSP Authentication: Set RTSP authentication, default off, on optional

Click the "Save" button, and the prompt message "Save successfully! Modify RTSP authentication parameters will take effect after restarting the device!" will be displayed. After setting, restart the camera to take effect.

4.2.7 System Configuration

1) Device Properties

Device Name: Set the device name (Default Camera1, user can add their own).

Device ID: Set the device ID (default 1, read-only).

System Language: Set the system language (default Simplified Chinese, English optional).Need to re-login after modify and save the setting.

Click on the "Save" button, it will be valid when display "Save successful".

2) System Time

Date Format: Set the date format (YYYY-MM-DD default Year - Month - Day, MM-DD-YYYY namely Month - Day - Year, DD-MM-YYYY namely Date- Month - Year Optional).

Date Separator: set the date separator (default ' / ' : ' - 'Optional).

Time Zone: Set the time zone (default UTC+08:00, other time zones optional).

Time Type: Set the time types (default 24 hours, optional 12 hours).

Enable NTP: Enable/disable NTP

Update Interval: Set the NTP server automatic updated time interval. Valid after setting NTP server synchronization (default one day, 2-10 days Optional).

NTP Server Address or Domain Name: Set NTP server address or domain name (default time.nits.gov). Valid after setting NTP server synchronization.

NTP Server Port: Sets the NTP server port (default 123). Valid after setting NTP server synchronization.

Click on the "Save" button, it will be valid when display "Save successful".

Time setting: set time mode (optional synchronization with computer time, synchronization with NTP server, manual setting)

Computer time: Display the computer time (only when the time setting method is synchronized with the computer time), click the "Synchronize" button

Manual time setting: Click the calendar icon on the right to manually set the time (only the time setting method is manual setting)

3) User Management

Select Users: Set the user type (the default administrator, User 1, User 2 optional)

User Name: Set the user name (Select User Administrator default admin; select a common user1 default user1; to select a common user 2 default user2; user can modify their own)

Password: Set a password (Select User Administrator default admin; select a common user1 default user1; to select a common user 2 default user2; user can modify their own).

Password Confirmation: Confirm the input passwords are the same or not.

Click on the "Save" button, it will be valid when display "Save successful".

Please note the capitalization of user name and password

Caution

- If you log in to the webpage with the user name and password of an ordinary user, you have no configuration rights and can only perform preview, playback, and logout operations.

4) Version Update

The version information displayed on the page is read-only version and cannot be modified by the user. It is the same as the version information in the menu. The version information of different device models is different.

Update File: Click "Browse..." in the pop-up window and select the upgrade file; click the "Upgrade" button, the upgrade dialog box will pop up. After successfully update,

device will automatically reboot. (Note: Make sure that the device power and network can work during update, if not, the upgrade will fail.)

Caution

- After the version upgrade is completed, you need to restore the factory default values

- a, restore the factory default through web configuration;

- b, restore the factory default value through the menu;

- c, remote control shortcut key *#6 restore factory default;

Choose one of the above three methods, in which the IP account and password of “method a” are also restored to the default.

5) Restore Factory Setting

Click "Restore Factory Defaults" button and choose “yes” or “no” on pop-up window, then the device will restart automatically and restore factory setting.

6) Reboot

Click "Reboot" button and choose “yes” or “no” on the pop-up window, then the device will restart automatically.

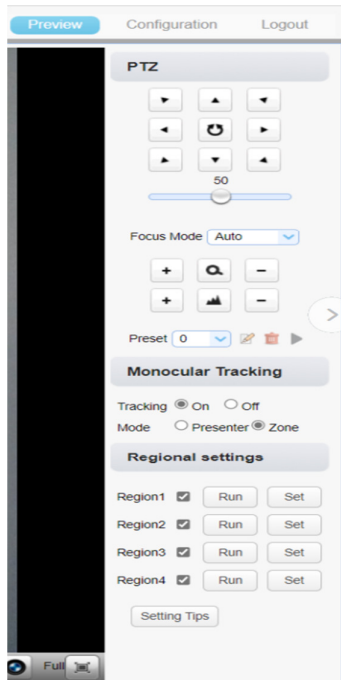
4.2.8 Logout

Click "Logout"; and select "Yes" or "No" on pop-up window. If choose “Yes”, you will exit the current page and return to the user login interface again.

4.2.9 Monocular AI Tracking Function Web Page Configuration

1. After login, enter into the management interface and turn on Tracking below “Monocular Tracking”

2. On the right top is PTZ control area, in which you can set the preset region of Regional Tracking. Interface is as below.



Regional Settings Steps (We take Region1 as an example):

1. On the PTZ Area, adjust image by clicking direction buttons to select one region.
2. After finishing region1 setting, click “Set” to complete the Region1 Tracking. Other region settings are same as region1 setting steps.

You can set 4 different regions, and minimum 2 regions. And the Regional Tracking settings can only be configured through the webpage.

Call out the regional tracking: Click “Run” of corresponding region on the “Regional settings” area.

Person selection mode: When the person selection mode is turned on, the user can see that the portrait of the person in the screen is framed, the object frame of the currently selected tracking object is yellow, and the object frame of the unselected tracking object is green. You can change the tracking object by clicking the person object box.

5. Serial Port Communication Control

In normal working state, you can control the camera through RS232/RS485 (VISCA IN) cable. The parameter of RS232 is as below:

Baud rate: 2400/4800/9600/115200/second

Start Bit : 1 bit ;

Data Bit : 8 bit ;

Stop Bit : 1 bit ;

Verification Bit : None.

After power on, the camera will first turns to the bottom left and then back to the center position.

The zoom lens is pulled to the farthest position, and then pulled back, after that self-test is completed.

If the camera has saved preset number 0, the camera will be set to preset position 0 after the initialization is completed.

So far, the user can use the serial port command to control the device.

5.1 VISCA Protocol List

5.1.1 Camera Return Command

Ack/Completion Message		
	Command packet	Remark
ACK	z0 41 FF	Returned when the command is accepted.
Completion	z0 51 FF	Returned when the command has been executed.

z = device address + 8

Error Messages		
	Command packet	Remark
Syntax Error	z0 60 02 FF	Returned when the command format is different or when a command with illegal

		command parameters is accepted.
Command Buffer Full	z0 60 03 FF	Indicates that two sockets are already being used(executing two commands) and the command could not be accepted when received.
Command Canceled	z0 6y 04 FF(y: Socket No.)	Returned when a command which is being executed in a socket specified by the cancel command is canceled. The completion message for the command is not returned.
No Socket	z0 6y 05 FF(y: Socket No.)	Returned when no command is executed in a socket specified by the cancel command, or when an invalid socket number is specified.
Command Not Executable	z0 6y 41 FF(y: Execution command Socket No. Inquiry command: 0)	Returned when a command cannot be executed due to current conditions. For example, when commands controlling the focus manually are received during auto focus.

5.1.2 Camera Control Command

Command	Function	Command Packet	Remark
AddressSet	Broadcast	88 30 0p FF	p : Address setting
IF_Clear	Broadcast	88 01 00 01 FF	I/F Clear
CAM_Power	On	8x 01 04 00 02 FF	Power ON/OFF
	Off	8x 01 04 00 03 FF	
CAM_Zoom	Stop	8x 01 04 07 00 FF	
	Tele(Standard)	8x 01 04 07 02 FF	
	Wide(Standard)	8x 01 04 07 03 FF	
	Tele(Variable)	8x 01 04 07 2p FF	p = 0(low) - 7(high)
	Wide(Variable)	8x 01 04 07 3p FF	
	Direct	8x 01 04 47 0p 0q 0r	

Command	Function	Command Packet	Remark
		0s FF	
CAM_Focus	Stop	8x 01 04 08 00 FF	
	Far(Standard)	8x 01 04 08 02 FF	
	Near(Standard)	8x 01 04 08 03 FF	
	Far(Variable)	8x 01 04 08 2p FF	p = 0(low) - 7(high)
	Near (Variable)	8x 01 04 08 3p FF	
	Direct	8x 01 04 48 0p 0q 0r 0s FF	pqrs: Focus Position
	Auto Focus	8x 01 04 38 02 FF	
	Manual Focus	8x 01 04 38 03 FF	
	One Push mode	8x 01 04 38 04 FF	
	One Push Triger	8x 01 04 18 01 FF	One Push Triger
CAM_Zoom Focus	Direct	8x 01 04 47 0p 0q 0r 0s 0t 0u 0v 0w FF	pqrs: Zoom Position tuvw: Focus Position
CAM_AF Sensitivity	High	8x 01 04 58 01 FF	Focus sensitivity Setting
	Normal	8x 01 04 58 02 FF	
	Low	8x 01 04 58 03 FF	
CAM_AF Zone	Top	8x 01 04 AA 00 FF	Focus Region Setting
	Center	8x 01 04 AA 01 FF	
	Bottom	8x 01 04 AA 02 FF	
	ALL	8x 01 04 AA 03 FF	
CAM_WB	Auto	8x 01 04 35 00 FF	
	2400K	8x 01 04 35 0C FF	
	2500K	8x 01 04 35 0D FF	

Command	Function	Command Packet	Remark
	2600K	8x 01 04 35 0E FF	
	2700K	8x 01 04 35 0F FF	
	2800K	8x 01 04 35 10 FF	
	2900K	8x 01 04 35 11 FF	
	3000K	8x 01 04 35 01 FF	
	3100K	8x 01 04 35 12 FF	
	3200K	8x 01 04 35 13 FF	
	3300K	8x 01 04 35 14 FF	
	3400K	8x 01 04 35 15 FF	
	3500K	8x 01 04 35 07 FF	
	3600K	8x 01 04 35 16 FF	
	3700K	8x 01 04 35 17 FF	
	3800k	8x 01 04 35 18 FF	
	3900K	8x 01 04 35 19 FF	
	4000k	8x 01 04 35 02 FF	
	4100K	8x 01 04 35 1A FF	
	4200K	8x 01 04 35 1B FF	
	4300K	8x 01 04 35 1C FF	
	4400K	8x 01 04 35 1D FF	
	4500K	8x 01 04 35 08 FF	
	4600K	8x 01 04 35 1E FF	
	4700K	8x 01 04 35 1F FF	
	4800K	8x 01 04 35 21 FF	
	4900K	8x 01 04 35 22 FF	

Command	Function	Command Packet	Remark
	5000K	8x 01 04 35 04 FF	
	5100K	8x 01 04 35 23 FF	
	5200K	8x 01 04 35 24 FF	
	5300K	8x 01 04 35 25 FF	
	5400K	8x 01 04 35 26 FF	
	5500K	8x 01 04 35 09 FF	
	5600K	8x 01 04 35 27 FF	
	5700K	8x 01 04 35 28 FF	
	5800K	8x 01 04 35 29 FF	
	5900K	8x 01 04 35 2A FF	
	6000K	8x 01 04 35 0A FF	
	6100K	8x 01 04 35 2B FF	
	6200K	8x 01 04 35 2C FF	
	6300K	8x 01 04 35 2D FF	
	6400K	8x 01 04 35 2E FF	
	6500K	8x 01 04 35 06 FF	
	6600K	8x 01 04 35 2F FF	
	6700K	8x 01 04 35 30 FF	
	6800K	8x 01 04 35 31 FF	
	6900K	8x 01 04 35 32 FF	
	7000K	8x 01 04 35 0B FF	
	7100K	8x 01 04 35 33 FF	
	One Push mode	8x 01 04 35 03 FF	
	One Push Trigger	8x 01 04 10 05 FF	One Push WB

Command	Function	Command Packet	Remark
			Trigger(Enabled during One Push WB mode)
	Manual	8x 01 04 35 05 FF	
CAM_AWB Sensitivity	Low	8x 01 04 A9 00 FF	WB Sensitivity Setting
	Normal	8x 01 04 A9 01 FF	
	High	8x 01 04 A9 02 FF	
CAM_RGain	Reset	8x 01 04 03 00 FF	Manual Control of R Gain
	Up	8x 01 04 03 02 FF	
	Down	8x 01 04 03 03 FF	
	Direct	8x 01 04 43 00 00 0p 0q FF	pq: R Gain
CAM_Bgain	Reset	8x 01 04 04 00 FF	Manual Control of B Gain
	Up	8x 01 04 04 02 FF	
	Down	8x 01 04 04 03 FF	
	Direct	8x 01 04 44 00 00 0p 0q FF	pq: B Gain
CAM_AE	Full Auto	8x 01 04 39 00 FF	Automatic Exposure mode
	Manual	8x 01 04 39 03 FF	Manual Control mode
	Shutter priority	8x 01 04 39 0A FF	Shutter Priority Automatic Exposure mode
	Iris priority	8x 01 04 39 0B FF	Iris Priority Automatic Exposure mode
	Bright	8x 01 04 39 0D FF	Bright mode
CAM_Shutter	Reset	8x 01 04 0A 00 FF	Shutter Setting
	Up	8x 01 04 0A 02 FF	
	Down	8x 01 04 0A 03 FF	

Command	Function	Command Packet	Remark
	Direct	8x 01 04 4A 00 00 0p 0q FF	pq: Shutter Position
CAM_Iris	Reset	8x 01 04 0B 00 FF	Iris Setting
	Up	8x 01 04 0B 02 FF	
	Down	8x 01 04 0B 03 FF	
	Direct	8x 01 04 4B 00 00 0p 0q FF	pq: Iris Position
CAM_Gain Limit	Reset	8x 01 04 0C 00 FF	Gain Limit Setting
	Up	8x 01 04 0C 02 FF	
	Down	8x 01 04 0C 03 FF	
	Gain Limit	8x 01 04 2C 0p FF	p: Gain Positon
CAM_Bright	Reset	8x 01 04 0D 00 FF	Bright Setting
	Up	8x 01 04 0D 02 FF	
	Down	8x 01 04 0D 03 FF	
	Direct	8x 01 04 4D 00 00 0p 0q FF	pq: Bright Positon
CAM_ExpCo mp	On	8x 01 04 3E 02 FF	Exposure Compensation ON/OFF
	Off	8x 01 04 3E 03 FF	
	Reset	8x 01 04 0E 00 FF	Exposure Compensation Amount Setting
	Up	8x 01 04 0E 02 FF	
	Down	8x 01 04 0E 03 FF	
	Direct	8x 01 04 4E 00 00 0p 0q FF	pq: ExpComp Position
CAM_Back Light	On	8x 01 04 33 02 FF	Back Light
	Off	8x 01 04 33 03 FF	Compensation
CAM_WDRS trength	Reset	8x 01 04 21 00 FF	WDR Level Setting
	Up	8x 01 04 21 02 FF	

Command	Function	Command Packet	Remark
	Down	8x 01 04 21 03 FF	
	Direct	8x 01 04 51 00 00 00 0p FF	p: WDR Level Positon
CAM_NR	2D	8x 01 04 53 0p FF	P=0-8 0:OFF
	3D	8x 01 04 54 0p FF	P=0-8 0:OFF
CAM_Gamma		8x 01 04 5B 0p FF	p = 0 – 4 0 : Default 1 : 0.45 2 : 0.50 3 : 0.55 4 : 0.63
CAM_Low-Light Mode	ON	8x 01 04 2D 01 FF	Low-Light Mode Setting
	OFF	8x 01 04 2D 00 FF	
CAM_Gain		8x 01 04 4C 00 00 0p 0q FF	pq : 0-20
CAM_PresetSpeed		8x 01 01 0p FF	p : 1-10
CAM_Flicker	OFF	8x 01 04 23 00 FF	OFF
	50HZ	8x 01 04 23 01 FF	50HZ
	60HZ	8x 01 04 23 02 FF	60HZ
CAM_Aperture	Reset	8x 01 04 02 00 FF	Aperture Control
	Up	8x 01 04 02 02 FF	
	Down	8x 01 04 02 03 FF	
	Direct	8x 01 04 42 00 00 0p 0q FF	pq: Aperture Gain
CAM_Picture effect	B&W-Mode	8x 01 04 63 04 FF	Picture effect Setting
	OFF	8x 01 04 63 00 FF	
CAM_Memory	Reset	8x 01 04 3F 00 pq FF	pq: Memory Number(=0 to 254)

Command	Function	Command Packet	Remark
	Set	8x 01 04 3F 01 pq FF	Corresponds to 0 to 9 on the Remote Commander
	Recall	8x 01 04 3F 02 pq FF	
CAM_LR_Reverse	On	8x 01 04 61 02 FF	Image Flip Horizontal ON/OFF
	Off	8x 01 04 61 03 FF	
CAM_Picture Flip	On	8x 01 04 66 02 FF	Image Flip Vertical ON/OFF
	Off	8x 01 04 66 03 FF	
CAM_Color Saturation	Direct	8x 01 04 49 00 00 00 0p FF	P=0-E 0:60% 1:70% 2:80% 3:90% 4:100% 5:110% 6:120% 7:130% 8:140% 9:150% 10:160% 11:160% 12:180% 13:190% 14:200%
CAM_IDWrite		8x 01 04 22 0p 0q 0r 0s FF	pqrs: Camera ID (=0000 to FFFF)
SYS_Menu	ON	8x 01 04 06 06 02 FF	Turn on the menu screen
	OFF	8x 01 04 06 06 03 FF	Turn off the menu screen
IR_Receive	ON	8x 01 06 08 02 FF	IR(remote commander)receive On/Off
	OFF	8x 01 06 08 03 FF	
CAM_Setting Reset	Reset	8x 01 04 A0 10 FF	Reset Factory Setting
CAM_Brightness	Direct	8x 01 04 A1 00 00 0p 0q FF	pq: Brightness Position
CAM_Contrast	Direct	8x 01 04 A2 00 00 0p 0q FF	pq: Contrast Position
CAM_Flip	OFF	8x 01 04 A4 00 FF	Single Command For

Command	Function	Command Packet	Remark
	Flip-H	8x 01 04 A4 01 FF	Video Flip
	Flip-V	8x 01 04 A4 02 FF	
	Flip-HV	8x 01 04 A4 03 FF	
CAM_Video System	Set Camera video system	8x 01 06 35 00 0p FF	P: 0~E Video format
Pan_tiltDrive	Up	8x 01 06 01 VV WW 03 01 FF	VV: Pan speed 0x01 (low speed) to 0x18 (high speed) WW: Tilt speed 0x01 (low speed) to 0x14 (high speed) YYYY: Pan Position ZZZZ: Tilt Position
	Down	8x 01 06 01 VV WW 03 02 FF	
	Left	8x 01 06 01 VV WW 01 03 FF	
	Right	8x 01 06 01 VV WW 02 03 FF	
	Upleft	8x 01 06 01 VV WW 01 01 FF	
	Upright	8x 01 06 01 VV WW 02 01 FF	
	DownLeft	8x 01 06 01 VV WW 01 02 FF	
	DownRight	8x 01 06 01 VV WW 02 02 FF	
	Stop	8x 01 06 01 VV WW 03 03 FF	
	AbsolutePosition	8x 01 06 02 VV WW 0Y 0Y 0Y 0Y 0Z 0Z 0Z 0Z FF	

Command	Function	Command Packet	Remark
	RelativePosition	8x 01 06 03 VV WW 0Y 0Y 0Y 0Y 0Z 0Z 0Z 0Z FF	
	Home	8x 01 06 04 FF	
	Reset	8x 01 06 05 FF	
Pan-tilt LimitSet	Set	8x 01 06 07 00 0W 0Y 0Y 0Y 0Y 0Z 0Z 0Z 0Z FF	W:1 Up Right 0:DownLeft YYYY: Pan Limit Position(TBD) ZZZZ: Tilt Limit Position(TBD)
	Clear	8x 01 06 07 01 0W 07 0F 0F 0F 07 0F 0F 0F FF	
Tracking	Tracking OFF	81 0A 01 32 00 00 03 00 FF	Tracking OFF/ON
	Tracking ON	81 0A 01 32 00 00 02 00 FF	
	Real time tracking mode	81 0A 01 32 00 00 02 00 FF	
	zone tracking mode	81 0A 01 32 00 00 02 01 FF	

5.1.3 Inquiry Command

Command	Command Packet	Return Packet	Remark
CAM_PowerInq	8x 09 04 00 FF	y0 50 02 FF	On
		y0 50 03 FF	Off(Standby)
CAM_ZoomPosition	8x 09 04 47 FF	y0 50 0p 0q 0r 0s FF	pqrs: Zoom Position
CAM_FocusA	8x 09 04 38 FF	y0 50 02 FF	Auto Focus

Command	Command Packet	Return Packet	Remark
FModelnq		y0 50 03 FF	Manual Focus
		y0 50 04 FF	One Push mode
CAM_FocusPosInq	8x 09 04 48 FF	y0 50 0p 0q 0r 0s FF	pqrs: Focus Position
CAM_AFSensitivityInq	8x 09 04 58 FF	y0 50 01 FF	High
		y0 50 02 FF	Normal
		y0 50 03 FF	Low
CAM_AFZoneInq	8x 09 04 AA FF	y0 50 00 FF	Top
		y0 50 01 FF	Center
		y0 50 02 FF	Bottom
		y0 50 03 FF	All
CAM_WBModelnq	8x 09 04 35 FF	y0 50 pq FF	Pq=WBMode
CAM_AWBsensitivityInq	8x 09 04 A9 FF	y0 50 00 FF	Low
		y0 50 01 FF	Normal
		y0 50 02 FF	High
CAM_RGainInq	8x 09 04 43 FF	y0 50 00 00 0p 0q FF	pq: R Gain
CAM_BGainInq	8x 09 04 44 FF	y0 50 00 00 0p 0q FF	pq: B Gain
CAM_AEModelnq	8x 09 04 39 FF	y0 50 00 FF	Full Auto
		y0 50 03 FF	Manual
		y0 50 0A FF	Shutter priority
		y0 50 0B FF	Iris priority
		y0 50 0D FF	Bright
CAM_Shutter	8x 09 04 4A FF	y0 50 00 00 0p 0q	pq: Shutter Position

Command	Command Packet	Return Packet	Remark
PosInq		FF	
CAM_IrisPosInq	8x 09 04 4B FF	y0 50 00 00 0p 0q FF	pq: Iris Position
CAM_GainLimitInq	8x 09 04 2C FF	y0 50 0p FF	p: Gain Positon
CAM_BrightPosInq	8x 09 04 4D FF	y0 50 00 00 0p 0q FF	pq: Bright Position
CAM_ExpCompModelInq	8x 09 04 3E FF	y0 50 02 FF	On
		y0 50 03 FF	Off
CAM_ExpCompPosInq	8x 09 04 4E FF	y0 50 00 00 0p 0q FF	pq: ExpComp Position
CAM_BacklightModelInq	8x 09 04 33 FF	y0 50 02 FF	On
		y0 50 03 FF	Off
CAM_WDRStrengthInq	8x 09 04 51 FF	y0 50 00 00 00 0p FF	p: WDR Strength
CAM_NRLevel(2D) Inq	8x 09 04 53 FF	y0 50 0p FF	P: 2DNRLevel
CAM_NRLevel(3D) Inq	8x 09 04 54 FF	y0 50 0p FF	P:3D NRLevel
CAM_FlickerModelInq	8x 09 04 55 FF	y0 50 0p FF	p: Flicker Settings(0: OFF, 1: 50Hz, 2:60Hz)
CAM_ApertureInq	8x 09 04 42 FF	y0 50 00 00 0p 0q FF	pq: Aperture Gain
CAM_PictureEffectModelInq	8x 09 04 63 FF	y0 50 00 FF	Off
		y0 50 04 FF	B&W
CAM_MemoryInq	8x 09 04 3F FF	y0 50 0p FF	p: Memory number last operated.
SYS_MenuMo	8x 09 06 06 FF	y0 50 02 FF	On

Command	Command Packet	Return Packet	Remark
delnq		y0 50 03 FF	Off
CAM_LR_ReverseInq	8x 09 04 61 FF	y0 50 02 FF	On
		y0 50 03 FF	Off
CAM_PictureFlipInq	8x 09 04 66 FF	y0 50 02 FF	On
		y0 50 03 FF	Off
CAM_ColorSaturationInq	8x 09 04 49 FF	y0 50 00 00 00 0p FF	p: Color Gain setting 0h (60%) to Eh (130%)
CAM_IDInq	8x 09 04 22 FF	y0 50 0p FF	p: Camera ID
IR_ReceiveInq	8x 09 06 08 FF	y0 50 02 FF	On
		y0 50 03 FF	Off
CAM_BrightnessInq	8x 09 04 A1 FF	y0 50 00 00 0p 0q FF	pq: Brightness Position
CAM_ContrastInq	8x 09 04 A2 FF	y0 50 00 00 0p 0q FF	pq: Contrast Position
CAM_FlipInq	8x 09 04 A4 FF	y0 50 00 FF	Off
		y0 50 01 FF	Flip-H
		y0 50 02 FF	Flip-V
		y0 50 03 FF	Flip-HV
CAM_GammaInq	8x 09 04 5B FF	y0 50 0p FF	p: Gamma setting

Command	Command Packet	Return Packet	Remark
CAM_VersionInq	8x 09 00 02 FF	y0 50 ab cd mn pq rs tu vw FF	ab cd : vender ID (0220) mn pq : model ID rs tu : ARM Version vw : reserve
VideoSystemInq	8x 09 06 23 FF	y0 50 pq FF	P: 0~E Video format 0:1080P60 1:1080P50 2:1080i60 3:1080i50 4:1080P30 5:1080P25 6:720P60 7:720P50 8 : 1080P59.94 9 : 1080i59.94 A : 1080P29.97 B : 720P59.9
Pan-tiltMaxSpeedInq	8x 09 06 11 FF	y0 50 ww zz FF	ww: Pan Max Speed zz: Tilt Max Speed
Pan-tiltPosInq	8x 09 06 12 FF	y0 50 0w 0w 0w 0w 0z 0z 0z 0z FF	www: Pan Position zzzz: Tilt Position

Note: [x] in the above table represents the address of the device to be operated, [y]=[x + 8].

5.2 Pelco-D Protocol Command List

Function	Byte1	Byte2	Byte3	Byte4	Byte5	Byte6	Byte7
Up	0xFF	Address	0x00	0x08	Pan Speed	Tilt Speed	SUM
Down	0xFF	Address	0x00	0x10	Pan Speed	Tilt Speed	SUM
Left	0xFF	Address	0x00	0x04	Pan Speed	Tilt Speed	SUM
Right	0xFF	Address	0x00	0x02	Pan Speed	Tilt Speed	SUM
Upleft	0xFF	Address	0x00	0x0C	Pan Speed	Tilt Speed	SUM
Upright	0xFF	Address	0x00	0x0A	Pan Speed	Tilt Speed	SUM
DownLeft	0xFF	Address	0x00	0x14	Pan Speed	Tilt Speed	SUM
DownRight	0xFF	Address	0x00	0x12	Pan Speed	Tilt Speed	SUM
Zoom In	0xFF	Address	0x00	0x20	0x00	0x00	SUM
Zoom Out	0xFF	Address	0x00	0x40	0x00	0x00	SUM
Focus Far	0xFF	Address	0x00	0x80	0x00	0x00	SUM
Focus Near	0xFF	Address	0x01	0x00	0x00	0x00	SUM
Stop	0xFF	Address	0x00	0x00	0x00	0x00	SUM
Set Preset	0xFF	Address	0x00	0x03	0x00	Preset ID	SUM
Clear Preset	0xFF	Address	0x00	0x05	0x00	Preset ID	SUM
Call Preset	0xFF	Address	0x00	0x07	0x00	Preset ID	SUM
Query Pan	0xFF	Address	0x00	0x51	0x00	0x00	SUM

Function	Byte1	Byte2	Byte3	Byte4	Byte5	Byte6	Byte7
Position							
Query Pan Position Response	0xFF	Address	0x00	0x59	Value High Byte	Value Low Byte	SUM
Query Tilt Position	0xFF	Address	0x00	0x53	0x00	0x00	SUM
Query Tilt Position Response	0xFF	Address	0x00	0x5B	Value High Byte	Value Low Byte	SUM
Query Zoom Position	0xFF	Address	0x00	0x55	0x00	0x00	SUM
Query Zoom Position Response	0xFF	Address	0x00	0x5D	Value High Byte	Value Low Byte	SUM

5.3 Pelco-P Protocol Command List

Function	Byte1	Byte2	Byte 3	Byte 4	Byte5	Byte6	Byte 7	Byte 8
Up	0xA0	Address	0x00	0x08	Pan Speed	Tilt Speed	0xAF	XOR
Down	0xA0	Address	0x00	0x10	Pan Speed	Tilt Speed	0xAF	XOR
Left	0xA0	Address	0x00	0x04	Pan Speed	Tilt Speed	0xAF	XOR
Right	0xA0	Address	0x00	0x02	Pan Speed	Tilt Speed	0xAF	XOR
Upleft	0xA0	Address	0x00	0x0C	Pan Speed	Tilt Speed	0xAF	XOR
Upright	0xA0	Address	0x00	0x0A	Pan Speed	Tilt Speed	0xAF	XOR

DownLeft	0xA0	Address	0x00	0x14	Pan Speed	Tilt Speed	0xAF	XOR
DownRight	0xA0	Address	0x00	0x12	Pan Speed	Tilt Speed	0xAF	XOR
Zoom In	0xA0	Address	0x00	0x20	0x00	0x00	0xAF	XOR
Zoom Out	0xA0	Address	0x00	0x40	0x00	0x00	0xAF	XOR
Stop	0xA0	Address	0x00	0x00	0x00	0x00	0xAF	XOR
Focus Far	0xA0	Address	0x01	0x00	0x00	0x00	0xAF	XOR
Focus Near	0xA0	Address	0x02	0x00	0x00	0x00	0xAF	XOR
Set Preset	0xA0	Address	0x00	0x03	0x00	Preset ID	0xAF	XOR
Clear Preset	0xA0	Address	0x00	0x05	0x00	Preset ID	0xAF	XOR
Call Preset	0xA0	Address	0x00	0x07	0x00	Preset ID	0xAF	XOR
Query Pan Position	0xA0	Address	0x00	0x51	0x00	0x00	0xAF	XOR
Query Pan Position Response	0xA0	Address	0x00	0x59	Value High Byte	Value Low Byte	0xAF	XOR
Query Tilt Position	0xA0	Address	0x00	0x53	0x00	0x00	0xAF	XOR
Query Tilt Position Response	0xA0	Address	0x00	0x5B	Value High Byte	Value Low Byte	0xAF	XOR
Query Zoom Position	0xA0	Address	0x00	0x55	0x00	0x00	0xAF	XOR
Query Zoom Position Response	0xA0	Address	0x00	0x5D	Value High Byte	Value Low Byte	0xAF	XOR

6. Maintenance and Troubleshooting

6.1 Camera Maintenance

- 1) If the camera will not be used for a long time, please turn off the power switch.
- 2) Use a soft cloth or lotion-free tissue to clean the camera body.
- 3) Use a soft dry lint-free cloth to clean the lens. If the camera is very dirty, clean it with a diluted neutral detergent. Do not use any type of solvent or harsh detergent, which may damage the surface.

6.2 Troubleshooting

● No image

1. Check whether the power cord is connected, voltage is OK, POWER lamp is lit.
2. Check whether the camera can “self-test” after startup (camera will do a brief pan-tilt tour and return to the home position, or if preset 0 is set, the camera will return to the preset 0 position).
3. Check whether the DIP switch at the bottom is in normal working mode (refer to Table 2-9)
4. Check whether the video output and video display cable are normal

● Abnormal display of image

1. Check whether the video output cable or video display is normal

● Image dithering when zoom-in or zoom-out

1. Check whether the camera installation position is solid
2. Check whether there is shaking machine or objects around the camera

● Remote controller can not work

1. Remote control address is set to 1 (if the machine is set back to the factory defaults, remote control addresses need to be back to 1 too)
2. Check whether the battery is installed on the remote controller or low .
3. Check the camera working mode is the normal operating mode (see Table 2-9)
4. Check the menu whether is closed, camera control through remote controller is only available after exiting the menu. If video output from LAN, menu will not be

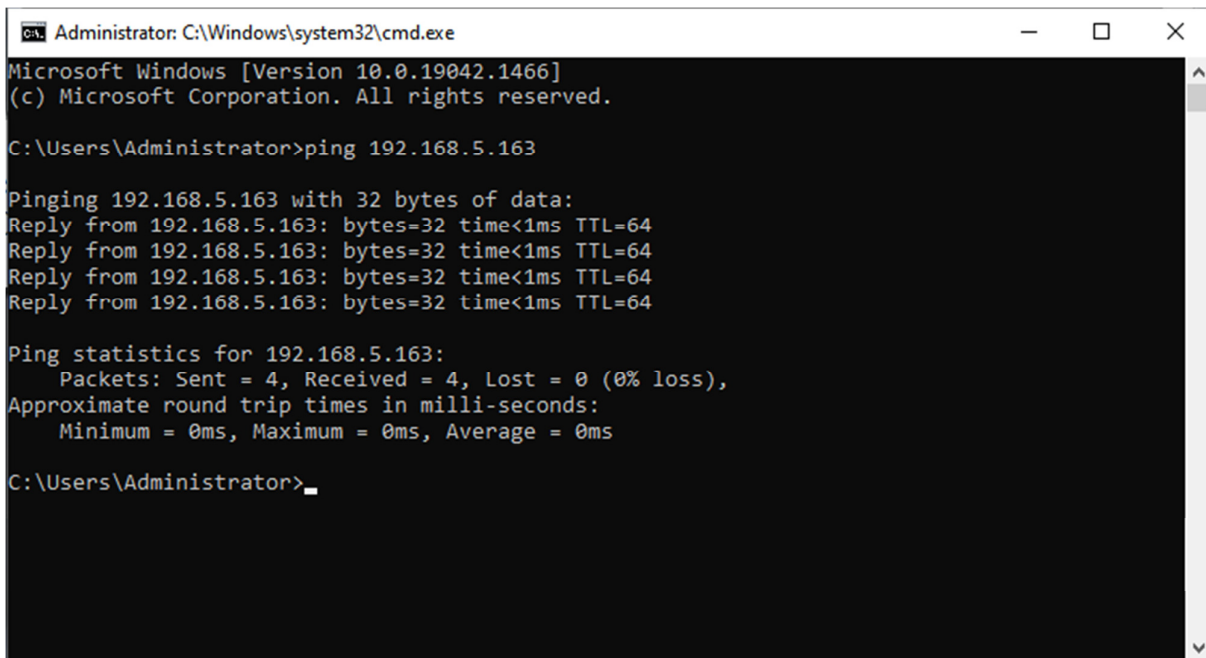
displayed, menu will automatically exist 30s later, then it can be controlled by remote controller.

● Serial port can not work

1. Check whether the camera serial device protocol, baud rate, address is consistent
2. Check whether the control cable is connected properly
3. Check whether the camera working mode is the normal operating mode (see Table 2.9)

● Web pages can not log in

1. Check whether the camera is showing normally.
2. Check whether the network cable is connected properly (Ethernet port yellow light flashes to indicate normal network cable connection)
3. Check whether your computer is added the segment and the segment is consistent with the IP address of the camera
4. Click "Start" and select "Run" and then type "cmd" in the computer; Click "OK" then turn on a DOS command window to enter ping 192.168.5.163. Press the Enter key to appear message as follows: Description network connection is normal



```
Administrator: C:\Windows\system32\cmd.exe
Microsoft Windows [Version 10.0.19042.1466]
(c) Microsoft Corporation. All rights reserved.

C:\Users\Administrator>ping 192.168.5.163

Pinging 192.168.5.163 with 32 bytes of data:
Reply from 192.168.5.163: bytes=32 time<1ms TTL=64
Reply from 192.168.5.163: bytes=32 time<1ms TTL=64
Reply from 192.168.5.163: bytes=32 time<1ms TTL=64
Reply from 192.168.5.163: bytes=32 time<1ms TTL=64

Ping statistics for 192.168.5.163:
    Packets: Sent = 4, Received = 4, Lost = 0 (0% loss),
    Approximate round trip times in milli-seconds:
        Minimum = 0ms, Maximum = 0ms, Average = 0ms

C:\Users\Administrator>_
```